



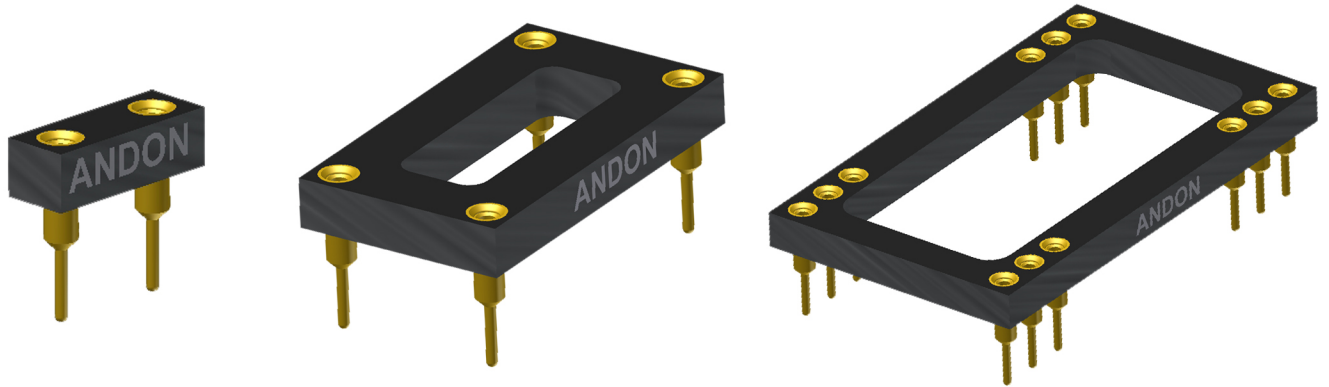
**ANDON**  
INTERCONNECTION SPECIALISTS



RoHS Compliant  
ISO 9001  
Certified

## HIGH RELIABILITY SOCKETS FOR

**ROHM**  
SEMICONDUCTOR



**Featuring Andon's Unique Senstac™ Contact**

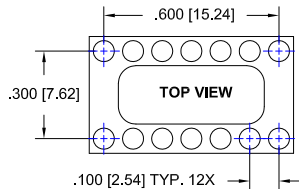
ROHM CO.,LTD. is a trade mark of ROHM CO.,LTD.

ROHM CO.,LTD.						
ROHM CO.,LTD Model Number	Andon Part Number Replace "XXX" with Terminal Type	Terminal Type		Pin Ø [in]	Figure Number	Page Number
		Thru-Hole	Surface Mount			
BM2P011	C10-308-07-XXX-R27-L14	01S	93S	.018	4	2
BM2P012	C10-308-07-XXX-R27-L14	01S	93S	.018	4	2
BM2P013	C10-308-07-XXX-R27-L14	01S	93S	.018	4	2
BM2P014	C10-308-07-XXX-R27-L14	01S	93S	.018	4	2
BM2P031	C10-308-07-XXX-R27-L14	01S	93S	.018	4	2
BM2P032	C10-308-07-XXX-R27-L14	01S	93S	.018	4	2
BM2P033	C10-308-07-XXX-R27-L14	01S	93S	.018	4	2
BM2P034	C10-308-07-XXX-R27-L14	01S	93S	.018	4	2
BM2P051	C10-308-07-XXX-R27-L14	01S	93S	.018	4	2
BM2P051F	C10-308-07-XXX-R27-L14	01S	93S	.018	4	2
BM2P052	C10-308-07-XXX-R27-L14	01S	93S	.018	4	2
BM2P052F	C10-308-07-XXX-R27-L14	01S	93S	.018	4	2
BM2P053	C10-308-07-XXX-R27-L14	01S	93S	.018	4	2
BM2P053F	C10-308-07-XXX-R27-L14	01S	93S	.018	4	2
BM2P054	C10-308-07-XXX-R27-L14	01S	93S	.018	4	2
BM2P054F	C10-308-07-XXX-R27-L14	01S	93S	.018	4	2
BD7679G	C10-308-07-XXX-R27-L14	01S	93S	.018	4	2
BD7682FJ-LB	C10-308-07-XXX-R27-L14	01S	93S	.018	4	2
BM1051F	C10-308-07-XXX-R27-L14	01S	93S	.018	4	2
BD7683FJ-LB	C10-308-07-XXX-R27-L14	01S	93S	.018	4	2
BD7684FJ-LB	C10-308-07-XXX-R27-L14	01S	93S	.018	4	2
BD7685FJ-LB	C10-308-07-XXX-R27-L14	01S	93S	.018	4	2
BD7672BG	C10-308-07-XXX-R27-L14	01S	93S	.018	4	2
BD7673AG	C10-308-07-XXX-R27-L14	01S	93S	.018	4	2
BM1050AF-G	C10-308-07-XXX-R27-L14	01S	93S	.018	4	2
BM1P061FJ	C10-308-07-XXX-R27-L14	01S	93S	.018	4	2
BM1P062FJ	C10-308-07-XXX-R27-L14	01S	93S	.018	4	2
BM1P065FJ	C10-308-07-XXX-R27-L14	01S	93S	.018	4	2
BM1P066FJ	C10-308-07-XXX-R27-L14	01S	93S	.018	4	2
BM1P067FJ	C10-308-07-XXX-R27-L14	01S	93S	.018	4	2
BA12003B	C10-316-16-XXX-R27-L14	01S	93S	.018	2	2
BA12003BF	C10-316-16-XXX-R27-L14	01S	93S	.018	2	2
BA12004B	C10-316-16-XXX-R27-L14	01S	93S	.018	2	2
BA12004BF	C10-316-16-XXX-R27-L14	01S	93S	.018	2	2
BU4584B	C10-314-14-01-XXX-R27-L14	01S	93S	.018	1	2
BU4081B	C10-314-14-01-XXX-R27-L14	01S	93S	.018	1	2
BU4066BC	C10-314-14-01-XXX-R27-L14	01S	93S	.018	1	2
BU4030B	C10-314-14-01-XXX-R27-L14	01S	93S	.018	1	2
BU4069UB	C10-314-14-01-XXX-R27-L14	01S	93S	.018	1	2
BU4001B	C10-314-14-01-XXX-R27-L14	01S	93S	.018	1	2
BU4552B	C10-316-16-XXX-R27-L14	01S	93S	.018	2	2
BU4015B	C10-316-16-XXX-R27-L14	01S	93S	.018	2	2
BU4053BC	C10-316-16-XXX-R27-L14	01S	93S	.018	2	2
BU4051B1	C10-316-16-XXX-R27-L14	01S	93S	.018	2	2
BU4028B	C10-316-16-XXX-R27-L14	01S	93S	.018	2	2
BU4052BC	C10-316-16-XXX-R27-L14	01S	93S	.018	2	2
BU4094BC	C10-316-16-XXX-R27-L14	01S	93S	.018	2	2
BU4538B	C10-316-16-XXX-R27-L14	01S	93S	.018	2	2
BM2P011	C10-308-07-XXX-R27-L14	01S	93S	.018	4	2
BM2P012	C10-308-07-XXX-R27-L14	01S	93S	.018	4	2
BM2P014	C10-308-07-XXX-R27-L14	01S	93S	.018	4	2
BM2P031	C10-308-07-XXX-R27-L14	01S	93S	.018	4	2
BM2P032	C10-308-07-XXX-R27-L14	01S	93S	.018	4	2
BM2P033	C10-308-07-XXX-R27-L14	01S	93S	.018	4	2
BM2P034	C10-308-07-XXX-R27-L14	01S	93S	.018	4	2

See last page for other mounting types including low profile options.  
Heat sink socket available to reduce heat and noise. Contact Andon for details.

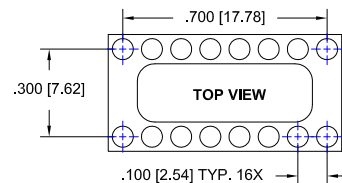
ROHM CO.,LTD.						
ROHM CO.,LTD Model Number	Andon Part Number Replace "XXX" with Terminal Type	Terminal Type		Pin Ø [in]	Figure Number	Page Number
		Thru-Hole	Surface Mount			
BM2P051	C10-308-07-XXX-R27-L14	01S	93S	.018	4	2
BM2P052	C10-308-07-XXX-R27-L14	01S	93S	.018	4	2
BM2P053	C10-308-07-XXX-R27-L14	01S	93S	.018	4	2
BM2P054	C10-308-07-XXX-R27-L14	01S	93S	.018	4	2
BM2P091	C10-308-07-XXX-R27-L14	01S	93S	.018	4	2
BM2P092	C10-308-07-XXX-R27-L14	01S	93S	.018	4	2
BM2P093	C10-308-07-XXX-R27-L14	01S	93S	.018	4	2
MM2P094	C10-308-07-XXX-R27-L14	01S	93S	.018	4	2
BM20051F	C10-308-07-XXX-R27-L14	01S	93S	.018	4	2
BM20052F	C10-308-07-XXX-R27-L14	01S	93S	.018	4	2
BM20053F	C10-308-07-XXX-R27-L14	01S	93S	.018	4	2
BM20054F	C10-308-07-XXX-R27-L14	01S	93S	.018	4	2
SCS240KE2	CSP215-03-01-XXX-R27-L14	436P55	440P55	.060	3	2

See last page for other mounting types including low profile options.  
Heat sink socket available to reduce heat and noise. Contact Andon for details.



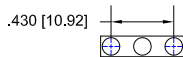
**FIG. 1**

Thru-Hole: C10-314-14-01-01S-R27-L14  
Surface Mount: C10-314-14-01-93S-R27-L14



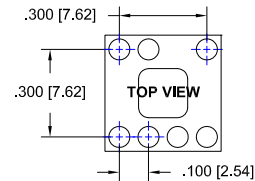
**FIG. 2**

Thru-Hole: C10-316-16-01-01S-R27-L14  
Surface Mount: C10-316-16-01-93S-R27-L14



**FIG. 3**

Thru-Hole: CSP215-03-01-436P55-R27-L14  
Surface Mount: CSP215-03-01-440P55-R27-L14



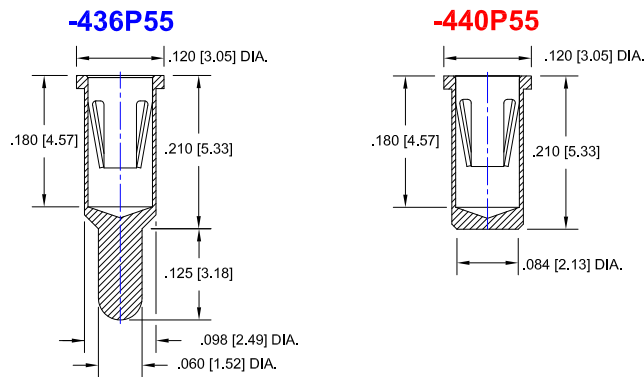
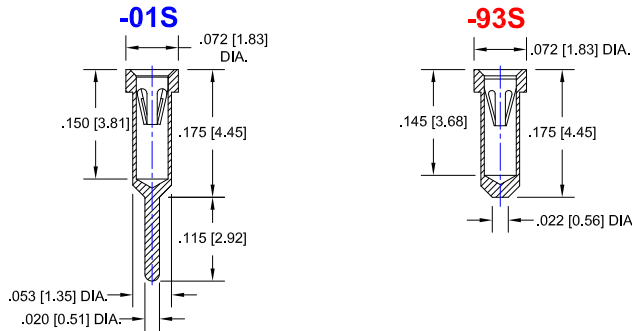
**FIG. 4**

Thru-Hole: C10-308-07-01-01S-R27-L14  
Surface Mount: C10-308-07-01-93S-R27-L14

## ROHM CO.,LTD. *Continued*

### Socket Terminal Details

Cross Section View Shown Units: in[mm]



#### Material:

Insulator: Hi-Temp UL 94V-O  
Terminal: Brass, per ASTM-B16  
Contact: BeCu, Per ASTM-B194

#### Plating: RoHS COMPLIANT

R27 TERMINAL: GOLD / CONTACT: GOLD

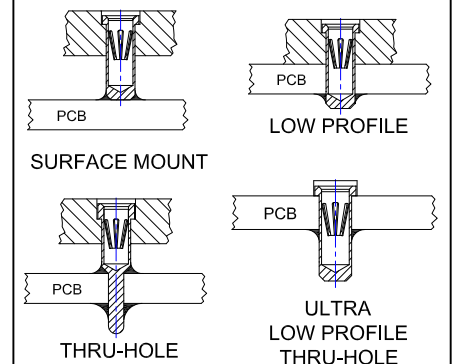
R17 TERMINAL: TIN / CONTACT: GOLD

OTHER PLATINGS AVAILABLE

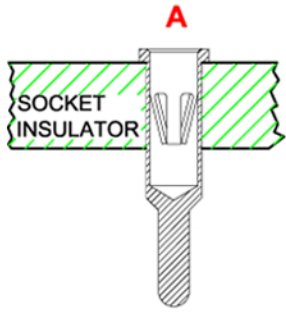
#### Terminal Acceptance and Forces

Thru Hole Terminals				Surface Mount Terminals			
Thru Hole Terminal	Accepts Pin Diameter	Insertion Force	Withdrawal Force	Surface Mount Terminal	Accepts Pin Diameter	Insertion Force	Withdrawal Force
-436P55	Ø.060 [Ø1.52]	15.5 oz Avg.	2.1 oz Min	-440P55	Ø.060 [Ø1.52]	15.5 oz Avg.	2.1 oz Min
-01S	Ø.018 [Ø0.46]	9.0 oz Avg.	2.0 oz Min	-93S	Ø.018 [Ø0.46]	9.0 oz Avg.	2.0 oz Min

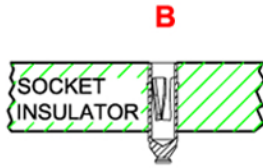
#### MOUNTING OPTIONS



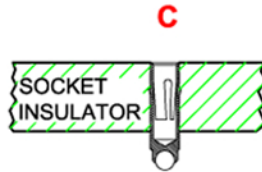
**Mounting Options**



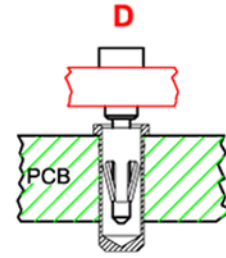
**THRU-HOLE**



**SMD-FLAT FOOT**



**ROLLERBALL**



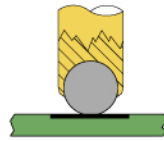
PCB FOR THRU-HOLE  
INSULATOR FOR SMD

**CARRIER  
WITH OR WITHOUT  
SOLDER  
WASHER**



**PIN SOCKET  
BULK  
WITH OR WITHOUT  
SOLDER  
WASHER**

**ROLLERBALL®  
SOCKET**



**BEFORE SOLDERING**

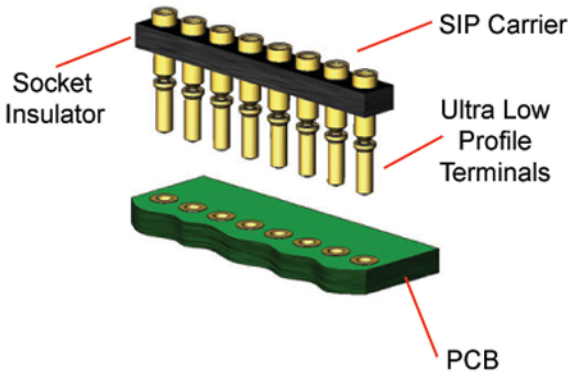
**ROLLERBALL®  
SOCKET**



**AFTER SOLDERING**

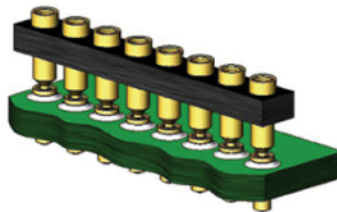
**ULTRA LOW PROFILE SIP/DIP/PGA CARRIER ASSEMBLY**

**Before Soldering**

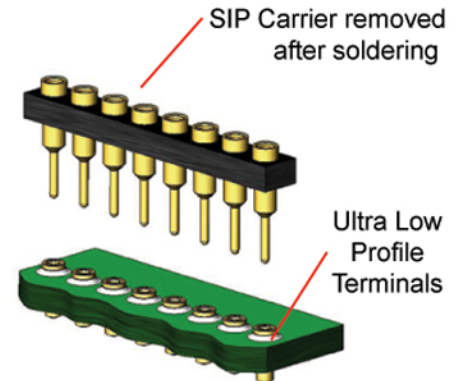


Type D

**During Soldering**



**After Soldering**



Available with or without solder washer