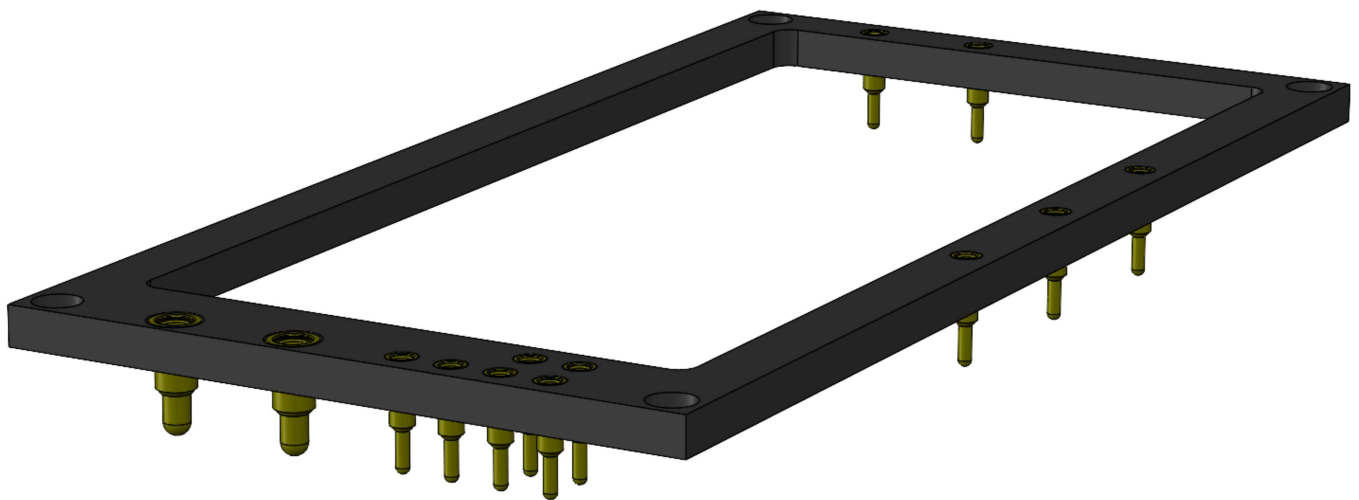




***High-Reliability Power Converter
Sockets for
P-DUKE POWER***



***P-DUKE
POWER***



Featuring Andon's Unique Robust Contact

P-DUKE POWER and the P-DUKE POWER logo are registered trademarks of P-DUKE Technology Co., Ltd.

P-DUKE POWER Part Number	Andon Part Number Replace "XXX" With terminal Type	Terminal Type		Pin Ø [in]	Page Number	Figure Number
		Thru-Hole	Surface Mount			
UDS(H)03-24S05	CSP079-05-02-XXX-R27-L14	01P28	93P28	0.026	20	2
UDS(H)03-24S09	CSP079-05-02-XXX-R27-L14	01P28	93P28	0.026	20	2
UDS(H)03-24S12	CSP079-05-02-XXX-R27-L14	01P28	93P28	0.026	20	2
UDS(H)03-24S15	CSP079-05-02-XXX-R27-L14	01P28	93P28	0.026	20	2
UDS(H)03-24S24	CSP079-05-02-XXX-R27-L14	01P28	93P28	0.026	20	2
UDS(H)03-24S3P3	CSP079-05-02-XXX-R27-L14	01P28	93P28	0.026	20	2
UDS(H)03-48D05	CSP079-05-02-XXX-R27-L14	01P28	93P28	0.026	20	2
UDS(H)03-48D12	CSP079-05-02-XXX-R27-L14	01P28	93P28	0.026	20	2
UDS(H)03-48D15	CSP079-05-02-XXX-R27-L14	01P28	93P28	0.026	20	2
UDS(H)03-48S05	CSP079-05-02-XXX-R27-L14	01P28	93P28	0.026	20	2
UDS(H)03-48S09	CSP079-05-02-XXX-R27-L14	01P28	93P28	0.026	20	2
UDS(H)03-48S12	CSP079-05-02-XXX-R27-L14	01P28	93P28	0.026	20	2
UDS(H)03-48S15	CSP079-05-02-XXX-R27-L14	01P28	93P28	0.026	20	2
UDS(H)03-48S24	CSP079-05-02-XXX-R27-L14	01P28	93P28	0.026	20	2
UDS(H)03-48S3P3	CSP079-05-02-XXX-R27-L14	01P28	93P28	0.026	20	2

Heat sink socket available to reduce heat and noise. Contact Andon for details.

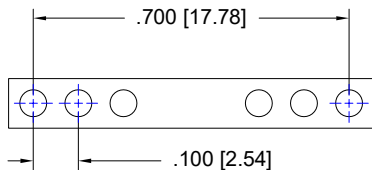


FIG.1
Thru-Hole: C10-008-06-01-01P28-R27-L14
Surface Mount: C10-008-06-01-93P28-R27-L14

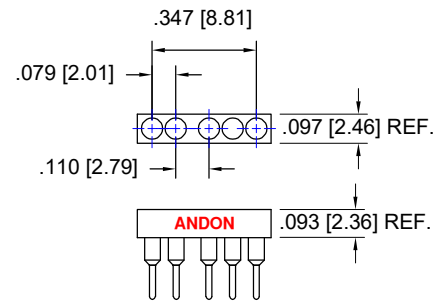


FIG.2
Thru-Hole: CSP079-05-02-01P28-R27-L14
Surface Mount: CSP079-05-02-93P28-R27-L14

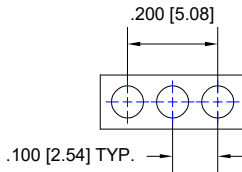


FIG.3
Thru-Hole: C10-003-03-01-01P28-R27-L14
Surface Mount: C10-003-03-01-93P28-R27-L14

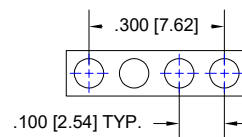


FIG.4
Thru-Hole: C10-004-04-01-01P28-R27-L14
Surface Mount: C10-004-04-01-93P28-R27-L14

Top View Shown Units: in [mm]

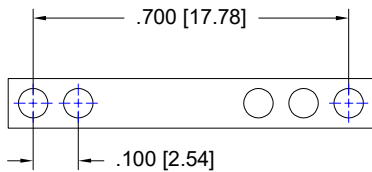


FIG.5

Thru-Hole: C10-008-05-01-295V-R27-L14
Surface Mount: C10-008-05-01-439V-R27-L14

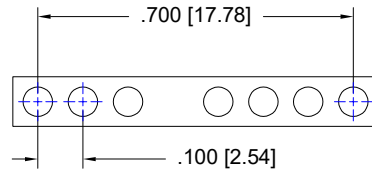


FIG.6

Thru-Hole: C10-008-07-01-01P28-R27-L14
Surface Mount: C10-008-07-01-93P28-R27-L14

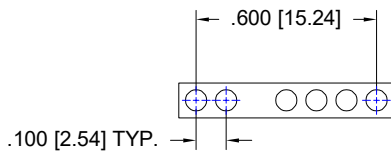


FIG.7

Thru-Hole: C10-007-06-01-01P28-R27-L14
Surface Mount: C10-007-06-01-93P28-R27-L14

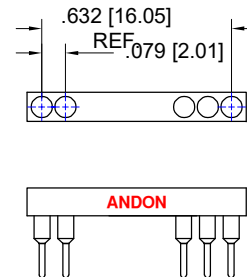


FIG.8

Thru-Hole: CSP079-09-05-01-01P28-R27-L14
Surface Mount: CSP079-09-05-01-93P28-R27-L14

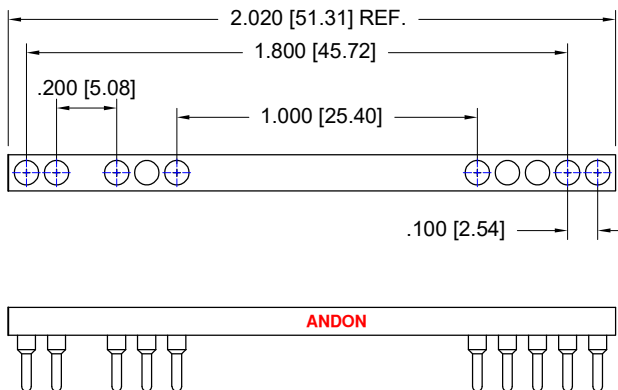


FIG.9

Thru-Hole: C10-19-11-01-295V-R27-L14
Surface Mount: C10-19-11-01-439V-R27-L14

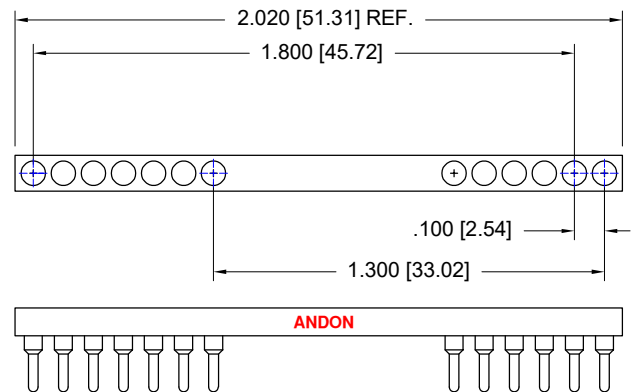


FIG.10

Thru-Hole: C10-19-13-01-295V-R27-L14
Surface Mount: C10-19-13-01-439V-R27-L14

Heat sink socket available to reduce heat and noise. Contact Andon for details.

Top View Shown Units: in [mm]

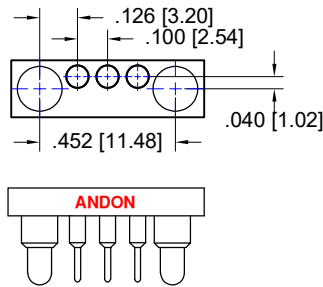


FIG.11

Thru-Hole: CSP040-05-01-**633P28P72**-R27-L14
Surface Mount: CSP040-05-01-**634P28P72**-R27-L14

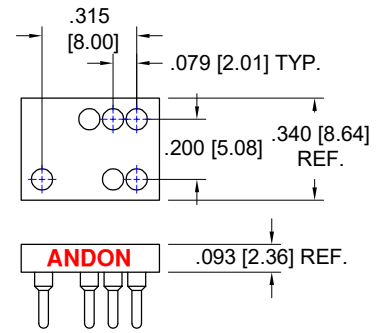


FIG.12

Thru-Hole: CSP200-06-01-**01P28**-R27-L14
Surface Mount: CSP200-06-01-**93P28**-R27-L14

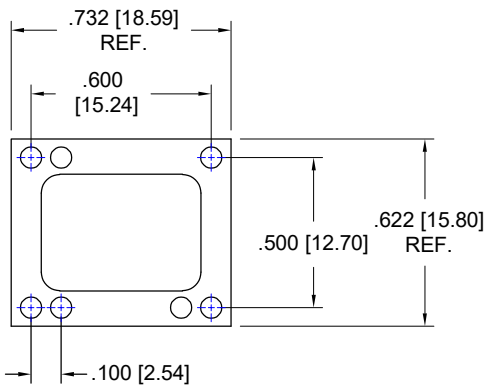


FIG.13

Thru-Hole: C10-514-07-01-**01P28**-R27-L14
Surface Mount: C10-514-07-01-**93P28**-R27-L14

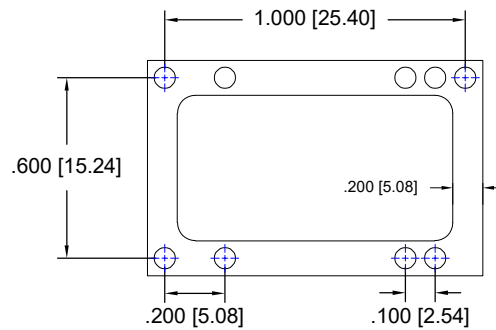


FIG.14

Thru-Hole: C10-622-09-03-**01S**-R27-L14
Surface Mount: C10-622-09-03-**93S**-R27-L14

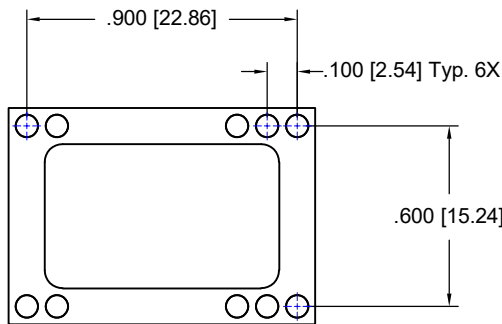


FIG.15

Thru-Hole: C10-620-10-02-**01S**-R27-L14
Surface Mount: C10-620-10-02-**93S**-R27-L14

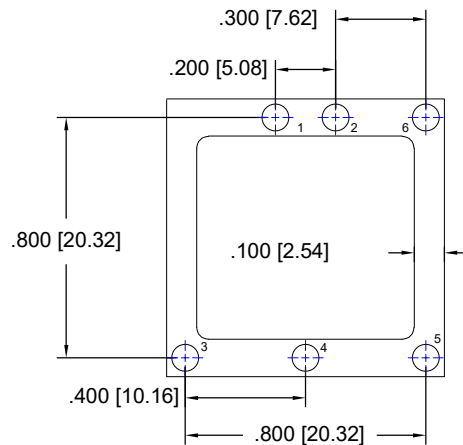


FIG.16

Thru-Hole: C10-818-06-01-**433E**-R27-L14
Surface Mount: C10-818-06-01-**285E**-R27-L14

Heat sink socket available to reduce heat and noise. Contact Andon for details.

Top View Shown Units: in [mm]

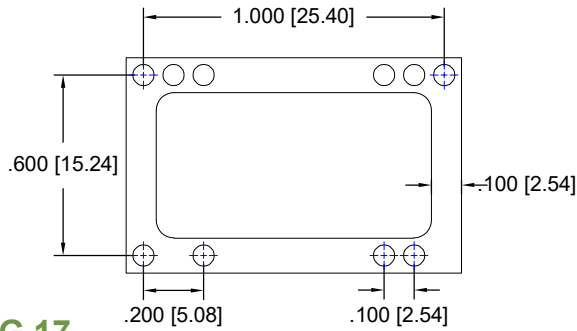


FIG.17
Thru-Hole: C10-622-10-01-01S-R27-L14
Surface Mount: C10-622-10-01-93S-R27-L14

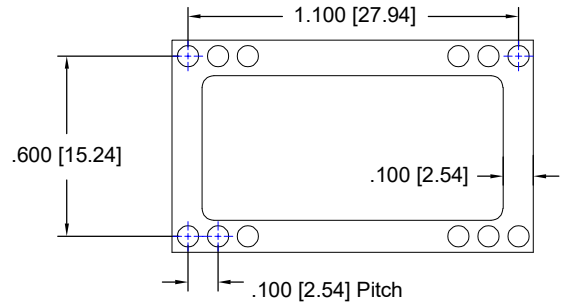


FIG.18
Thru-Hole: C10-624-12-01-01P28-R27-L14
Surface Mount: C10-624-12-01-93P28-R27-L14

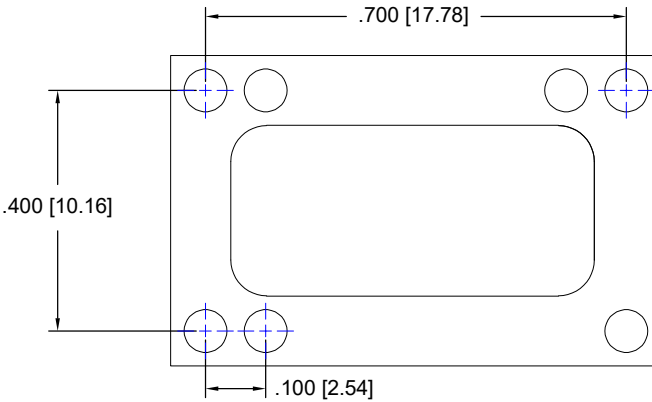


FIG.19
Thru-Hole: C10-416-07-01-01P28-R27-L14
Surface Mount: C10-416-07-01-93P28-R27-L14

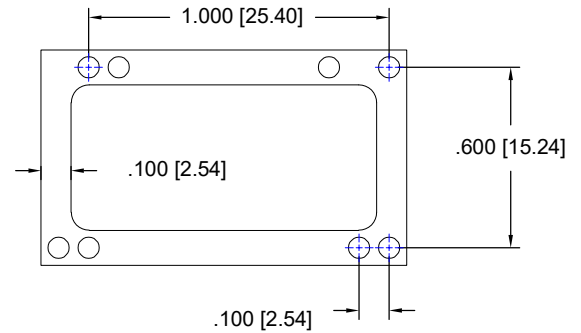


FIG.20
Thru-Hole: C10-624-08-05-01P28-R27-L14
Surface Mount: C10-624-08-05-93P28-R27-L14

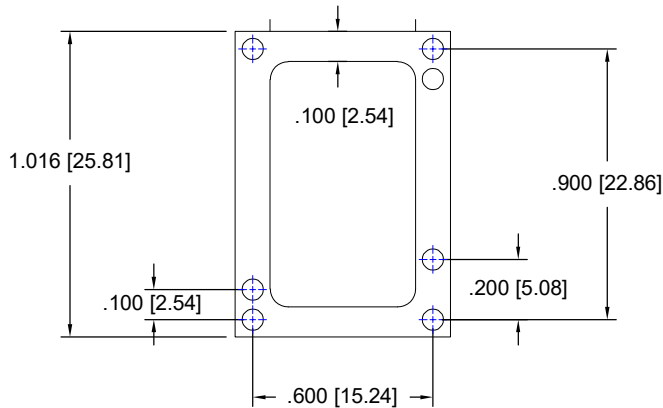


FIG.21
Thru-Hole: C10-624-07-03-01P28-R27-L14
Surface Mount: C10-624-07-03-93P28-R27-L14

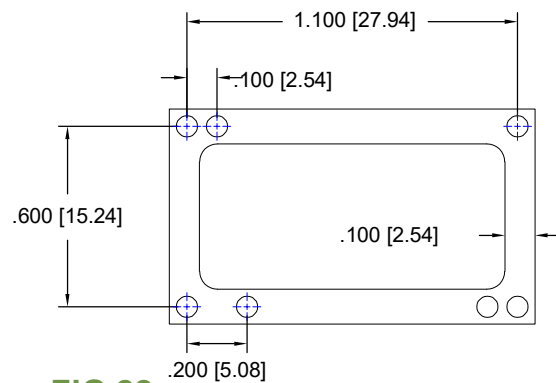


FIG.22
Thru-Hole: C10-624-07-02-01P28-R27-L14
Surface Mount: C10-624-07-02-93P28-R27-L14

Heat sink socket available to reduce heat and noise. Contact Andon for details.

Top View Shown Units: in [mm]

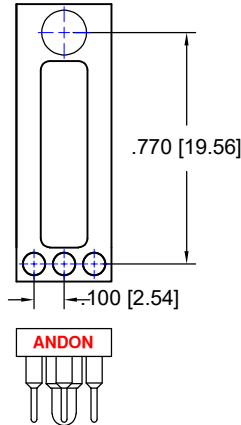


FIG.23

Thru-Hole: CSP770-04-01-633P28P72-R27-L14
Surface Mount: CSP770-04-01-634P28P72-R27-L14

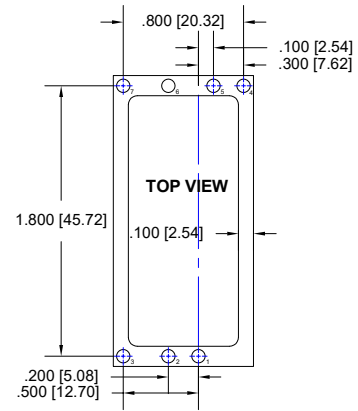
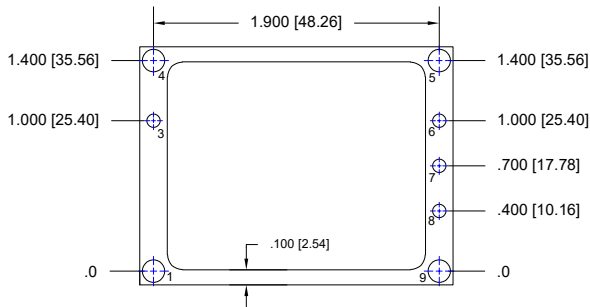


FIG.24

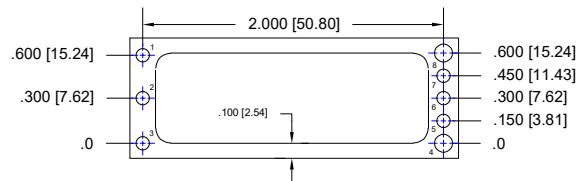
Thru-Hole: C10-1818-07-05-433E-R27-L14
Surface Mount: C10-1818-07-05-285E-R27-L14



Pins 3, 6-8 are \varnothing .040 [\varnothing 1.02]
Pins 1, 4, 5, and 9 are \varnothing .080 [\varnothing 2.03]

FIG.25

Thru-Hole: CSP1900-08-03-507EP72-R27-L14
Surface Mount: CSP1900-08-03-508EP72-R27-L14

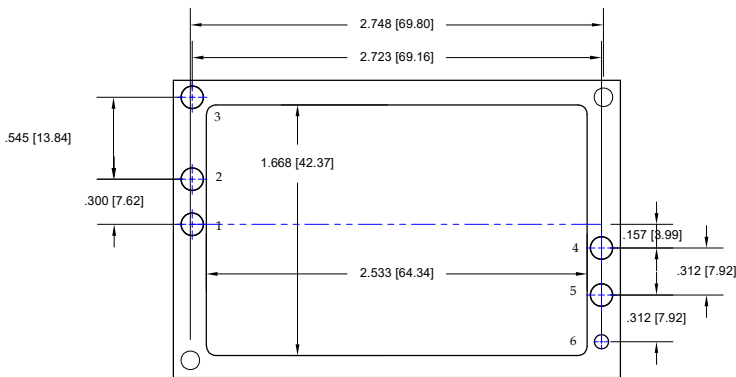


Pins 1-3, and 5 are \varnothing .040 [\varnothing 1.02]
Pins 4 & 6 are \varnothing .062 [\varnothing 1.57]

FIG.26

Thru-Hole: C15-2010-08-01-502EP55-R27-L14
Surface Mount: C15-2010-08-01-503EP55-R27-L14

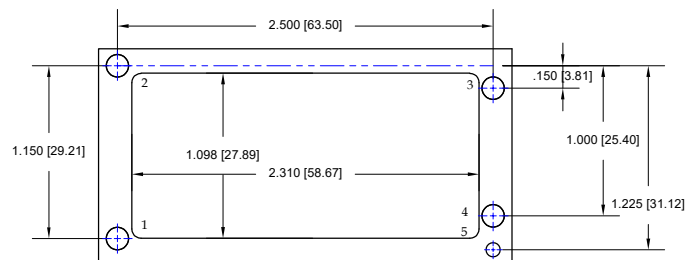
Thru-Hole: C15-2010-08-01-433E-R27-L14
Surface Mount: C15-2010-08-01-285E-R27-L14



PIN 6 IS .040 [1.02mm] DIA.
PINS 1-5 ARE .080 [2.03mm] DIA.

FIG.27

Thru-Hole: CSP2723-06-01-507EP72-R27-L14
Surface Mount: CSP2723-06-01-508EP72-R27-L14



PIN 5 IS .040 [1.02mm] DIA.
PINS 1-4 ARE .080 [2.03mm] DIA.

FIG.28

Thru-Hole: CSP2500-05-01-507EP72-R27-L14
Surface Mount: CSP2500-05-01-508EP72-R27-L14

Heat sink socket available to reduce heat and noise. Contact Andon for details.

Top View Shown Units: in [mm]

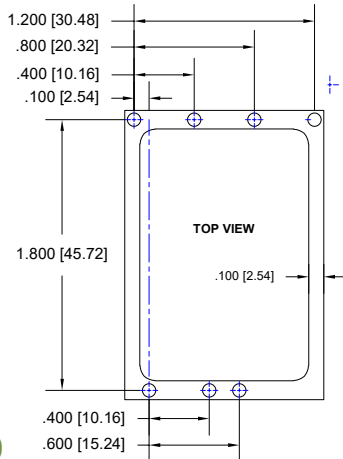


FIG.29
Thru-Hole: C10-1826-07-02-433E-R27-L14
Surface Mount: C10-1826-07-02-285E-R27-L14

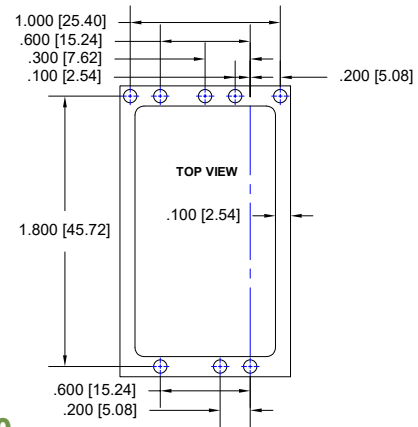


FIG.30
Thru-Hole: C10-1822-08-01-433E-R27-L14
Surface Mount: C10-1822-08-01-285E-R27-L14

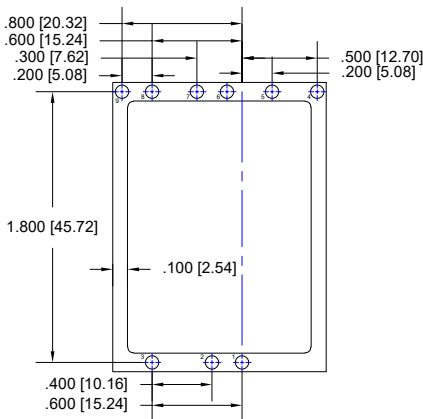
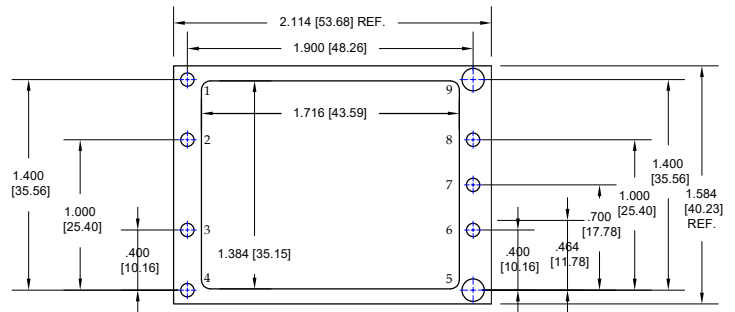
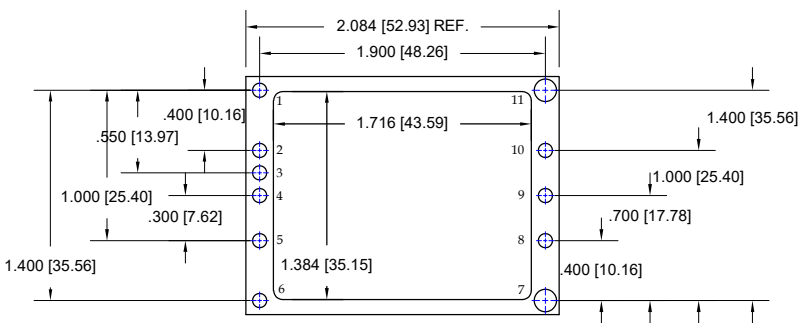


FIG.31
Thru-Hole: C10-1828-09-01-433E-R27-L14
Surface Mount: C10-1828-09-01-285E-R27-L14



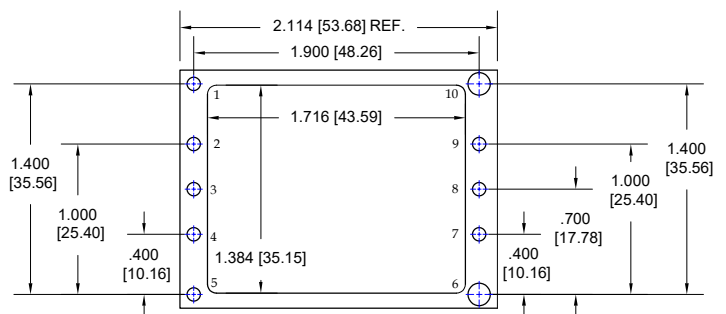
PINS 1-4, 6-8, ARE .040 [1.02mm] DIA.
PINS 5 AND 9 ARE .080 [2.03mm] DIA.

FIG.32
Thru-Hole: C10-1930-09-01-507EP72-R27-L14
Surface Mount: C10-1930-09-01-508EP72-R27-L14



PINS 1-6, 8-10 ARE .040 [1.02mm] DIA.
PINS 7, 11 ARE .080 [2.03mm] DIA.

FIG.33
Thru-Hole: CSP1900-11-05-507EP72-R27-L14
Surface Mount: CSP1900-11-05-508EP72-R27-L14



PINS 1-5, 7-9, ARE .040 [1.02mm] DIA.
PINS 6 AND 10 ARE .080 [2.03mm] DIA.

FIG.34
Thru-Hole: C10-1928-10-01-507EP72-R27-L14
Surface Mount: C10-1928-10-01-508EP72-R27-L14

Heat sink socket available to reduce heat and noise. Contact Andon for details.

©Copyright 2026 Andon Electronics Corporation. All Rights Reserved. This material is protected under US and other copyrights and may not be copied, sold, or redistributed in any form without written permission of Andon Electronics Corporation. Copyrights and trademarks are property of their respective companies. We reserve the right to change specifications without notice. Andon makes no warranty, expressed or implied, as to the suitability of the sockets for the intended purpose.

Andon Proprietary Information
RoHS Compliant

*Sockets are not drawn to scale P-DUKE Technology Co., Ltd. 05/12/2026

Top View Shown Units: in [mm]

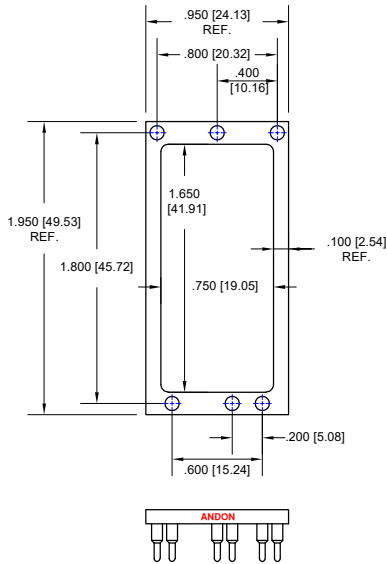


FIG.35
Thru-Hole: C10-1818-06-01-433E-R27-L14
Surface Mount: C10-1818-06-01-285E-R27-L14

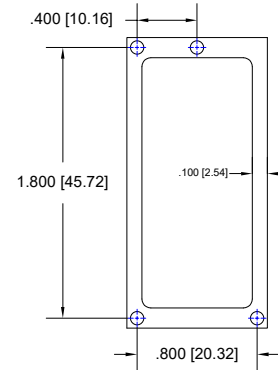


FIG.36
Thru-Hole: C10-1818-04-02-433E-R27-L14
Surface Mount: C10-1818-04-02-285E-R27-L14

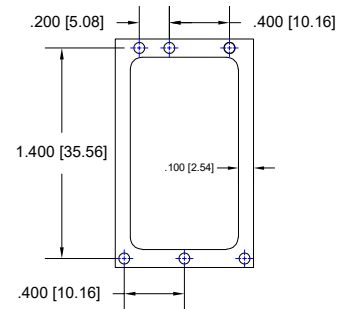


FIG.37
Thru-Hole: C10-1418-06-03-433E-R27-L14
Surface Mount: C10-1418-06-03-285E-R27-L14

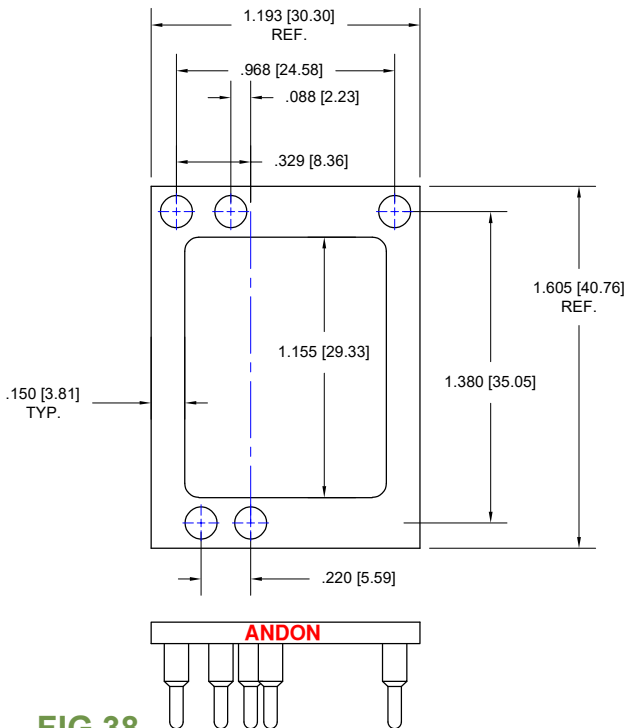


FIG.38
Thru-Hole: CSP1380-05-01-433E-R27-L14
Surface Mount: CSP1380-05-01-285E-R27-L14

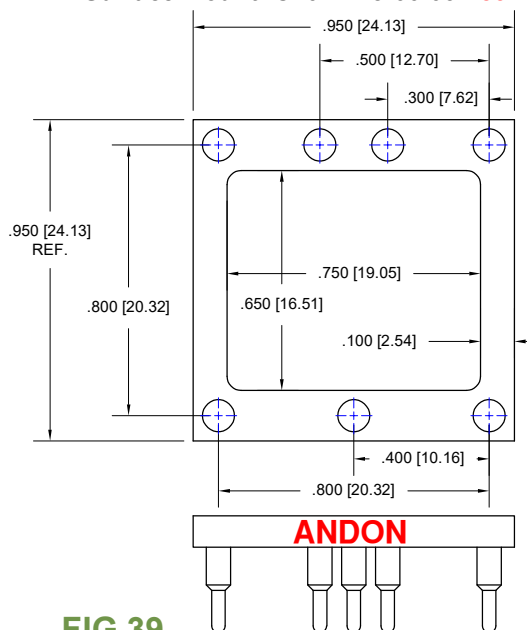


FIG.39
Thru-Hole: C10-818-07-01-433E-R27-L14
Surface Mount: C10-818-07-01-285E-R27-L14

Heat sink socket available to reduce heat and noise. Contact Andon for details.

Top View Shown Units: in [mm]

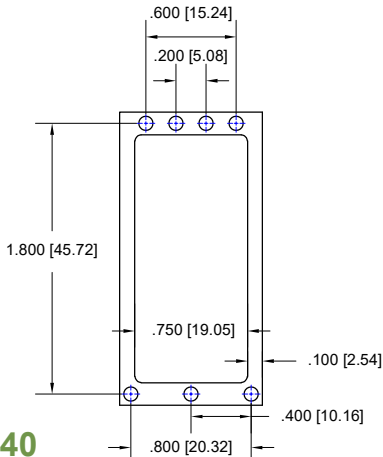


FIG.40

Thru-Hole: C10-1818-07-06-433E-R27-L14
Surface Mount: C10-1818-07-06-285E-R27-L14

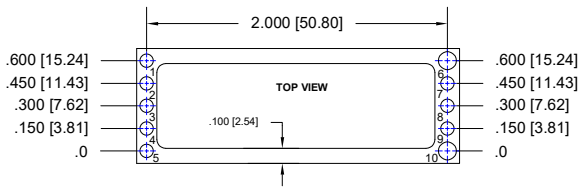


FIG.41

PINS 1-5, 7-9, ARE .040 [1.02mm] DIA.
PINS 6 AND 10 ARE .062 [1.57mm] DIA.

Thru-Hole: CSP2000-10-03-502EP55-R27-L14
Surface Mount: CSP2000-10-03-503EP55-R27-L14

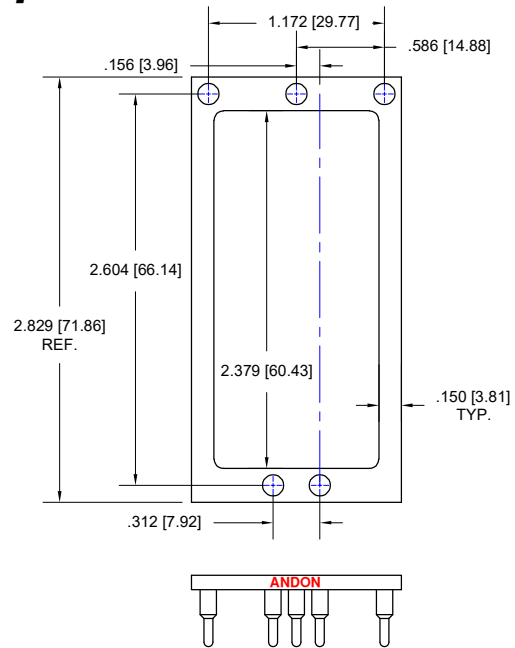
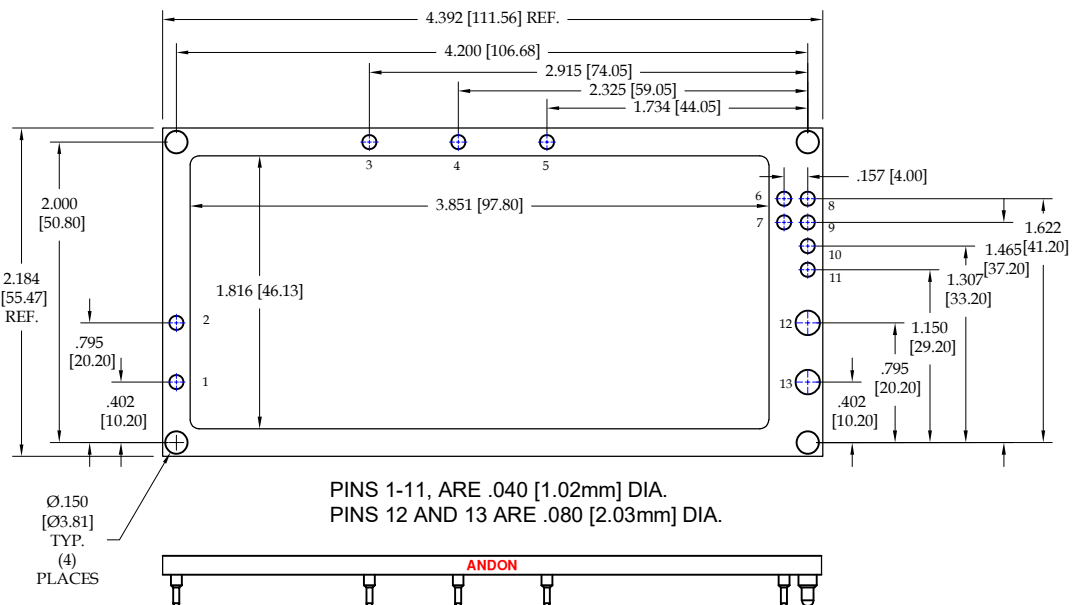


FIG.42

Thru-Hole: CSP2604-05-01-433E-R27-L14
Surface Mount: CSP2604-05-01-285E-R27-L14



PINS 1-11, ARE .040 [1.02mm] DIA.
PINS 12 AND 13 ARE .080 [2.03mm] DIA.

Ø.150 [Ø3.81] TYP. (4) PLACES

FIG.43

Thru-Hole: CSP4200-13-03-507EP72-R27-L14
Surface Mount: CSP4200-13-03-508EP72-R27-L14

Heat sink socket available to reduce heat and noise. Contact Andon for details.

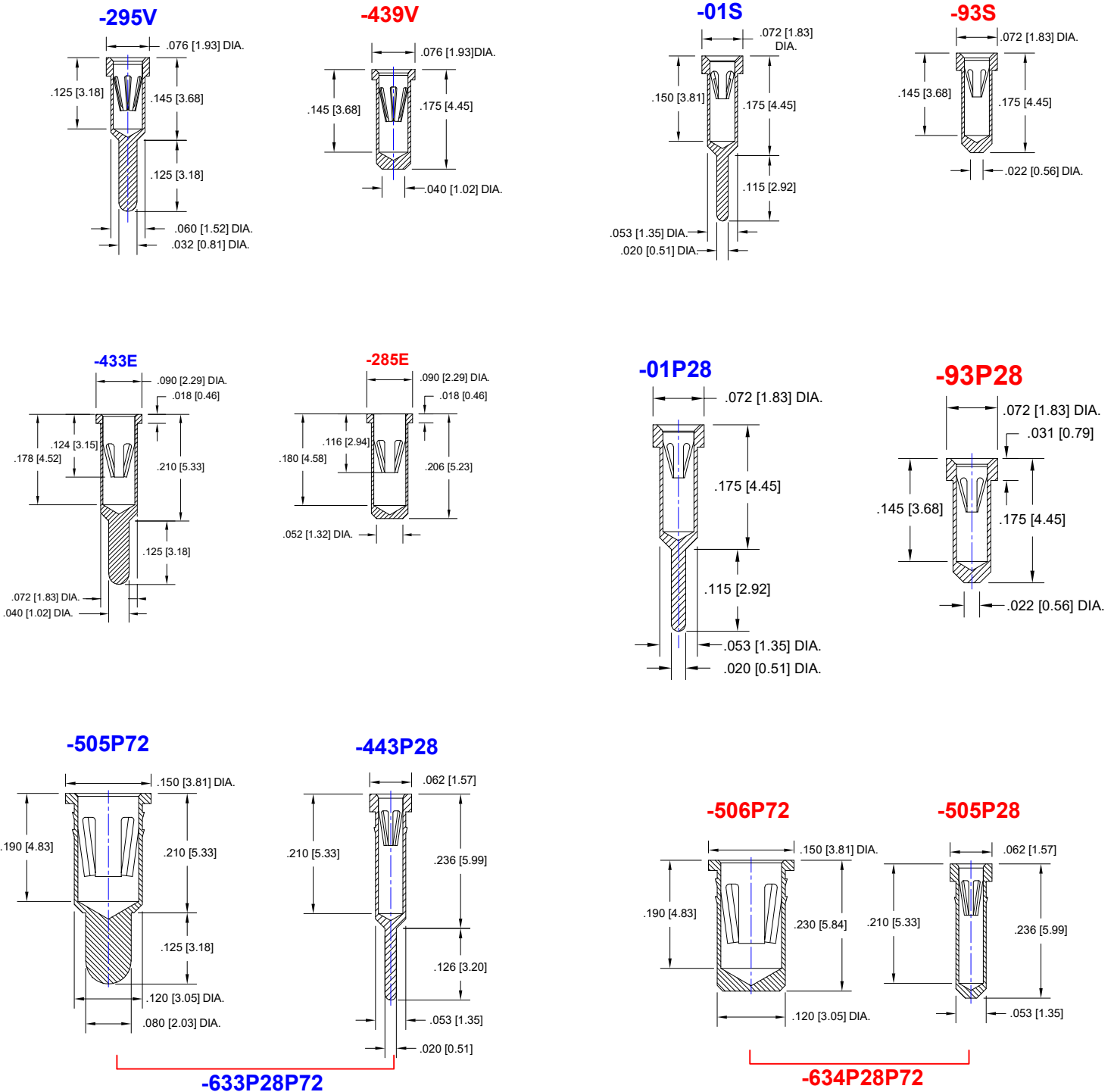
©Copyright 2026 Andon Electronics Corporation. All Rights Reserved. This material is protected under US and other copyrights and may not be copied, sold, or redistributed in any form without written permission of Andon Electronics Corporation. Copyrights and trademarks are property of their respective companies. We reserve the right to change specifications without notice. Andon makes no warranty, expressed or implied, as to the suitability of the sockets for the intended purpose.

Andon Proprietary Information
RoHS Compliant

*Sockets are not drawn to scale P-DUKE Technology Co., Ltd. 05/12/2026

Socket Terminal Details

Cross Section View Shown Units: in[mm]



Heat sink socket available to reduce heat and noise. Contact Andon for details.

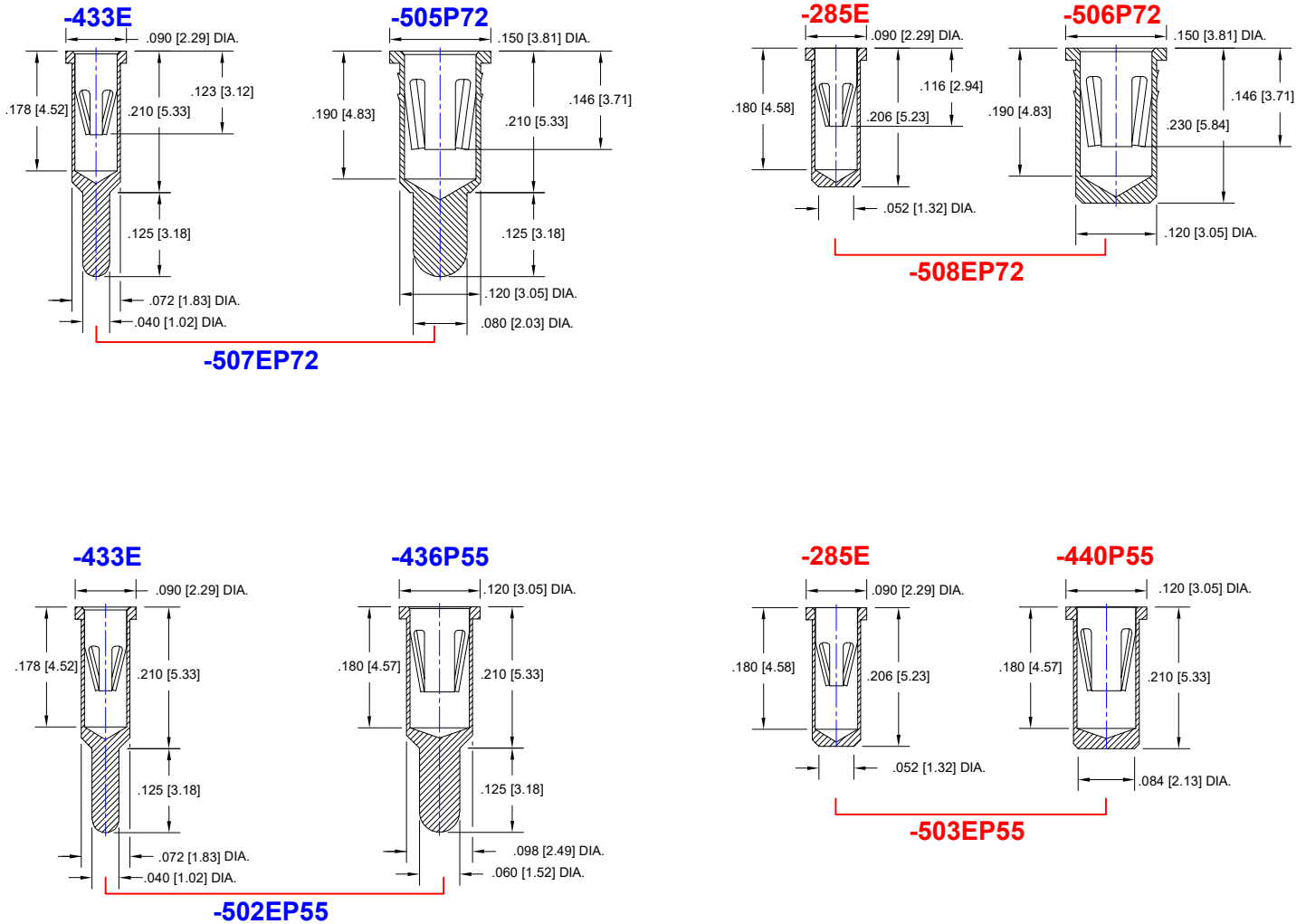
©Copyright 2026 Andon Electronics Corporation. All Rights Reserved. This material is protected under US and other copyrights and may not be copied, sold, or redistributed in any form without written permission of Andon Electronics Corporation. Copyrights and trademarks are property of their respective companies. We reserve the right to change specifications without notice. Andon makes no warranty, expressed or implied, as to the suitability of the sockets for the intended purpose.

Andon Proprietary Information
RoHS Compliant

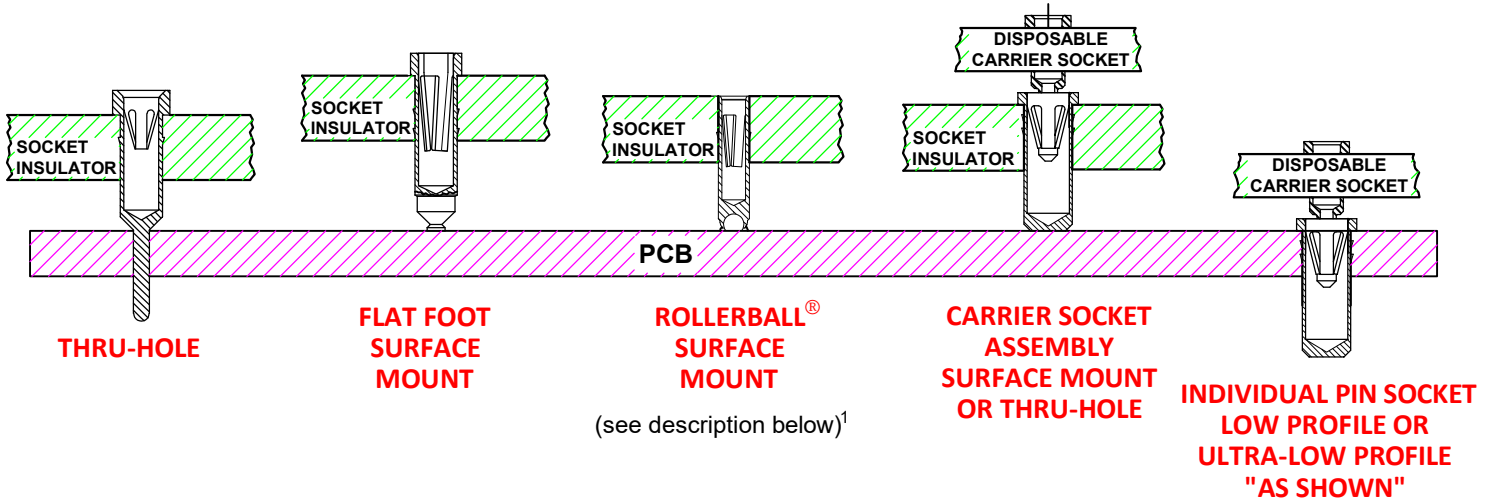
*Sockets are not drawn to scale P-DUKE Technology Co., Ltd. 05/12/2026

Socket Terminal Details

Cross Section View Shown Units: in[mm]



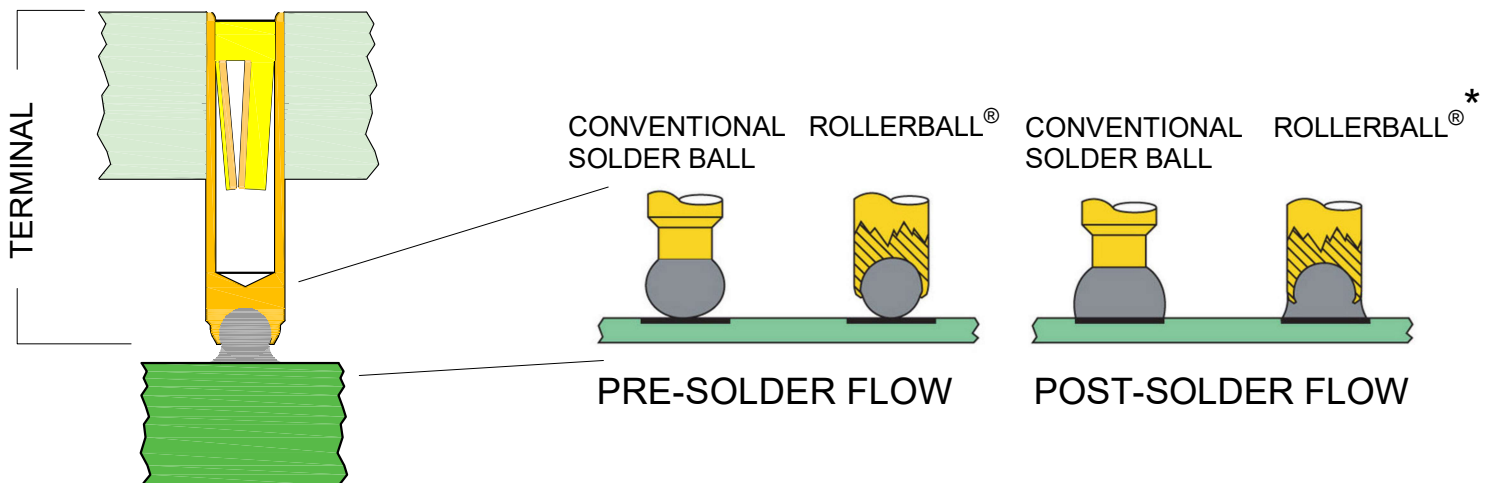
Terminal Acceptance and Forces							
Thru-Hole Socket Terminals				Surface Mount Socket Terminals			
Thru Hole Terminal	Accepts Pin Diameter	Insertion Force	Withdrawal Force	Surface Mount Terminal	Accepts Pin Diameter	Insertion Force	Withdrawal Force
-295V	Ø.030 [Ø0.76]	13.2 oz Max	3.5 oz Min	-439V	Ø.030 [Ø0.76]	13.2 oz Max	3.5 oz Min
-433E	Ø.040 [Ø1.02]	36.0 oz Max	3.9 oz Min	-285E	Ø.040 [Ø1.02]	36.0 oz Max	3.9 oz Min
-436P55	Ø.062 [Ø1.57]	15.5 oz Max	2.1 oz Min	-440P55	Ø.062 [Ø1.57]	15.5 oz Max	2.1 oz Min
-505P72	Ø.080 [Ø2.03]	48 oz Max	8.0 oz Min	-506P72	Ø.080 [Ø2.03]	48 oz Max	8.0 oz Min
-01S	Ø.018 [Ø0.46]	9.0 oz Avg.	2.0 oz Min	-93S	Ø.018 [Ø0.46]	9.0 oz Avg.	2.0 oz Min
-01P28	Ø.028 [Ø0.71]	7.0 oz Avg.	.35 oz Min	-93P28	Ø.028 [Ø0.71]	7.0 oz Avg.	.35 oz Min
-443P28	Ø.028 [Ø0.71]	7.0 oz Avg.	.35 oz Min	-587P28	Ø.028 [Ø0.71]	7.0 oz Avg.	.35 oz Min



¹Andon's patented Rollerball[®] socket terminal option provides more accurate soldering, a stronger connection, and improved electrical connectivity - especially under shock and vibration - than other solder ball terminal designs. Better yet, it can enable you to avoid expensive rework and scrap - especially with larger PCBs where coplanarity is an inherent challenge.

The bottom of these terminals has a radiused hole, to prevent gas entrapment. The terminal is crimped over the solder ball beyond its hemisphere, encapsulating it - leaving just enough of the solder ball exposed to provide sufficient solder without the solder bridging common in conventional solder ball terminal designs.

With this unique design, the critical distance between the terminal and the PC board pad is typically reduced from .036"-.040" to .018"-.022". As such, the solder becomes part of the "anchor" cross-section - providing additional mechanical strength to the connection, as well as improved electrical connectivity. Because it also provides controlled dispersion of solder, this encapsulated solder ball reduces the risk of solder bridging inherent in conventional solder ball terminal designs.



Heat sink socket available to reduce heat and noise. Contact Andon for details.

For fast, accurate placement of SIP sockets and ultra-low profile terminals

Phase 1:
Receive Carrier Assemblies designed to your pin layout.



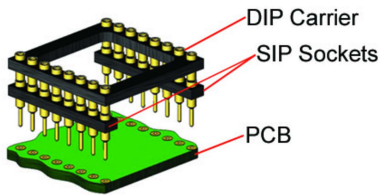
Phase 2:
Place carrier assemblies onto PCB; run through your soldering process.



Phase 3:
Remove carrier and plug in your device; discard carrier or send back to our factory for reloading.

DIP

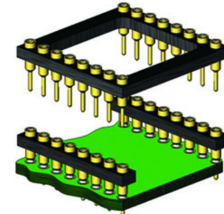
Before Soldering



During Soldering

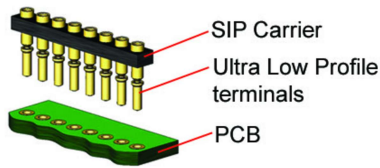


After Soldering

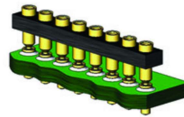


ULTRA-LOW PROFILE SIP

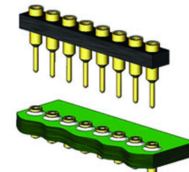
Before Soldering



During Soldering

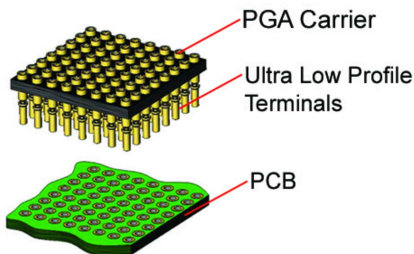


After Soldering

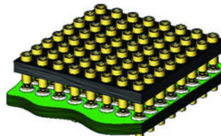


ULTRA-LOW PROFILE PGA

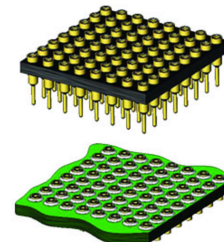
Before Soldering



During Soldering

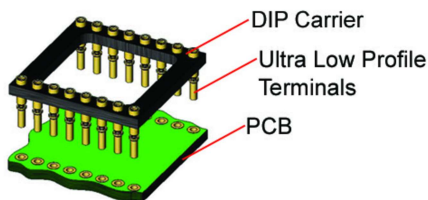


After Soldering

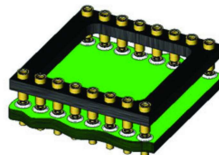


ULTRA LOW PROFILE DIP

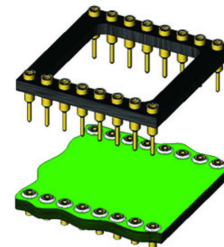
Before Soldering



During Soldering



After Soldering



Heat sink socket available to reduce heat and noise. Contact Andon for details.

©Copyright 2026 Andon Electronics Corporation. All Rights Reserved. This material is protected under US and other copyrights and may not be copied, sold, or redistributed in any form without written permission of Andon Electronics Corporation. Copyrights and trademarks are property of their respective companies. We reserve the right to change specifications without notice. Andon makes no warranty, expressed or implied, as to the suitability of the sockets for the intended purpose.

Andon Proprietary Information
RoHS Compliant

*Sockets are not drawn to scale P-DUKE Technology Co., Ltd. 05/12/2026