



ANDON
INTERCONNECTION SPECIALISTS

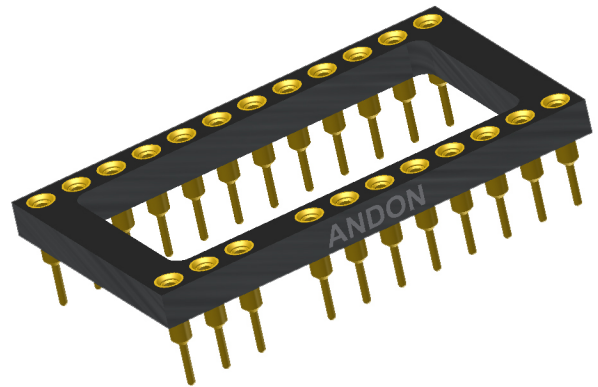
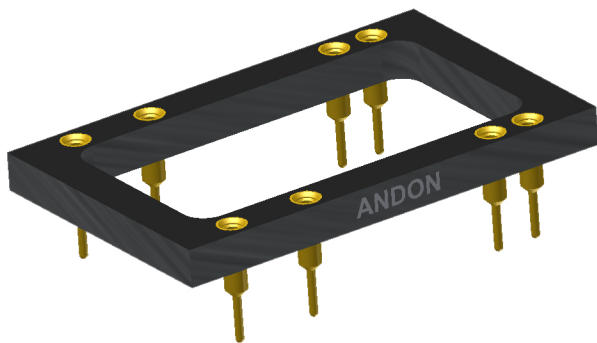
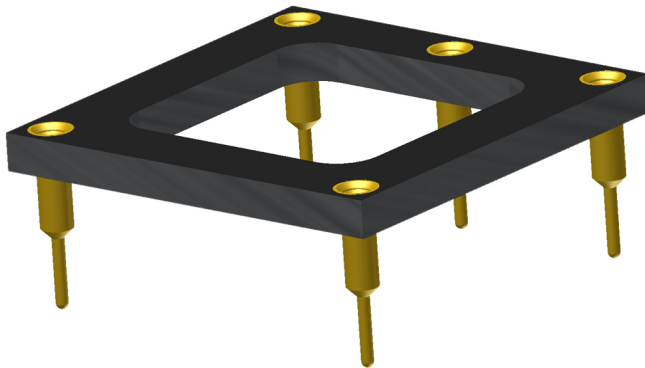


RoHS Compliant
ISO 9001
Certified

HIGH RELIABILITY CONVERTER SOCKETS FOR



**BETA TRANSFORMER
TECHNOLOGY CORPORATION**



Featuring Andon's Unique Senstac™ Contact

BTTCC is a trade mark of BETA TRANSFORMER TECHNOLOGY CORPORATION

BETA TRANSFORMER TECHNOLOGY CORPORATION						
BETA TRANSFORMER TECHNOLOGY CORPORATION Model Number	Andon Part Number Replace "XXX" with Terminal Type	Terminal Type		Pin Ø [in]	Figure Number	Page Number
		Thru-Hole	Surface Mount			
29305	C10-1714-07-01-XXX-R27-L14	01S	93S	.018	6	2
32976	C10-1714-07-01-XXX-R27-L14	01S	93S	.018	6	2
40737	C10-1714-07-01-XXX-R27-L14	01S	93S	.018	6	2
40738	C10-1714-07-01-XXX-R27-L14	01S	93S	.018	6	2
B-679	C10-1714-07-01-XXX-R27-L14	01S	93S	.018	6	2
B-680	C10-1714-07-01-XXX-R27-L14	01S	93S	.018	6	2
29946	C10-1714-08-01-XXX-R27-L14	01S	93S	.018	8	3
(B-480)	C10-1714-08-01-XXX-R27-L14	01S	93S	.018	8	3
B-1042	C10-1714-08-01-XXX-R27-L14	01S	93S	.018	8	3
B-1070	C10-1714-08-01-XXX-R27-L14	01S	93S	.018	8	3
35054	C10-1714-08-02-XXX-R27-L14	01S	93S	.018	10	3
B-1069	C10-1714-08-02-XXX-R27-L14	01S	93S	.018	10	3
B-426	C10-610-09-01-XXX-R27-L14	01S	93S	.018	7	3
B-1065	C10-610-09-01-XXX-R27-L14	01S	93S	.018	7	3
B-1081	C10-610-09-01-XXX-R27-L14	01S	93S	.018	7	3
B-779	C10-610-09-02-XXX-R27-L14	01S	93S	.018	9	3
B-877	C10-610-09-02-XXX-R27-L14	01S	93S	.018	9	3
21049	C10-610-09-01-XXX-R27-L14	01S	93S	.018	7	3
B-783	C10-610-09-01-XXX-R27-L14	01S	93S	.018	7	3
B-795	C10-610-09-01-XXX-R27-L14	01S	93S	.018	7	3
B-879	C10-610-09-01-XXX-R27-L14	01S	93S	.018	7	3
21044	C10-610-09-01-XXX-R27-L14	01S	93S	.018	7	3
21045	C10-610-09-01-XXX-R27-L14	01S	93S	.018	7	3
52034	C10-610-09-01-XXX-R27-L14	01S	93S	.018	7	3
52035	C10-610-09-01-XXX-R27-L14	01S	93S	.018	7	3
21046	C10-610-09-01-XXX-R27-L14	01S	93S	.018	7	3
21047	C10-610-09-01-XXX-R27-L14	01S	93S	.018	7	3
21048	C10-610-09-01-XXX-R27-L14	01S	93S	.018	7	3
52036	C10-610-09-01-XXX-R27-L14	01S	93S	.018	7	3
52037	C10-610-09-01-XXX-R27-L14	01S	93S	.018	7	3
52038	C10-610-09-01-XXX-R27-L14	01S	93S	.018	7	3
MPT-A SERIES	CSP800-06-02-XXX-R27-L14	01S	93S	.018	12	3
MPT-B SERIES	CSP800-06-02-XXX-R27-L14	01S	93S	.018	12	3
B-3221	C10-510-08-01-XXX-R27-L14	01S	93S	.018	11	3
B-3222	C10-510-08-01-XXX-R27-L14	01S	93S	.018	11	3
B-3223	C10-510-08-01-XXX-R27-L14	01S	93S	.018	11	3
B-3224	C10-510-08-01-XXX-R27-L14	01S	93S	.018	11	3
B-3225	C10-510-08-01-XXX-R27-L14	01S	93S	.018	11	3
B-2207	C10-406-06-01-XXX-R27-L14	01S	93S	.018	5	2
B-2208	C10-406-06-01-XXX-R27-L14	01S	93S	.018	5	2
B-2209	C10-406-06-01-XXX-R27-L14	01S	93S	.018	5	2
B-2210	C10-406-06-01-XXX-R27-L14	01S	93S	.018	5	2
B-3228	C10-406-06-01-XXX-R27-L14	01S	93S	.018	5	2
B-3229	C10-406-06-01-XXX-R27-L14	01S	93S	.018	5	2
B-3230	C10-406-06-01-XXX-R27-L14	01S	93S	.018	5	2
B-2206	C10-406-04-01-XXX-R27-L14	01S	93S	.018	4	2
B-2202	C10-510-08-01-XXX-R27-L14	01S	93S	.018	2	2
B-2203	C10-510-08-01-XXX-R27-L14	01S	93S	.018	2	2
B-2204	C10-510-08-01-XXX-R27-L14	01S	93S	.018	2	2
B-2205	C10-510-08-01-XXX-R27-L14	01S	93S	.018	2	2
B-2385	C10-510-08-01-XXX-R27-L14	01S	93S	.018	2	2
B-3226	C10-510-08-01-XXX-R27-L14	01S	93S	.018	2	2
TST-9000	CSP500-16-01-XXX-R27-L14	01S	93S	.018	3	2
TST-9001	CSP500-16-01-XXX-R27-L14	01S	93S	.018	3	2
TST-9002	CSP500-16-01-XXX-R27-L14	01S	93S	.018	3	2
TST-9003	CSP500-16-01-XXX-R27-L14	01S	93S	.018	3	2
TST-9004	CSP500-16-01-XXX-R27-L14	01S	93S	.018	3	2
TST-9005	CSP500-16-01-XXX-R27-L14	01S	93S	.018	3	2

Heat sink socket available to reduce heat and noise. Contact Andon for details.

BETA TRANSFORMER TECHNOLOGY CORPORATION						
BETA TRANSFORMER TECHNOLOGY CORPORATION Model Number	Andon Part Number Replace "XXX" with Terminal Type	Terminal Type		Pin Ø [in]	Figure Number	Page Number
		Thru-Hole	Surface Mount			
TST-9006	CSP500-16-01-XXX-R27-L14	01S	93S	.018	3	2
TST-9007	CSP500-16-01-XXX-R27-L14	01S	93S	.018	3	2
MLP-3033	C10-308-08-01-XXX-R27-L14	01S	93S	.018	1	2
MLP-3005	C10-308-08-01-XXX-R27-L14	01S	93S	.018	1	2
MLP-3012	C10-308-08-01-XXX-R27-L14	01S	93S	.018	1	2
MLP-3015	C10-308-08-01-XXX-R27-L14	01S	93S	.018	1	2
MLP-3233	C10-308-08-01-XXX-R27-L14	01S	93S	.018	1	2
MLP-3205	C10-308-08-01-XXX-R27-L14	01S	93S	.018	1	2
MLP-3212	C10-308-08-01-XXX-R27-L14	01S	93S	.018	1	2
MLP-3215	C10-308-08-01-XXX-R27-L14	01S	93S	.018	1	2
MLP-3333	C10-308-08-01-XXX-R27-L14	01S	93S	.018	1	2
MLP-3305	C10-308-08-01-XXX-R27-L14	01S	93S	.018	1	2
MLP-3312	C10-308-08-01-XXX-R27-L14	01S	93S	.018	1	2
MLP-3315	C10-308-08-01-XXX-R27-L14	01S	93S	.018	1	2

Heat sink socket available to reduce heat and noise. Contact Andon for details.

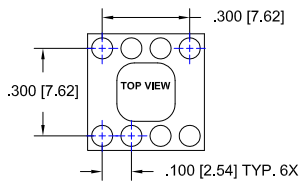


FIG.1

Thru-Hole: C10-308-08-01-01S-R27-L14
Surface Mount: C10-308-08-01-93S-R27-L14

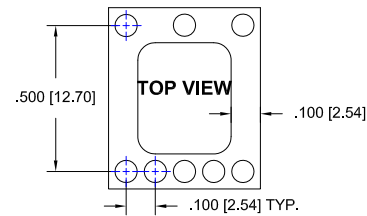


FIG.2

Thru-Hole: C10-510-08-01-01S-R27-L14
Surface Mount: C10-510-08-01-93S-R27-L14

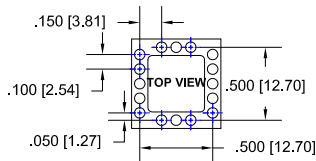


FIG.3

Thru-Hole: CSP500-16-01-01S-R27-L14
Surface Mount: CSP500-16-01-93S-R27-L14

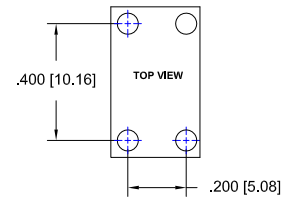


FIG.4

Thru-Hole: C10-406-04-01-01S-R27-L14
Surface Mount: C10-406-04-01-93S-R27-L14

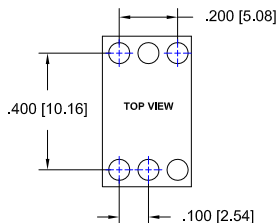


FIG.5

Thru-Hole: C10-406-06-01-01S-R27-L14
Surface Mount: C10-406-06-01-93S-R27-L14

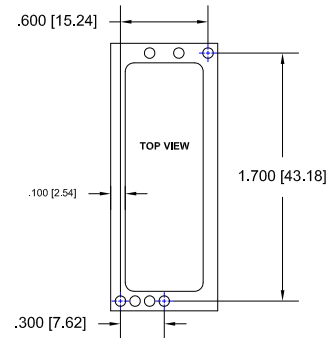


FIG.6

Thru-Hole: C10-1714-07-01-01S-R27-L14
Surface Mount: C10-1714-07-01-93S-R27-L14

BETA TRANSFORMER TECHNOLOGY CORPORATION *Continued*

Socket Terminal Details
Cross Section View Shown Units: in [mm]

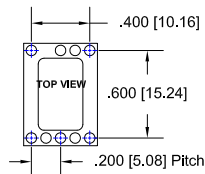


FIG.7
Thru-Hole: C10-610-09-01-01S-R27-L14
Surface Mount: C10-610-09-01-93S-R27-L14

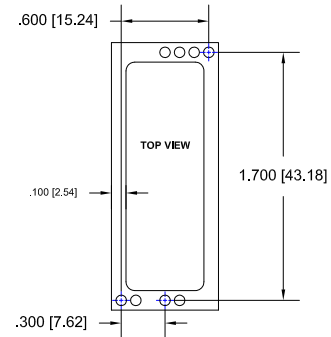


FIG.8
Thru-Hole: C10-1714-08-01-01S-R27-L14
Surface Mount: C10-1714-08-01-93S-R27-L14

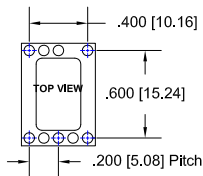


FIG.9
Thru-Hole: C10-610-09-02-01S-R27-L14
Surface Mount: C10-610-09-02-93S-R27-L14

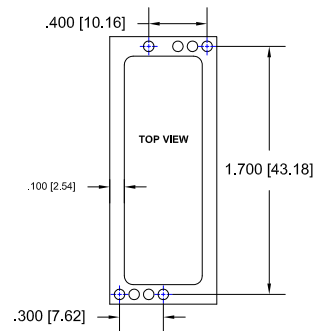


FIG.10
Thru-Hole: C10-1714-08-02-01S-R27-L14
Surface Mount: C10-1714-08-02-93S-R27-L14

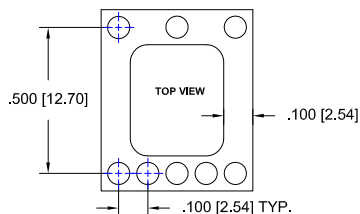


FIG.11
Thru-Hole: C10-510-08-01-01S-R27-L14
Surface Mount: C10-510-08-01-93S-R27-L14

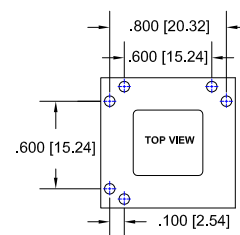
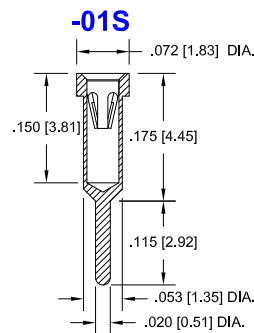
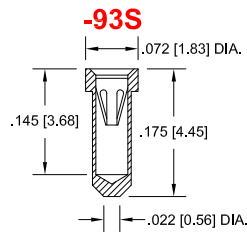


FIG.12
Thru-Hole: CSP800-06-02-01S-R27-L14
Surface Mount: CSP800-06-02-93S-R27-L14

BETA TRANSFORMER TECHNOLOGY CORPORATION *Continued*

Socket Terminal Details Cross Section View Shown Units: in [mm]



Technical Information

Material:

Insulator: Hi-Temp UL 94V-0
Terminal: Brass, per ASTM-B16
Contact: BeCu, Per ASTM-B194

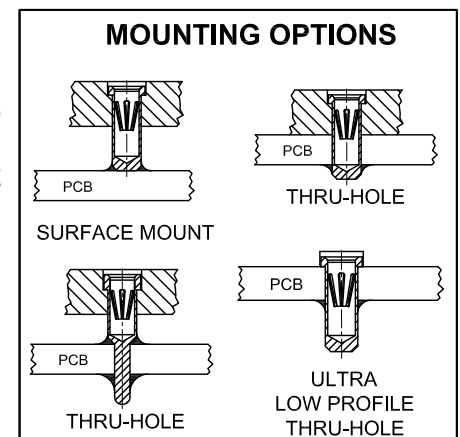
Plating: RoHS COMPLIANT

R15 TERMINAL: GOLD / CONTACT: GOLD

R17 TERMINAL: TIN / CONTACT: GOLD

OTHER PLATINGS AVAILABLE

Terminal Acceptance and Forces							
Thru Hole Terminals				Surface Mount Terminals			
Thru Hole Terminal	Accepts Pin Diameter	Insertion Force	Withdrawal Force	Surface Mount Terminal	Accepts Pin Diameter	Insertion Force	Withdrawal Force
-01S	Ø.018 [Ø0.46]	9.0 oz Avg.	2.0 oz Min	-93S	Ø.018 [Ø0.46]	9.0 oz Avg.	2.0 oz Min



©Copyright 2015 Andon Electronics Corporation. All Rights Reserved. This material is protected under US and other copyrights and may not be copied, sold, or redistributed in any form without written permission of Andon Electronics Corporation. Copyrights and trademarks are property of their respective companies. We reserve the right to change specifications without notice. Andon makes no warranty, expressed or implied, as to the suitability of the sockets for the intended purpose.

"ANDON PROPRIETARY INFORMATION"

RoHS Compliant

*Sockets are not drawn to scale BETA TRANSFORMER TECHNOLOGY CORPORATION 8/10/2015