

| MICROSENS SA | | | | | | |
|------------------------------|---|---------------|------------------|---------------|------------------|----------------|
| MICROSENS SA Model Number | Andon Part Number Replace "XXX" with Terminal Type | Terminal Type | | Pin Ø [in] | Figure Number | Page Number |
| | | Thru-Hole | Surface Mount | | | |
| MCGS-2102 | R200-0404-01T-XXX-R27-L14 | 75S | 265S | .018 | 1 | 1 |
| MSGs-3002-B | R200-0404-01T-XXX-R27-L14 | 75S | 265S | .018 | 1 | 1 |
| MSGs-3000 | R200-0404-01T-XXX-R27-L14 | 75S | 265S | .018 | 1 | 1 |
| MSGs-3001-B | R200-0404-01T-XXX-R27-L14 | 75S | 265S | .018 | 1 | 1 |
| MSGs-3002-D | R100-0404-02T-XXX-R27-L14 | 75S | 265S | .018 | 2 | 1 |
| MSGs-3001-D | R100-0404-02T-XXX-R27-L14 | 75S | 265S | .018 | 2 | 1 |

Fig. 1

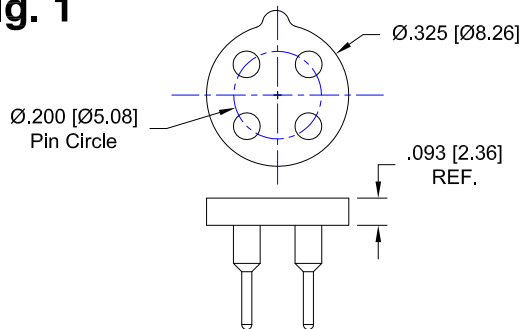
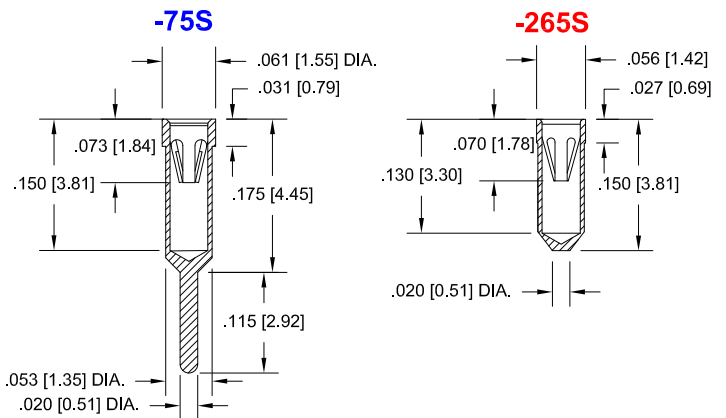
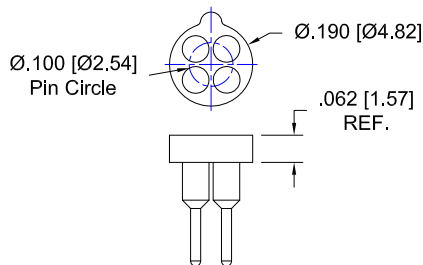


Fig. 2



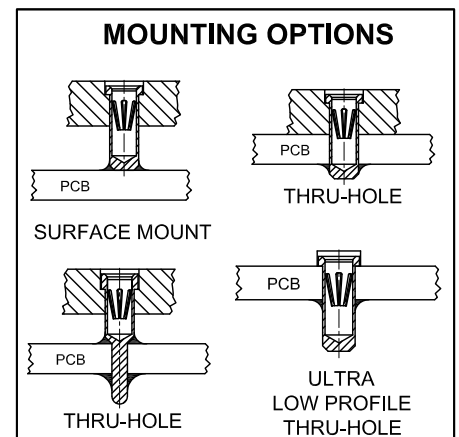
Technical Information

Material:

Insulator: Hi-Temp UL 94V-O
Terminal: Brass, per ASTM-B16
Contact: BeCu, Per ASTM-B194

Plating: RoHS COMPLIANT
R15 TERMINAL: GOLD / CONTACT: GOLD
R17 TERMINAL: TIN / CONTACT: GOLD
OTHER PLATINGS AVAILABLE

| Terminal Acceptance and Forces | | | | | | | |
|--------------------------------|----------------------|-----------------|------------------|-------------------------|----------------------|-----------------|------------------|
| Thru Hole Terminals | | | | Surface Mount Terminals | | | |
| Thru Hole Terminal | Accepts Pin Diameter | Insertion Force | Withdrawal Force | Surface Mount Terminal | Accepts Pin Diameter | Insertion Force | Withdrawal Force |
| -75S | Ø.018 [Ø0.46] | 9.0 oz Avg. | 2.0 oz Min | -265S | Ø.018 [Ø0.46] | 9.0 oz Avg. | 2.0 oz Min |



©Copyright 2015 Andon Electronics Corporation. All Rights Reserved. This material is protected under US and other copyrights and may not be copied, sold, or redistributed in any form without written permission of Andon Electronics Corporation. Copyrights and trademarks are property of their respective companies. We reserve the right to change specifications without notice. Andon makes no warranty, expressed or implied, as to the suitability of the sockets for the intended purpose.

"ANDON PROPRIETARY INFORMATION"
RoHS Compliant

*Sockets are not drawn to scale MICROSENS SA 4/10/2015