



**HIGH RELIABILITY
OPTOELECTRONIC SOCKETS FOR
KELLER AG**



KELLER



Featuring Andon's Unique SenstacTM Contact

KELLER AG						
Model Number	Andon Part Number Replace "XXX" with Terminal Type	Terminal Type		Pin Ø [in]	Figure Number	Page Number
		Thru-Hole	Surface Mount			
4LC	R200-0403-07T-XXX-R27-L14	01S	93S	.018	5	2
4LDEI	R200-0805-03T-XXX-R27-L14	75S	265S	.018	1	2
6LC HP	R200-0403-07T-XXX-R27-L14	01S	93S	.018	5	2
6LDEI	R200-0805-03T-XXX-R27-L14	75S	265S	.018	1	2
7LC	R200-0403-07T-XXX-R27-L14	01S	93S	.018	5	2
7LC HP	R200-0403-07T-XXX-R27-L14	01S	93S	.018	5	2
7LDEI	R200-0805-03T-XXX-R27-L14	75S	265S	.018	1	2
8LC	R200-0403-07T-XXX-R27-L14	01S	93S	.018	5	2
9FLC	R200-0403-07T-XXX-R27-L14	01S	93S	.018	5	2
9FLDEI	R200-0805-03T-XXX-R27-L14	75S	265S	.018	1	2
9LC	R200-0403-07T-XXX-R27-L14	01S	93S	.018	5	2
9LDEI	R200-0805-03T-XXX-R27-L14	75S	265S	.018	1	2
PA10L	R200-0805-03T-XXX-R27-L14	75S	265S	.018	1	2
PAA10L	R200-0805-03T-XXX-R27-L14	75S	265S	.018	1	2
PD10L	R200-0805-03T-XXX-R27-L14	75S	265S	.018	1	2
PR10L	R200-0805-03T-XXX-R27-L14	75S	265S	.018	1	2
SERIES 6/ SERIES 6T	R200-0805-03T-XXX-R27-L14	75S	265S	.018	1	2
SERIES 6S/ SERIES 6M	R200-0805-03T-XXX-R27-L14	75S	265S	.018	1	2
SERIES 7	R280-0805-02T-XXX-R27-L14	433E	285E	.040	1	2
SERIES 7 LI	R200-0805-03T-XXX-R27-L14	75S	265S	.018	1	2
SERIES 7 S	R200-0805-03T-XXX-R27-L14	75S	265S	.018	1	2
SERIES 8 HIGH PRESSURE	R316-SP05-01N-XXX-R27-L14	75S	265S	.018	3	2
SERIES 8 LOW PRESSURE	R200-0805-03T-XXX-R27-L14	75S	265S	.018	1	2
SERIES 9	R280-0806-02T-XXX-R27-L14	433E	285E	.040	2	2
SERIES 9 FL	R200-0805-03T-XXX-R27-L14	75S	265S	.018	1	2
SERIES 9 S	R200-0805-03T-XXX-R27-L14	75S	265S	.018	1	2
SERIES 10 L	R200-0805-03T-XXX-R27-L14	75S	265S	.018	1	2
TRANSDUCER 5 PIN	R280-0805-02T-XXX-R27-L14	433E	285E	.040	4	2
TRANSDUCER 6 PIN	R280-0806-02T-XXX-R27-L14	433E	285E	.040	2	2

See last page for other mounting types including low profile options.
Heat sink socket available to reduce heat and noise. Contact Andon for details.

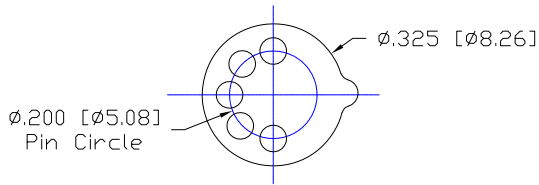


FIG. 1

Thru-Hole: R200-0805-03T-75S-R27-L14
Surface Mount: R200-0805-03T-265S-R27-L14

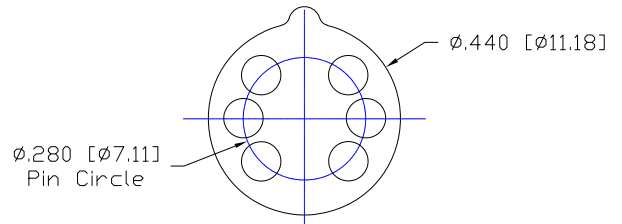


FIG. 2

Thru-Hole: R280-0806-02T-433E-R27-L14
Surface Mount: R280-0806-02T-285E-R27-L14

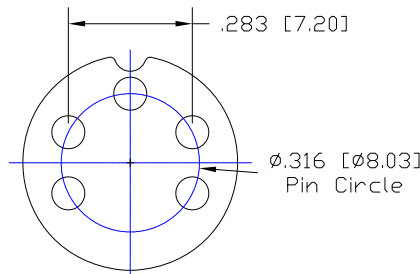


FIG. 3

Thru-Hole: R316-SP05-01N-75S-R27-L14
Surface Mount: R316-SP05-01N-265S-R27-L14

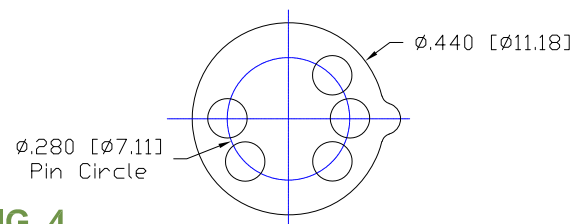


FIG. 4

Thru-Hole: R280-0805-02T-433E-R27-L14
Surface Mount: R280-0805-02T-285E-R27-L14

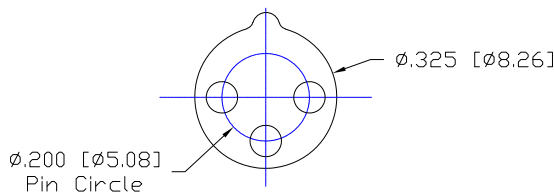
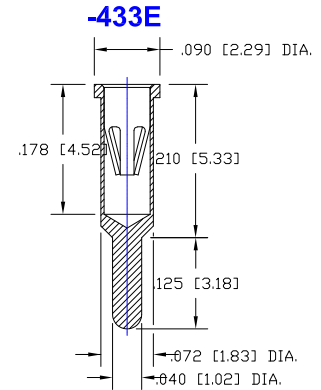
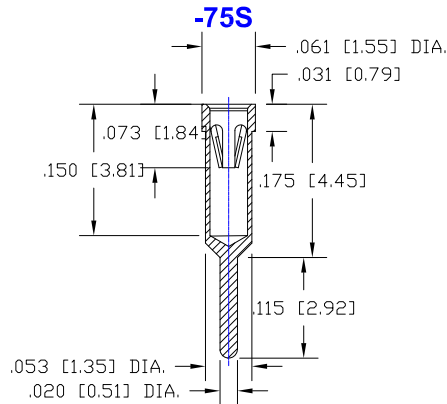
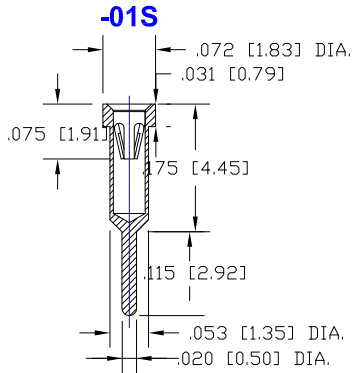


FIG. 5

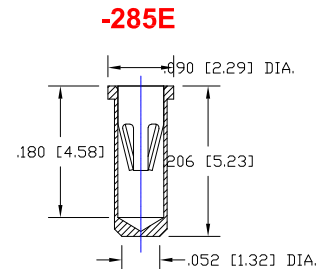
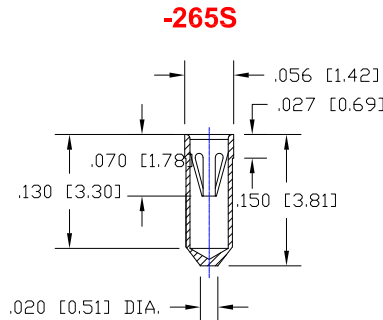
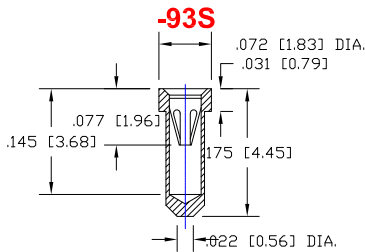
Thru-Hole: R200-0403-07T-01S-R27-L14
Surface Mount: R200-0403-07T-93S-R27-L14

GPIXEL INC. Continued
Image Sensor Terminal Options
 Units: in [mm]

THRU HOLE OPTION



SURFACE MOUNT OPTION



Technical Information

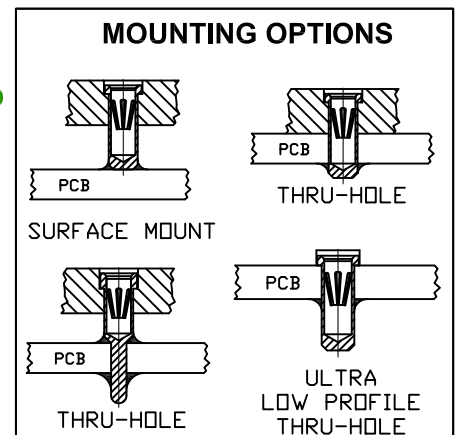
Plating: RoHS COMPLIANT
R27 TERMINAL: GOLD / CONTACT: GOLD
R29 TERMINAL: MATTE TIN / CONTACT: GOLD
R32 TERMINAL: MATTE TIN / CONTACT: TIN
OTHER PLATINGS AVAILABLE

Material:

Insulator: Hi-Temp UL 94V-O
 Terminal: Brass, per ASTM-B16
 Contact: BeCu, Per ASTM-B194

Terminal Acceptance and Forces

Thru Hole Terminals				Surface Mount Terminals			
Thru Hole Terminal	Accepts Pin Diameter	Insertion Force	Withdrawal Force	Surface Mount Terminal	Accepts Pin Diameter	Insertion Force	Withdrawal Force
-01S	Ø.018 [Ø0.46]	1.6 oz Avg.	0.5 oz Min	-93S	Ø.018 [Ø1.02]	9.0 oz Avg.	2.0 oz Min
-433E	Ø.040 [Ø1.02]	36.0 oz Avg.	3.9 oz Min	-285E	Ø.040 [Ø1.02]	36.0 oz Avg.	3.9 oz Min
-75S	Ø.018 [Ø0.46]	9.0 oz Avg.	2.0 oz Min	-265S	Ø.018 [Ø0.46]	9.0 oz Avg.	2.0 oz Min

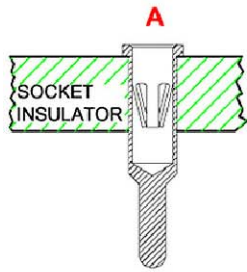


"ANDON PROPRIETARY INFORMATION"

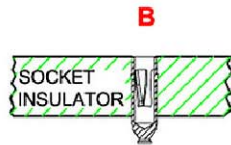
RoHS Compliant

*Sockets are not drawn to scale KELLER AG 09/13/2018

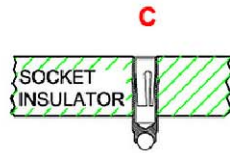
Mounting Options



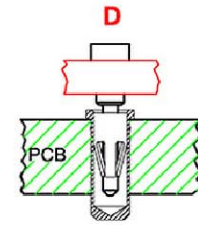
THRU-HOLE



SMD-FLAT FOOT



ROLLERBALL



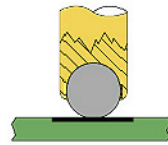
PCB FOR THRU-HOLE
INSULATOR FOR SMD

**CARRIER
WITH OR WITHOUT
SOLDER
WASHER**



**PIN SOCKET
BULK
WITH OR WITHOUT
SOLDER
WASHER**

ROLLERBALL[®] SOCKET



BEFORE SOLDERING

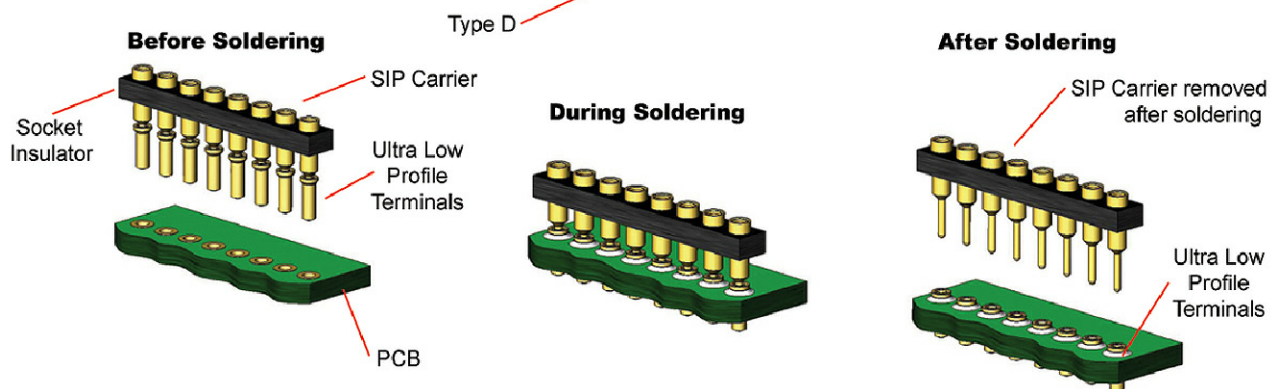
ROLLERBALL[®] SOCKET



AFTER SOLDERING

U.S. PATENT # 6,352,437
CANADIAN PATENT # 2,388,520

ULTRA LOW PROFILE SIP/DIP/PGA CARRIER ASSEMBLY



Available with or without solder washer