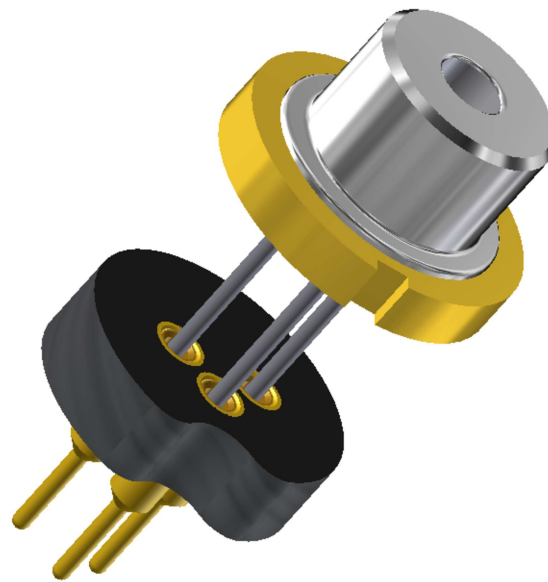




High-Reliability Opto-Electronic Sockets for Dexerials, Inc.

Dexerials



Featuring Andon's Unique SenstacTM Contact

Dexerials, Inc.						
Dexerials, Inc. Package Type	Andon Electronics Part Number <i>Replace "XXX" with Terminal Style</i>	Terminal Style		Pin Ø [in]	Page Number	Figure Number
		Thru-Hole	Surface Mount			
KED050CXH	R100-0402-02T-XXX-R27-L14	01S	93S	.018	4	2
KED050CXK	R100-0402-02T-XXX-R27-L14	01S	93S	.018	4	2
KED050-H23	R100-0402-02T-XXX-R27-L14	01S	93S	.018	4	2
KED050HQ	R100-0402-02T-XXX-R27-L14	01S	93S	.018	4	2
KED050HV	R100-0402-02T-XXX-R27-L14	01S	93S	.018	4	2
KED080RAXH	R100-0402-02T-XXX-R27-L14	01S	93S	.018	4	2
KED109Z-N	R100-0402-02T-XXX-R27-L14	01S	93S	.018	4	2
KED160RAXH	R100-0402-02T-XXX-R27-L14	01S	93S	.018	4	2
KED308HQ	R100-0402-02T-XXX-R27-L14	01S	93S	.018	4	2
KED308HV	R100-0402-02T-XXX-R27-L14	01S	93S	.018	4	2
KED351HDL	R100-0402-02T-XXX-R27-L14	01S	93S	.018	4	2
KED351RHD	R100-0402-02T-XXX-R27-L14	01S	93S	.018	4	2
KED351RKD	R100-0402-02T-XXX-R27-L14	01S	93S	.018	4	2
KED353KDL	R100-0402-02T-XXX-R27-L14	01S	93S	.018	4	2
KED354RHD	R100-0402-02T-XXX-R27-L14	01S	93S	.018	4	2
KED358-H23	R100-0402-02T-XXX-R27-L14	01S	93S	.018	4	2
KED358HQ-N	R100-0402-02T-XXX-R27-L14	01S	93S	.018	4	2
KED358RHDQ	R100-0402-02T-XXX-R27-L14	01S	93S	.018	4	2
KED365UH	R100-0402-02T-XXX-R27-L14	01S	93S	.018	4	2
KED372UHB	R100-0402-02T-XXX-R27-L14	01S	93S	.018	4	2
KED373UH	R100-0402-02T-XXX-R27-L14	01S	93S	.018	4	2
KED378UH	R100-0402-02T-XXX-R27-L14	01S	93S	.018	4	2
KED471M53A	R100-0402-02T-XXX-R27-L14	01S	93S	.018	4	2
KED521M51B	R100-0402-02T-XXX-R27-L14	01S	93S	.020	4	2
KED530HDB	R100-0403-07T-XXX-R27-L14	211S	384S	.018	4	4
KED541H	R100-0403-07T-XXX-R27-L14	211S	384S	.018	4	4
KED591M31A	R100-0402-02T-XXX-R27-L14	01S	93S	.020	4	2
KED591M32A	R100-0402-02T-XXX-R27-L14	01S	93S	.020	4	2
KED591M51A	R100-0402-02T-XXX-R27-L14	01S	93S	.020	4	2
KED601H	R100-0402-02T-XXX-R27-L14	01S	93S	.018	4	2
KED602K	R100-0402-02T-XXX-R27-L14	01S	93S	.018	4	2
KED604H	R100-0402-02T-XXX-R27-L14	01S	93S	.018	4	2
KED611M31A	R100-0402-02T-XXX-R27-L14	01S	93S	.020	4	2
KED611M32A	R100-0402-02T-XXX-R27-L14	01S	93S	.020	4	2
KED611M51A	R100-0402-02T-XXX-R27-L14	01S	93S	.020	4	2
KED621M31A	R100-0402-02T-XXX-R27-L14	01S	93S	.020	4	2
KED621M32A	R100-0402-02T-XXX-R27-L14	01S	93S	.020	4	2
KED621M51A	R100-0402-02T-XXX-R27-L14	01S	93S	.020	4	2
KED641M31	R100-0402-02T-XXX-R27-L14	01S	93S	.020	4	2
KED641M32	R100-0402-02T-XXX-R27-L14	01S	93S	.020	4	2
KED641M34	R100-0402-02T-XXX-R27-L14	01S	93S	.020	4	2
KED641M51	R100-0402-02T-XXX-R27-L14	01S	93S	.020	4	2
KED661M31	R100-0402-02T-XXX-R27-L14	01S	93S	.020	4	2
KED661M31A	R100-0402-02T-XXX-R27-L14	01S	93S	.020	4	2
KED661M32	R100-0402-02T-XXX-R27-L14	01S	93S	.020	4	2
KED661M32A	R100-0402-02T-XXX-R27-L14	01S	93S	.020	4	2
KED661M32B	R100-0402-02T-XXX-R27-L14	01S	93S	.020	4	2
KED661M34	R100-0402-02T-XXX-R27-L14	01S	93S	.020	4	2
KED661M51	R100-0402-02T-XXX-R27-L14	01S	93S	.020	4	2

©Copyright 2026 Andon Electronics Corporation. All Rights Reserved. This material is protected under US and other copyrights and may not be copied, sold, or redistributed in any form without written permission of Andon Electronics Corporation. Copyrights and trademarks are property of their respective companies. We reserve the right to change specifications without notice. Andon makes no warranty, expressed or implied, as to the suitability of the sockets for the intended purpose.

Andon Proprietary Information
RoHS Compliant

*Sockets are not drawn to scale **Dexerials, Inc.** 05/13/2026

Dexerials, Inc.						
Dexerials, Inc. Package Type	Andon Electronics Part Number <i>Replace "XXX" with Terminal Style</i>	Terminal Style		Pin Ø [in]	Page Number	Figure Number
		Thru-Hole	Surface Mount			
KED664M31A	R100-0402-02T-XXX-R27-L14	01S	93S	.020	4	2
KED671M34	R100-0402-02T-XXX-R27-L14	01S	93S	.020	4	2
KED851M31	R100-0402-02T-XXX-R27-L14	01S	93S	.020	4	2
KED851M32	R100-0402-02T-XXX-R27-L14	01S	93S	.020	4	2
KED851M51	R100-0402-02T-XXX-R27-L14	01S	93S	.020	4	2
KED852M51	R100-0402-02T-XXX-R27-L14	01S	93S	.020	4	2
KED853M51	R100-0402-02T-XXX-R27-L14	01S	93S	.020	4	2
KED861M31	R100-0402-02T-XXX-R27-L14	01S	93S	.020	4	2
KED861M32	R100-0402-02T-XXX-R27-L14	01S	93S	.020	4	2
KED861M51	R100-0402-02T-XXX-R27-L14	01S	93S	.020	4	2
KED861M52	R100-0402-02T-XXX-R27-L14	01S	93S	.020	4	2
KED862M51	R100-0402-02T-XXX-R27-L14	01S	93S	.020	4	2
KED863M51	R100-0402-02T-XXX-R27-L14	01S	93S	.020	4	2
KED864M32	R100-0402-02T-XXX-R27-L14	01S	93S	.020	4	2
KED871M31B	R100-0402-02T-XXX-R27-L14	01S	93S	.020	4	2
KED941M31A	R100-0402-02T-XXX-R27-L14	01S	93S	.020	4	2
KED941M31B	R100-0402-02T-XXX-R27-L14	01S	93S	.020	4	2
KED941M51B	R100-0402-02T-XXX-R27-L14	01S	93S	.020	4	2
KED941M51C	R100-0402-02T-XXX-R27-L14	01S	93S	.020	4	2
KED941M53VC	R100-0402-02T-XXX-R27-L14	01S	93S	.020	4	2
KEDE1301M51	R100-0402-02T-XXX-R27-L14	01S	93S	.020	4	2
KEDE1304H	R100-0402-02T-XXX-R27-L14	01S	93S	.018	4	2
KEDE1451M52	R100-0402-02T-XXX-R27-L14	01S	93S	.020	4	2
KEDE1452H	R100-0402-02T-XXX-R27-L14	01S	93S	.018	4	2
KEDE1454H	R100-0402-02T-XXX-R27-L14	01S	93S	.018	4	2
KEDE1458K	R100-0402-02T-XXX-R27-L14	01S	93S	.018	4	2
KEDE1551M51	R100-0402-02T-XXX-R27-L14	01S	93S	.020	4	2
KEDE1552H	R100-0402-02T-XXX-R27-L14	01S	93S	.018	4	2
KEDE1652H	R100-0402-02T-XXX-R27-L14	01S	93S	.018	4	2
KLD085VC-H32	R100-0404-02T-XXX-R27-L14	75S	265S	.018	4	5
KLD085VC-LTH32	R100-0404-02T-XXX-R27-L14	75S	265S	.018	4	5
KPC8H-FC	R100-0404-02T-XXX-R27-L14	75S	265S	.018	4	5
KPC8-T	R100-0404-02T-XXX-R27-L14	75S	265S	.018	4	5
KPD101M31	R100-0402-02T-XXX-R27-L14	01S	93S	.018	4	2
KPD101M32	R100-0402-02T-XXX-R27-L14	01S	93S	.018	4	2
KPD101M51	R100-0402-02T-XXX-R27-L14	01S	93S	.018	4	2
KPD104M32	R100-0402-02T-XXX-R27-L14	01S	93S	.018	4	2
KPD104M51	R100-0402-02T-XXX-R27-L14	01S	93S	.018	4	2
KPD1201H	R100-0402-02T-XXX-R27-L14	01S	93S	.018	4	2
KPD1203H	R100-0402-02T-XXX-R27-L14	01S	93S	.018	4	2
KPD1203K	R100-0402-02T-XXX-R27-L14	01S	93S	.018	4	2
KPD151M53	R100-0402-02T-XXX-R27-L14	01S	93S	.018	4	2
KPD1801H	R100-0402-02T-XXX-R27-L14	01S	93S	.020	4	2
KPD1803H	R100-0402-02T-XXX-R27-L14	01S	93S	.018	4	2
KPD1803K	R100-0402-02T-XXX-R27-L14	01S	93S	.018	4	2
KPDA020P-H8	R100-0403-06T-XXX-R27-L14	75S	93S	.018	4	3
KPDA050P-H8	R100-0403-06T-XXX-R27-L14	75S	93S	.018	4	3
KPDA100P-H8	R100-0403-06T-XXX-R27-L14	75S	93S	.018	4	3

See last page for other mounting types including low profile options.
Heat sink socket available to reduce heat and noise. Contact Andon for details.

Dexerials, Inc.						
Dexerials, Inc. Package Type	Andon Electronics Part Number <i>Replace "XXX" with Terminal Style</i>	Terminal Style		Pin Ø [in]	Page Number	Figure Number
		Thru-Hole	Surface Mount			
KPDB086S-H8	R100-0403-06T-XXX-R27-L14	75S	93S	.018	4	3
KPDE020-H8	R100-0403-07T-XXX-R27-L14	211S	384S	.018	4	4
KPDE0301M51	R100-0402-02T-XXX-R27-L14	01S	93S	.018	4	2
KPDE030-H8	R100-0403-07T-XXX-R27-L14	211S	384S	.018	4	4
KPDE030SL-H8	R100-0403-07T-XXX-R27-L14	211S	384S	.018	4	4
KPDE086-H85P	R100-SP06-06T-XXX-R27-L14	400T4	414T4	.012	5	7
KPDE086S-H8	R100-0403-06T-XXX-R27-L14	75S	93S	.018	4	3
KPDE086S-H85P	R100-SP06-06T-XXX-R27-L14	400T4	414T4	.014	5	7
KPDE150-H45	R100-SP05-06T-XXX-R27-L14	274K	281K	.018	5	12
KPDE300-H53	R200-0403-04T-XXX-R27-L14	01S	93S	.018	5	8
KPDEA005-56F	R080-0403-01N-XXX-R27-L14	274K	281K	.018	4	1
KPDEA007-56F	R080-0403-01N-XXX-R27-L14	274K	281K	.018	4	1
KPDF030F22-H8	R100-0403-07T-XXX-R27-L14	211S	384S	.018	4	4
KPDF030F26-H8	R100-0403-07T-XXX-R27-L14	211S	384S	.018	4	4
KPDG008-H8	R100-0403-07T-XXX-R27-L14	211S	384S	.018	4	4
KPDU086SU27-H11Q	R100-0402-02T-XXX-R27-L14	01S	93S	.018	4	2
KPDU086SU31-H11Q	R100-0402-02T-XXX-R27-L14	01S	93S	.018	4	2
KPDX10G-H34S	R100-SP05-01T-XXX-R27-L14	274UM	281UM	.010-.018	5	11
KPDX10G-T	R100-0404-02T-XXX-R27-L14	400T4	414T4	.014	4	6
KPDX150MB-H33	R100-0506-01T-XXX-R27-L14	400T4	414T4	.014	5	10
KPDX150MB-T	R100-0404-02T-XXX-R27-L14	400T4	414T4	.014	4	6
KPDX1GK-H33	R100-0506-01T-XXX-R27-L14	400T4	414T4	.014	5	10
KPDX1GK-T	R100-0404-02T-XXX-R27-L14	400T4	414T4	.014	4	6
KPDX2GK-H33	R100-0506-01T-XXX-R27-L14	400T4	414T4	.014	5	10
KPDX2GK-T	R100-0404-02T-XXX-R27-L14	400T4	414T4	.014	4	6
KPDX4G-H33	R100-0506-01T-XXX-R27-L14	400T4	414T4	.014	5	10
KPDX4G-T	R100-0404-02T-XXX-R27-L14	400T4	414T4	.014	4	6
KPDXA10G-H34S	R100-SP05-01T-XXX-R27-L14	274UM	281UM	.010-.018	5	11
KPDXA10G-T	R100-0404-02T-XXX-R27-L14	400T4	414T4	.014	4	6
KPDXA1GK-H33	R100-0506-01T-XXX-R27-L14	400T4	414T4	.014	5	10
KPDXA1GK-T	R100-0404-02T-XXX-R27-L14	400T4	414T4	.014	4	6
KPDXA2GK-H33	R100-0506-01T-XXX-R27-L14	400T4	414T4	.014	5	10
KPDXA2GK-T	R100-0404-02T-XXX-R27-L14	400T4	414T4	.014	4	6
KPGX1GK-H33	R100-0506-01T-XXX-R27-L14	400T4	414T4	.014	5	10
KPGX1GK-T	R100-0404-02T-XXX-R27-L14	400T4	414T4	.014	4	6
KPGX2GK-H33	R100-0506-01T-XXX-R27-L14	400T4	414T4	.014	5	10
KPGX2GK-LR33S	R100-0506-01T-XXX-R27-L14	400T4	414T4	.014	5	10
KPGX2GK-T	R100-0404-02T-XXX-R27-L14	400T4	414T4	.014	4	6
KPGX4G-H33	R100-0506-01T-XXX-R27-L14	400T4	414T4	.014	5	10
KPGX4G-LR33S	R100-0506-01T-XXX-R27-L14	400T4	414T4	.014	5	10
KPGX4G-T	R100-0404-02T-XXX-R27-L14	400T4	414T4	.014	4	6
KPID020D-H8	R100-0403-07T-XXX-R27-L14	211S	384S	.018	4	4
KPID050M-H8	R100-0403-07T-XXX-R27-L14	211S	384S	.018	4	4
KPID1301H	R100-0402-02T-XXX-R27-L14	01S	93S	.018	4	2
KPMC24B	R200-0404-01T-XXX-R27-L14	75S	265S	.018	5	9
KPT081M31	R100-0402-02T-XXX-R27-L14	01S	93S	.018	4	2
KPT801HB2	R100-0402-02T-XXX-R27-L14	01S	93S	.018	4	2
KPT811H3	R100-0403-06T-XXX-R27-L14	75S	93S	.018	4	3

See last page for other mounting types including low profile options.
Heat sink socket available to reduce heat and noise. Contact Andon for details.

Andon Proprietary Information
RoHS Compliant

©Copyright 2026 Andon Electronics Corporation. All Rights Reserved. This material is protected under US and other copyrights and may not be copied, sold, or redistributed in any form without written permission of Andon Electronics Corporation. Copyrights and trademarks are property of their respective companies. We reserve the right to change specifications without notice. Andon makes no warranty, expressed or implied, as to the suitability of the sockets for the intended purpose.

*Sockets are not drawn to scale Dexerials, Inc. 05/13/2026

Socket Blueprint Details

Top View Shown

Units: in [mm]

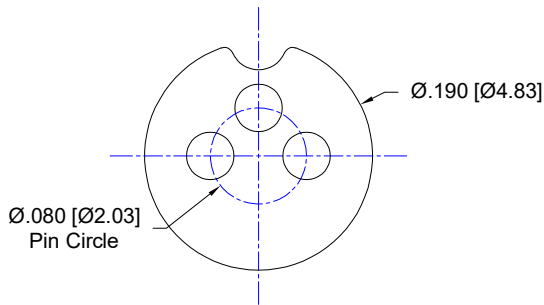


FIG: 1
Thru-Hole: R080-0403-01N-274K-R27-L14
Surface Mount: R080-0403-01N-281K-R27-L14

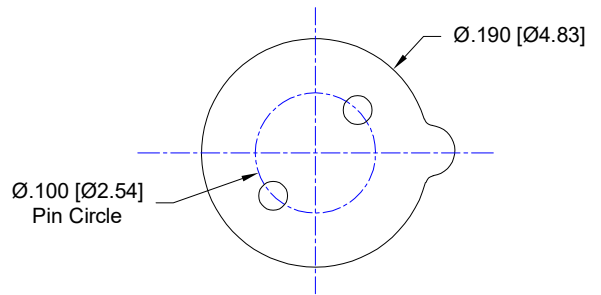


FIG: 2
Thru-Hole: R100-0402-02T-01S-R27-L14
Surface Mount: R100-0402-02T-93S-R27-L14

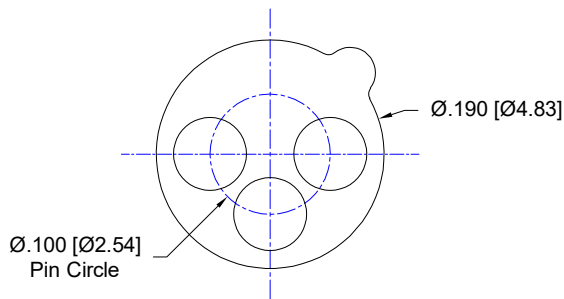


FIG: 3
Thru-Hole: R100-0403-06T-75S-R27-L14
Surface Mount: R100-0403-06T-265S-R27-L14

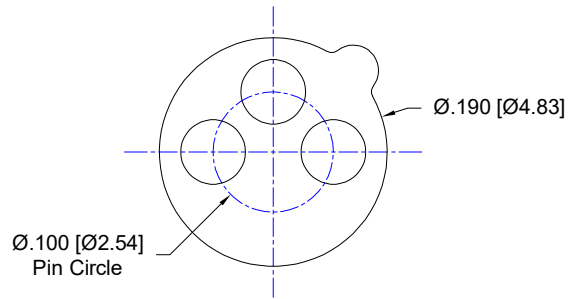


FIG: 4
Thru-Hole: R100-0403-07T-211S-R27-L14
Surface Mount: R100-0403-07T-384S-R27-L14

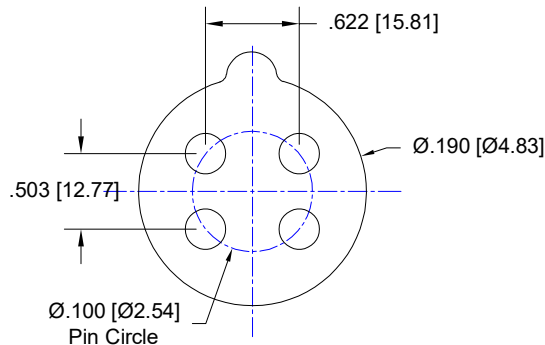


FIG: 5
Thru-Hole: R100-0404-02T-75S-R27-L14
Surface Mount: R100-0404-02T-265S-R27-L14

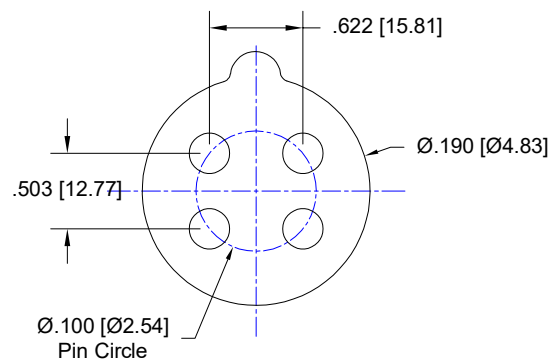


FIG: 6
Thru-Hole: R100-0404-02T-400T4-R27-L14
Surface Mount: R100-0404-02T-414T4-R27-L14

Socket Blueprint Details

Top View Shown

Units: in [mm]

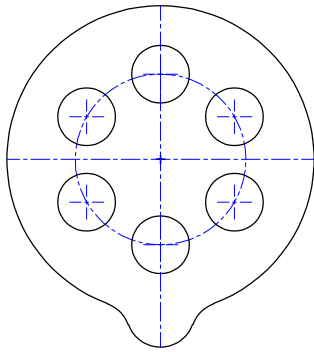


FIG: 7

Thru-Hole: R100-SP06-06T-400T4-R27-L14

Surface Mount: R100-SP06-06T-414T4-R27-L14

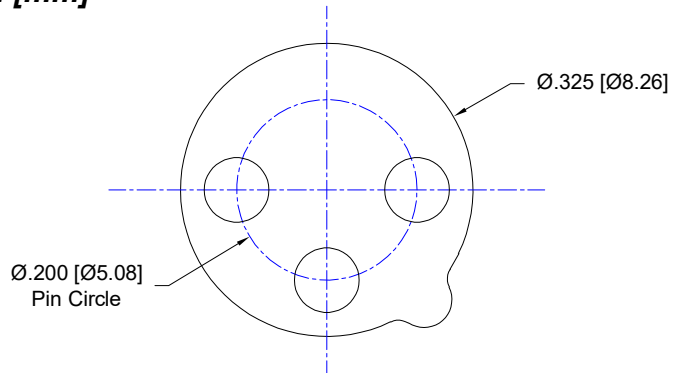


FIG: 8

Thru-Hole: R200-0403-04T-01S-R27-S14

Surface Mount: R200-0403-04T-93S-R27-S14

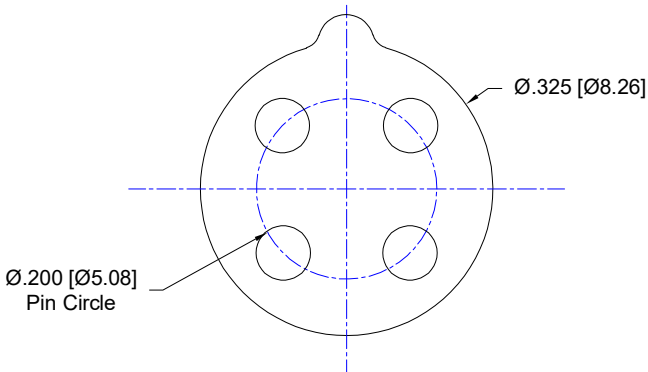


FIG: 9

Thru-Hole: R200-0404-01T-75S-R27-S14

Surface Mount: R200-0404-01T-265S-R27-S14

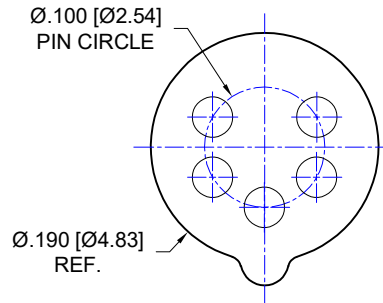


FIG: 10

Thru-Hole: R100-0506-01T-400T4-R27-L14

Surface Mount: R100-0506-01T-414T4-R27-L14

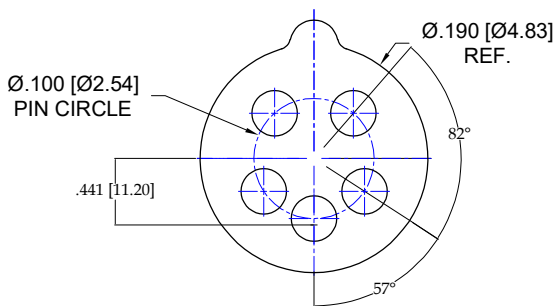


FIG: 11

Thru-Hole: R100-SP05-01T-274UM-R27-L14

Surface Mount: R100-SP05-01T-281UM-R27-L14

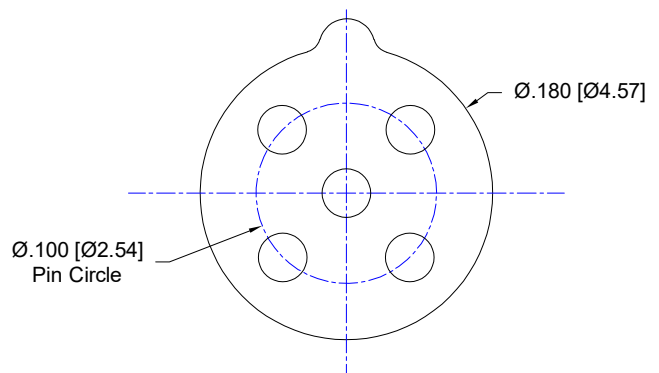


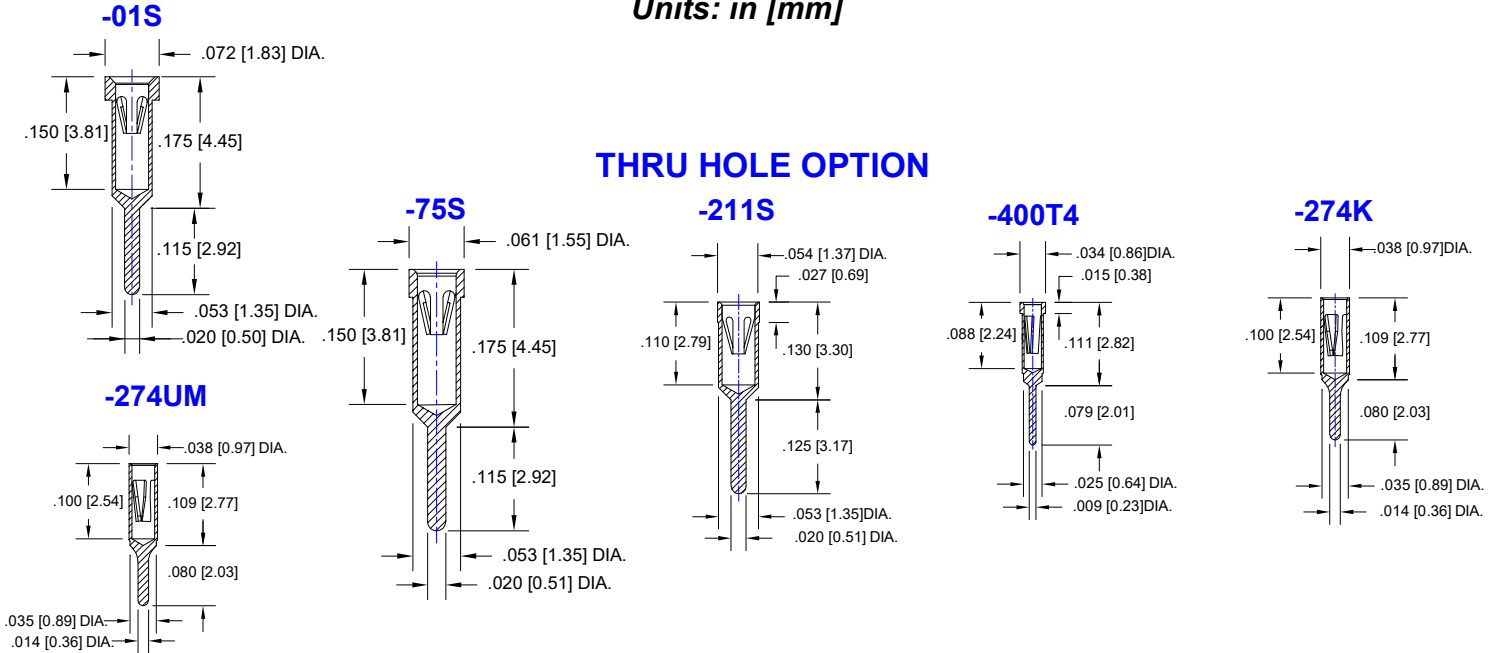
FIG: 12

Thru-Hole: R100-SP05-06T-274K-R27-L14

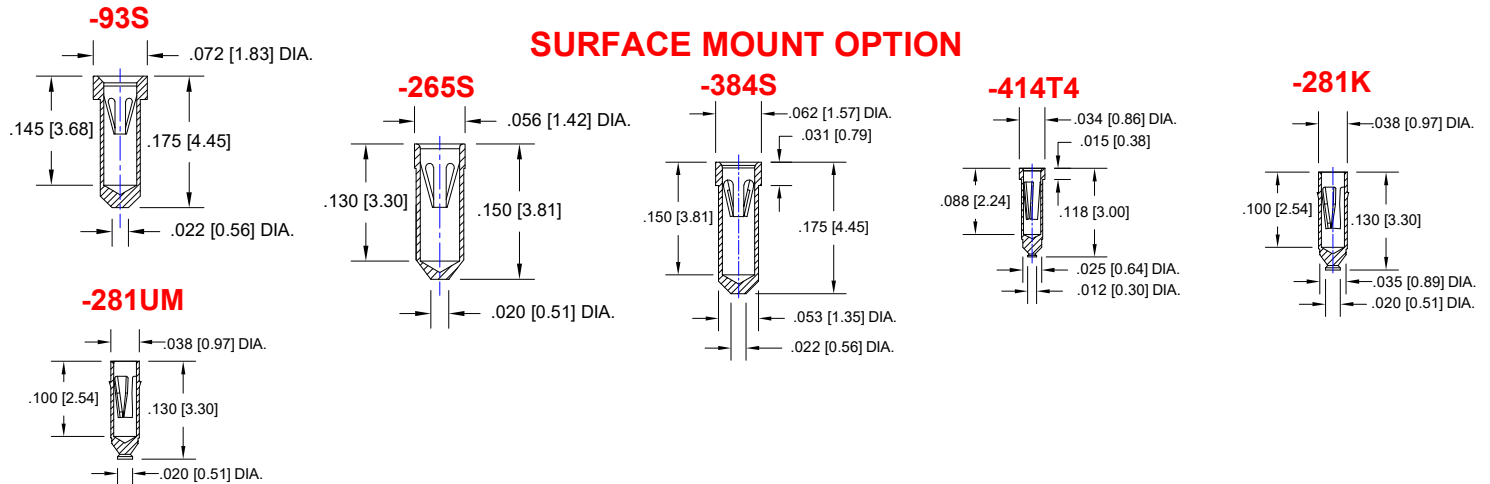
Surface Mount: R100-SP05-06T-281K-R27-L14

Cross Section View Shown Units: in [mm]

THRU HOLE OPTION



SURFACE MOUNT OPTION



Material:

Insulator: Hi-Temp UL 94V-O
 Terminal: Brass, per ASTM-B16
 Contact: BeCu, Per ASTM-B194

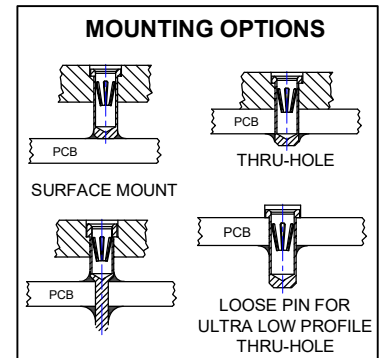
Plating: RoHS COMPLIANT

R27 TERMINAL: GOLD / CONTACT: GOLD
R17 TERMINAL: TIN / CONTACT: GOLD
OTHER PLATINGS AVAILABLE

Terminal Acceptance and Forces

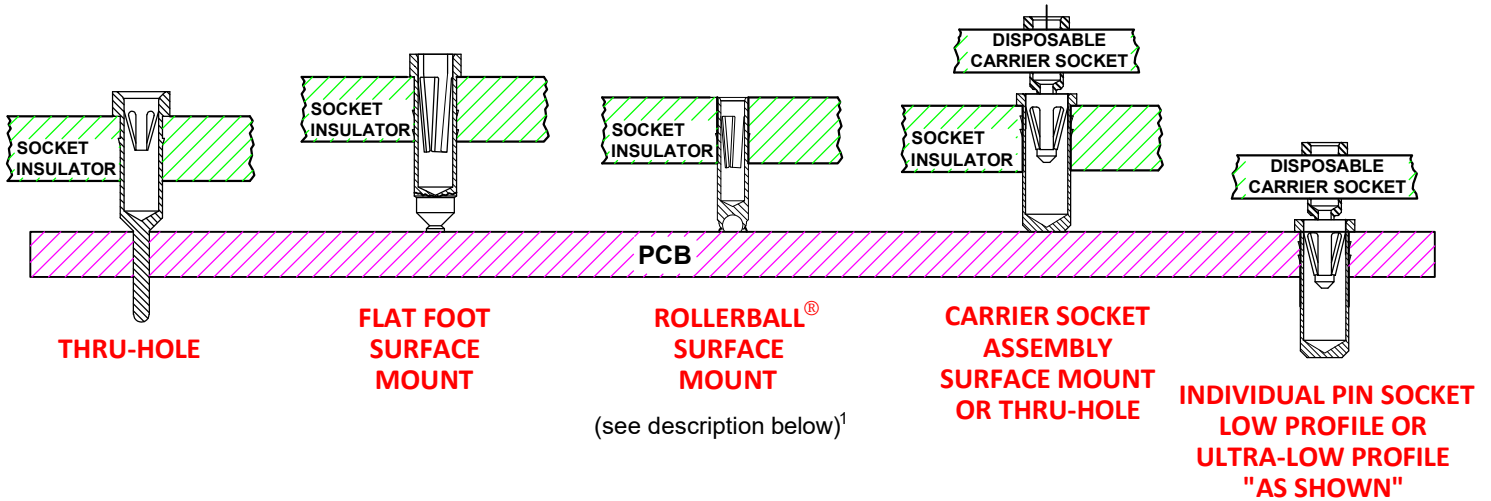
Thru Hole Socket Terminals				Surface Mount Socket Terminals			
Thru Hole Terminal	Accepts Pin Diameter	Insertion Force	Withdrawal Force	Surface Mount Terminal	Accepts Pin Diameter	Insertion Force	Withdrawal Force
-400T4	Ø.012 [Ø0.30]	1.1 oz Max	0.3 oz Min	-414T4	Ø.012 [Ø0.30]	1.1 oz Max	0.3 oz Min
-274K	Ø.018 [Ø0.46]	1.0 oz Max	0.5 oz Min	-281K	Ø.018 [Ø0.46]	1.0 oz Max	0.5 oz Min
-01S	Ø.018 [Ø0.46]	9.0 oz Avg.	2.0 oz Min	-93S	Ø.018 [Ø0.46]	9.0 oz Avg.	2.0 oz Min
-75S	Ø.018 [Ø0.46]	9.0 oz Avg.	2.0 oz Min	-265S	Ø.018 [Ø0.46]	9.0 oz Avg.	2.0 oz Min
-211S	Ø.018 [Ø0.46]	9.0 oz Avg.	2.0 oz Min	-384S	Ø.018 [Ø0.46]	9.0 oz Avg.	2.0 oz Min
-274UM	Ø.015 [Ø0.38]	2.10 oz Avg.	0.5 oz Min	-281UM	Ø.015 [Ø0.38]	2.10 oz Avg.	0.5 oz Min

MOUNTING OPTIONS



Andon Proprietary Information
RoHS Compliant

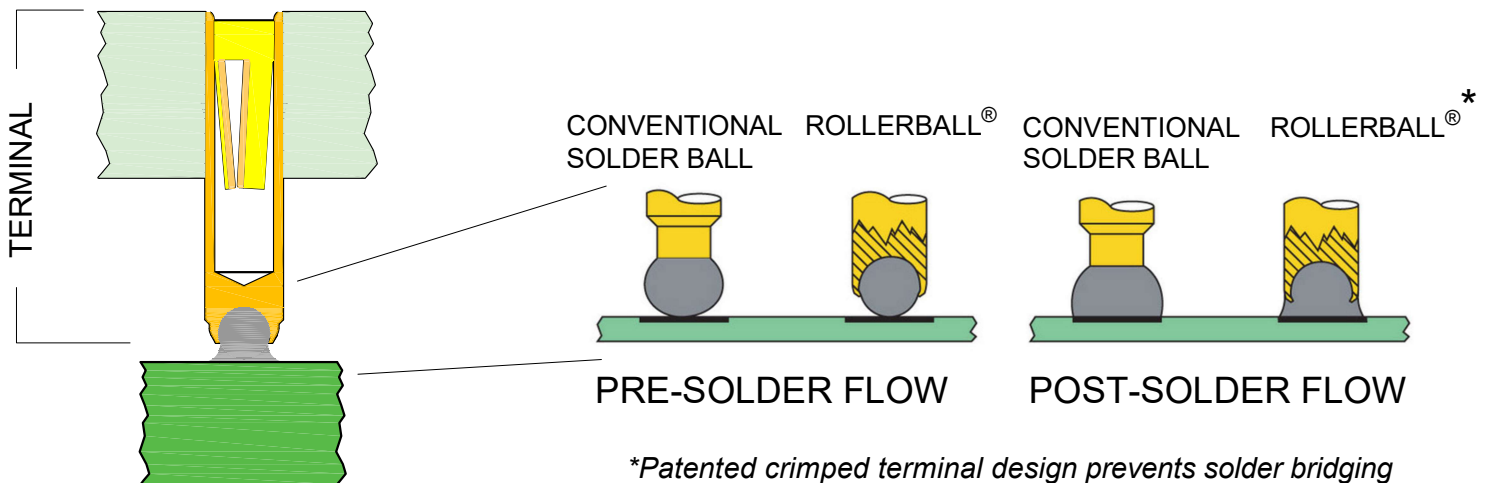
*Sockets are not drawn to scale **Dexterials, Inc.** 05/13/2026



¹Andon's patented Rollerball[®] socket terminal option provides more accurate soldering, a stronger connection, and improved electrical connectivity - especially under shock and vibration - than other solder ball terminal designs. Better yet, it can enable you to avoid expensive rework and scrap - especially with larger PCBs where coplanarity is an inherent challenge.

The bottom of these terminals has a radiused hole, to prevent gas entrapment. The terminal is crimped over the solder ball beyond its hemisphere, encapsulating it - leaving just enough of the solder ball exposed to provide sufficient solder without the solder bridging common in conventional solder ball terminal designs.

With this unique design, the critical distance between the terminal and the PC board pad is typically reduced from .036"-.040" to .018"-.022". As such, the solder becomes part of the "anchor" cross-section - providing additional mechanical strength to the connection, as well as improved electrical connectivity. Because it also provides controlled dispersion of solder, this encapsulated solder ball reduces the risk of solder bridging inherent in conventional solder ball terminal designs.



For fast, accurate placement of SIP sockets and ultra-low profile terminals

Phase 1:
Receive Carrier Assemblies designed to your pin layout.



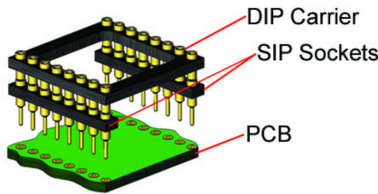
Phase 2:
Place carrier assemblies onto PCB; run through your soldering process.



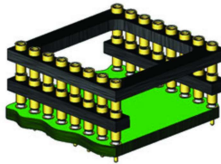
Phase 3:
Remove carrier and plug in your device; discard carrier or send back to our factory for reloading.

DIP

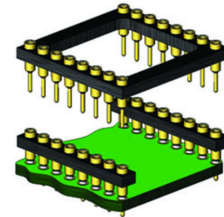
Before Soldering



During Soldering

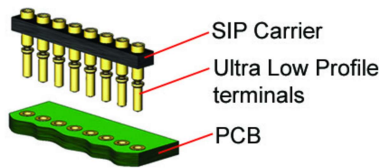


After Soldering

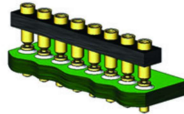


ULTRA-LOW PROFILE SIP

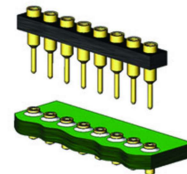
Before Soldering



During Soldering

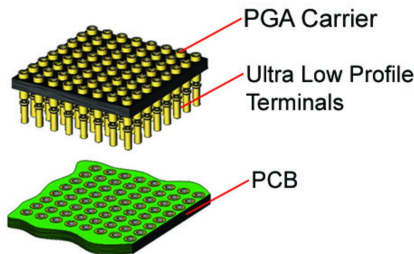


After Soldering

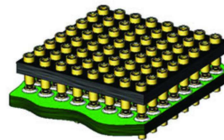


ULTRA-LOW PROFILE PGA

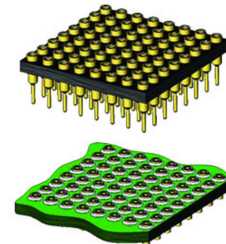
Before Soldering



During Soldering

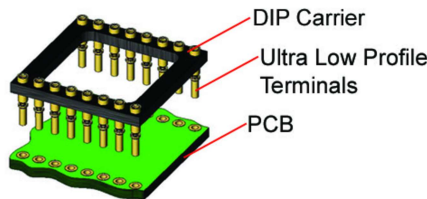


After Soldering

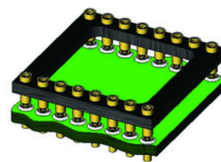


ULTRA LOW PROFILE DIP

Before Soldering



During Soldering



After Soldering

