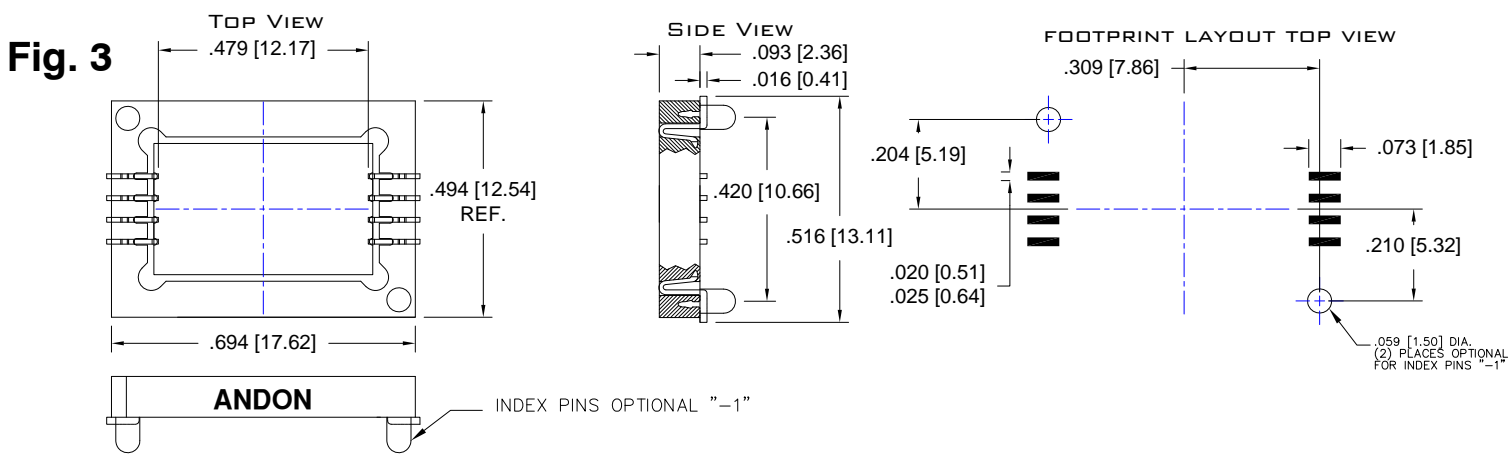
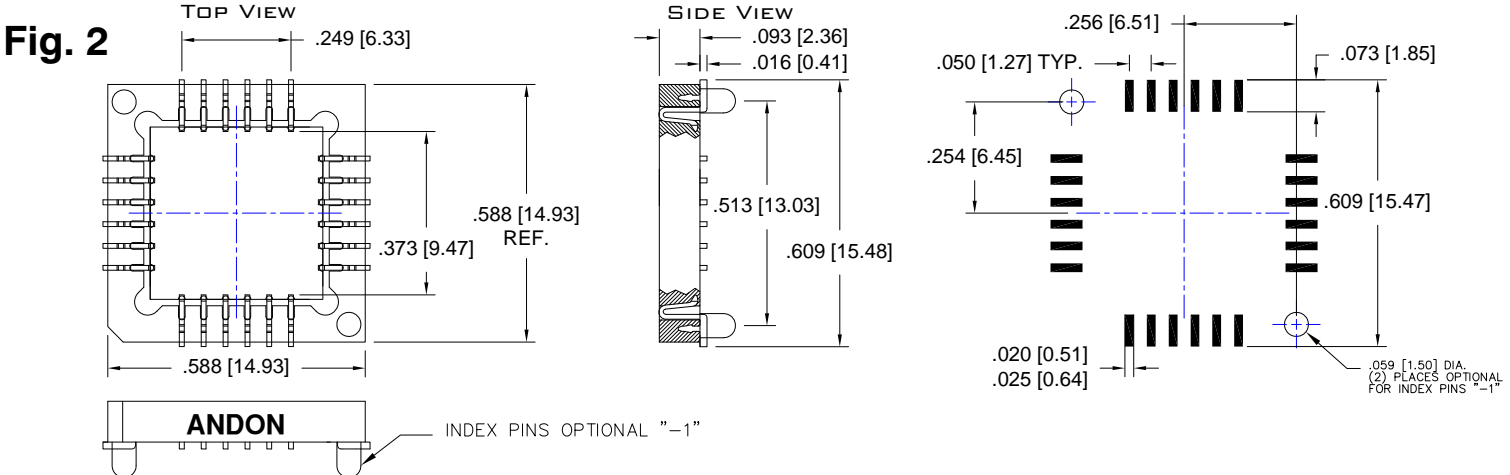
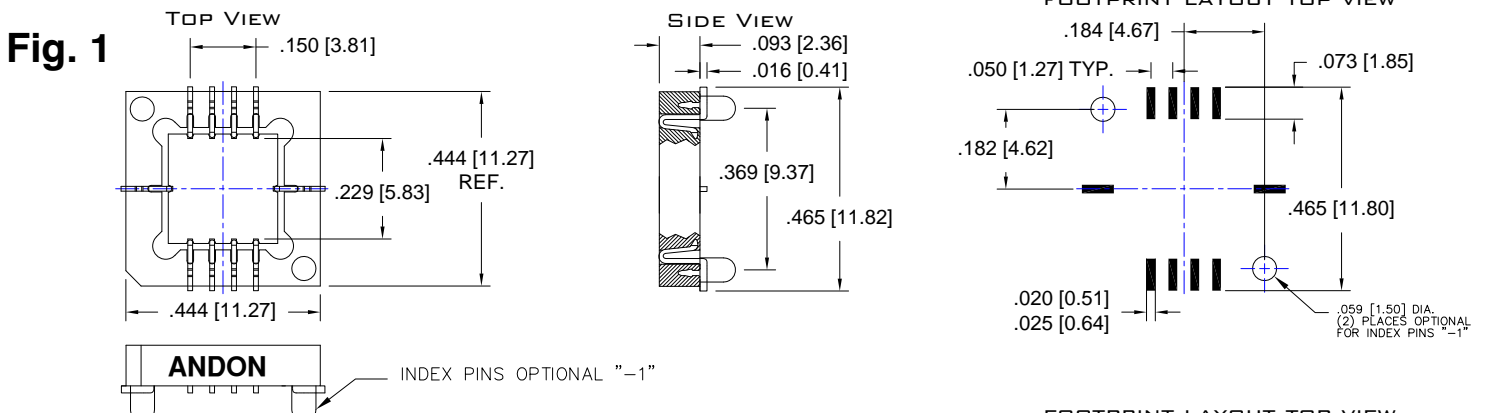


DIGISENSOR CO., LTD						
DIGISENSOR CO., LTD Model Number	Andon Part Number Replace "XXX" with Terminal Type	Terminal Type		Pin Ø [in]	Figure Number	Page Number
		Adapter	Surface Mount			
MDSM-1000A-B	620-10B-SM-G10-L14-1	-	-	-	1	1
MDS-CP	620-08E-SM-G10-L14-1	-	-	-	3	1
MDS-CPT	620-08E-SM-G10-L14-1	-	-	-	3	1
MDS-02-0010F	620-24B-SM-G10-L14-1	-	-	-	2	1
MDS-02-0010C	620-24B-SM-G10-L14-1	-	-	-	2	1



©Copyright 2014 Andon Electronics Corporation. All Rights Reserved. This material is protected under US and other copyrights and may not be copied, sold, or redistributed in any form without written permission of Andon Electronics Corporation. Copyrights and trademarks are property of their respective companies. We reserve the right to change specifications without notice. Andon makes no warranty, expressed or implied, as to the suitability of the sockets for the intended purpose.

"ANDON PROPRIETARY INFORMATION"
RoHS Compliant

*Sockets are not drawn to scale DIGISENSOR CO.,LTD 10/02/2014