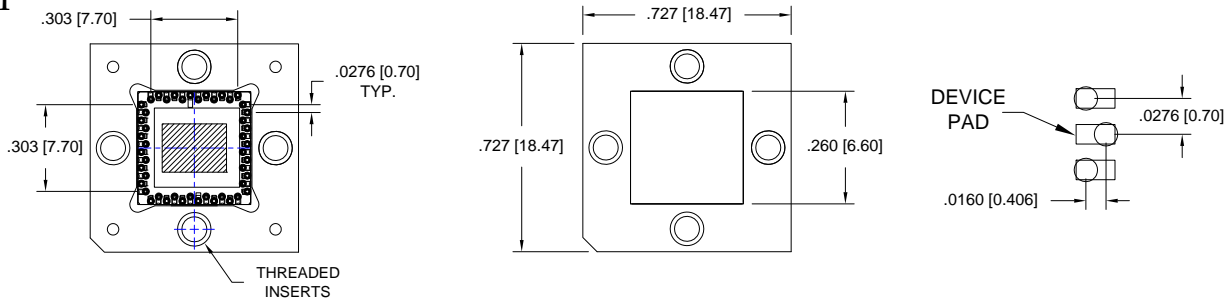


BYD MICROELECTRONICS CO LTD						
BYD MICROELECTRONICS CO LTD Model Number	Andon Part Number Replace "XXX" with Terminal Type	Terminal Type		Pin Ø [in]	Figure Number	Page Number
		Thru-Hole	Surface Mount			
BF3003U	685-48-XXX-491-R27-L14	-	-	-	1	1
BF1510D	C10-3318-08-01-XXX-R27-L14	01S	93S	.018	2	1

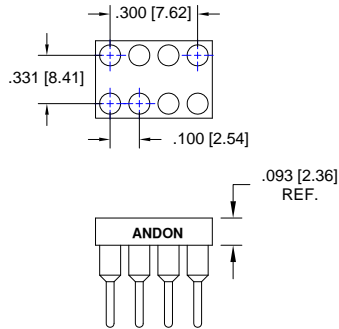
FIG. 1



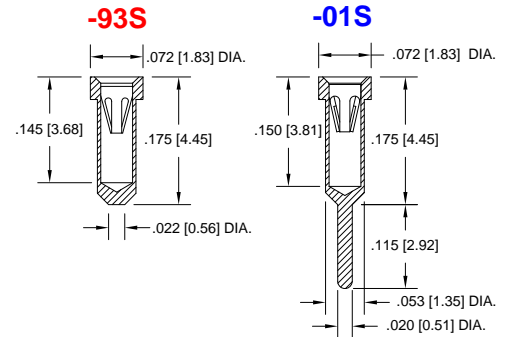
Thru-Hole: 685-48-TH-491-R27-L14-X
Surface Mount: 685-48-SM-500-R27-L14-X

Replace "-X" with "-1" for index pins or "-0" for none *NON MAGNETIC PLATING AVAILABLE - G55*

FIG. 2



Thru-Hole: C10-3318-08-01-01S-R27-L14
Surface Mount: C10-3318-08-01-93S-R27-L14



Technical Information

Material:

Insulator: Hi-Temp UL 94V-O
Terminal: Brass, per ASTM-B16
Contact: BeCu, Per ASTM-B194

Plating: RoHS COMPLIANT

R15 TERMINAL: GOLD / CONTACT: GOLD
R17 TERMINAL: TIN / CONTACT: GOLD
OTHER PLATINGS AVAILABLE

Terminal Acceptance and Forces							
Thru Hole Terminals				Surface Mount Terminals			
Thru Hole Terminal	Accepts Pin Diameter	Insertion Force	Withdrawal Force	Surface Mount Terminal	Accepts Pin Diameter	Insertion Force	Withdrawal Force
-01S	Ø.018 [Ø0.46]	9.0 oz Avg.	2.0 oz Min	-93S	Ø.018 [Ø0.46]	9.0 oz Avg.	2.0 oz Min

