



**HIGH RELIABILITY
GAS SOCKETS FOR
WINSEN ELECTRONICS**

Winsen



Featuring Andon's Unique SenstacTM Contact

WINSSEN ELECTRONICS						
WINSSEN ELECTRONICS Model Number	Andon Part Number Replace "XXX" with Terminal Type	Terminal Type		Pin Ø [in]	Page Number	Figure Number
		Thru-Hole	Surface Mount			
4R-PID	R300-SP03-02T-XXX-R27-L14	436P55	440P55	.060	6	11
EE4-CO	R660-0804-01N-XXX-R27-L14	433E	285E	.040	7	20
MC101	R230-0404-02T-XXX-R27-L14	01P28	93P28	.028	7	18
MC105	R230-0404-02T-XXX-R27-L14	01P28	93P28	.028	7	18
MC106B	R230-0404-02T-XXX-R27-L14	01P28	93P28	.028	7	18
MC107	R230-0404-02T-XXX-R27-L14	01P28	93P28	.028	7	18
MC107B	R230-0404-02T-XXX-R27-L14	01P28	93P28	.028	7	18
MC112	CSP433-04-01-XXX-R27-L14	01P28	93P28	.028	4	3
MC112C	CSP373-04-01-XXX-R27-L14	01P28	93P28	.028	4	2
MC112D	CSP433-04-01-XXX-R27-L14	01P28	93P28	.028	4	3
MC113	CSP433-04-01-XXX-R27-L14	01P28	93P28	.028	4	3
MC113C	CSP373-04-01-XXX-R27-L14	01P28	93P28	.028	4	2
MC114	CSP433-04-01-XXX-R27-L14	01P28	93P28	.028	4	3
MC114C	CSP373-04-01-XXX-R27-L14	01P28	93P28	.028	4	2
MC21B	R230-0404-02T-XXX-R27-L14	01P28	93P28	.028	7	18
MC33J	CSP433-04-01-XXX-R27-L14	01P28	93P28	.028	4	3
MD61	CSP433-04-01-XXX-R27-L14	01P28	93P28	.028	4	3
MD62	CSP433-04-01-XXX-R27-L14	01P28	93P28	.028	4	3
ME2-CH2O-Φ 16	CSP787-02-01-XXX-R27-L14	436P55	440P55	.060	5	4
ME2-CO	R530-SP02-05N-XXX-R27-L14	436P55	440P55	.060	5	5
ME2-CO-Φ 14X5	CSP487-03-01-XXX-R27-L14	01P28	93P28	.031	9	29
ME2-CO-Φ 14X50-C	CSP1940-03-01-XXX-R27-L14	01P28	93P28	.027	9	28
ME2-O2-Φ 20	R530-0403-02N-XXX-R27-L14	436P55	440P55	.060	5	7
ME3-C2H3C1	R530-0403-02N-XXX-R27-L14	436P55	440P55	.060	5	7
ME3-C2H4	R530-0403-02N-XXX-R27-L14	436P55	440P55	.060	5	7
ME3-C2H6S	R530-0403-02N-XXX-R27-L14	436P55	440P55	.060	5	7
ME3-C2H6S	R530-0403-02N-XXX-R27-L14	436P55	440P55	.060	5	7
ME3-C2H6S2	R530-0403-02N-XXX-R27-L14	436P55	440P55	.060	5	7
ME3-C2H6S2	R530-0403-02N-XXX-R27-L14	436P55	440P55	.060	5	7
ME3-C3H9N	R530-0403-02N-XXX-R27-L14	436P55	440P55	.060	5	7
ME3-C6H6	R530-0403-02N-XXX-R27-L14	436P55	440P55	.060	5	7
ME3-C7H8	R530-0403-02N-XXX-R27-L14	436P55	440P55	.060	5	7
ME3-C8H8	R530-0403-02N-XXX-R27-L14	436P55	440P55	.060	5	7
ME3-CH2CHCI	R530-0403-02N-XXX-R27-L14	436P55	440P55	.060	5	7
ME3-CH2O	R530-0403-02N-XXX-R27-L14	436P55	440P55	.060	5	7
ME3-CH4S	R530-0403-02N-XXX-R27-L14	436P55	440P55	.060	5	7
ME3-CL2	R530-0403-02N-XXX-R27-L14	436P55	440P55	.060	5	7
ME3-CO	R530-0403-02N-XXX-R27-L14	436P55	440P55	.060	5	7
ME3-CS2	R530-0403-02N-XXX-R27-L14	436P55	440P55	.060	5	7
ME3-ETO	R530-0403-02N-XXX-R27-L14	436P55	440P55	.060	5	7
ME3-H2	R530-0403-02N-XXX-R27-L14	436P55	440P55	.060	5	7
ME3-H2S	R530-0403-02N-XXX-R27-L14	436P55	440P55	.060	5	7
ME3-HCL	R530-0403-02N-XXX-R27-L14	436P55	440P55	.060	5	7
ME3-HCN	R530-0403-02N-XXX-R27-L14	436P55	440P55	.060	5	7
ME3-HF	R530-0403-02N-XXX-R27-L14	436P55	440P55	.060	5	7
ME3-NH3	R530-0403-02N-XXX-R27-L14	436P55	440P55	.060	5	7
ME3-NO2	R530-0403-02N-XXX-R27-L14	436P55	440P55	.060	5	7

See last page for other mounting types including low profile options.
Heat sink socket available to reduce heat and noise. Contact Andon for details.

WINSEN ELECTRONICS						
WINSEN ELECTRONICS Model Number	Andon Part Number Replace "XXX" with Terminal Type	Terminal Type		Pin Ø [in]	Page Number	Figure Number
		Thru-Hole	Surface Mount			
ME3-O2	R530-0403-02N-XXX-R27-L14	436P55	440P55	.060	5	7
ME3-O3	R530-0403-02N-XXX-R27-L14	436P55	440P55	.060	5	7
ME3-PH3	R530-0403-02N-XXX-R27-L14	436P55	440P55	.060	5	7
ME3-SO2	R530-0403-02N-XXX-R27-L14	436P55	440P55	.060	5	7
ME3-SO2/HCL	R530-0403-02N-XXX-R27-L14	436P55	440P55	.060	5	7
ME4-C6H6	R660-0804-01N-XXX-R27-L14	433E	285E	.040	7	20
ME4-CL2	R660-0804-01N-XXX-R27-L14	433E	285E	.040	7	20
ME4-CO	R660-0804-01N-XXX-R27-L14	433E	285E	.040	7	20
ME4-CO-E4	R660-0804-01N-XXX-R27-L14	433E	285E	.040	7	20
ME4-ETO	R660-0804-01N-XXX-R27-L14	433E	285E	.040	7	20
ME4-H2	R660-0804-01N-XXX-R27-L14	433E	285E	.040	7	20
ME4-H2S	R660-0804-01N-XXX-R27-L14	433E	285E	.040	7	20
ME4-NH3	R660-0804-01N-XXX-R27-L14	433E	285E	.040	7	20
ME4-NO2	R660-0804-01N-XXX-R27-L14	433E	285E	.040	7	20
ME4-O3-E4	R660-0804-01N-XXX-R27-L14	433E	285E	.040	7	20
ME4-SO2	R660-0804-01N-XXX-R27-L14	433E	285E	.040	7	20
ME4-SO ₂	R660-0804-01N-XXX-R27-L14	433E	285E	.040	7	20
MEu-2CO	R530-0402-02N-XXX-R27-L14	436P55	440P55	.060	5	6
MEu-2O2	R530-SP03-05N-XXX-R27-L14	436P55	440P55	.060	6	12
MEu-CO	R530-0402-02N-XXX-R27-L14	436P55	440P55	.060	5	6
MEu-H2S	R530-0402-02N-XXX-R27-L14	436P55	440P55	.060	5	6
MEu-O2	R530-0403-02N-XXX-R27-L14	436P55	440P55	.060	5	7
MEv-GH01	CSP487-03-01-XXX-R27-L14	01P28	93P28	.031	9	29
MG-812	R173-0804-03T-XXX-R27-L14	01P28	93P28	.024	6	15
MH-410D	R420-SP05-04T-XXX-R27-L14	436P55	440P55	.060	7	21
MH-411D	R420-SP05-04T-XXX-R27-L14	436P55	440P55	.060	7	21
MH-440D	R420-SP05-04T-XXX-R27-L14	436P55	440P55	.060	7	21
MH-441D	R420-SP05-04T-XXX-R27-L14	436P55	440P55	.060	7	21
MH-441D-454B	R420-SP05-04T-XXX-R27-L14	436P55	440P55	.060	7	21
MH-T4041A	R420-SP05-04T-XXX-R27-L14	436P55	440P55	.060	7	21
MP135	R173-0804-03T-XXX-R27-L14	01P28	93P28	.024	6	15
MP-2	R173-0804-03T-XXX-R27-L14	01P28	93P28	.024	6	15
MP38	R173-0804-03T-XXX-R27-L14	01P28	93P28	.020	6	15
MP-3B	R173-0804-03T-XXX-R27-L14	01P28	93P28	.024	6	15
MP-4	R173-0804-03T-XXX-R27-L14	01P28	93P28	.020	6	15
MP-5	R173-0804-03T-XXX-R27-L14	01P28	93P28	.024	6	15
MP503	R173-0804-03T-XXX-R27-L14	01P28	93P28	.024	6	15
MP510C	R173-0804-03T-XXX-R27-L14	01P28	93P28	.024	6	15
MP511D	R173-0804-03T-XXX-R27-L14	01P28	93P28	.024	6	15
MP-7	R173-0804-03T-XXX-R27-L14	01P28	93P28	.024	6	15
MP702	R173-0804-03T-XXX-R27-L14	01P28	93P28	.024	6	15
MP801	R173-0804-03T-XXX-R27-L14	01P28	93P28	.024	6	15
MP810	R173-0804-03T-XXX-R27-L14	01P28	93P28	.024	6	15
MP-9 CO/CH4	R200-0404-01T-XXX-R27-L14	01P28	93P28	.024	7	17
MP901	R200-SP03-05T-XXX-R27-L14	01S	93S	.018	6	10
MP905	R200-SP03-05T-XXX-R27-L14	01S	93S	.018	6	10
MQ-131	R375-0806-01T-XXX-R27-L14	433E	285E	.040	8	27

See last page for other mounting types including low profile options.
Heat sink socket available to reduce heat and noise. Contact Andon for details.

WINSEN ELECTRONICS						
WINSEN ELECTRONICS Model Number	Andon Part Number Replace "XXX" with Terminal Type	Terminal Type		Pin Ø [in]	Page Number	Figure Number
		Thru-Hole	Surface Mount			
MQ-135	R375-0806-01T-XXX-R27-L14	433E	285E	.040	8	27
MQ-136	R375-0806-01T-XXX-R27-L14	433E	285E	.040	8	27
MQ-137	R375-0806-01T-XXX-R27-L14	433E	285E	.040	8	27
MQ138	R375-0806-01T-XXX-R27-L14	433E	285E	.040	8	27
MQ-2	R375-0806-01T-XXX-R27-L14	433E	285E	.040	8	27
MQ-2B	R375-0806-01T-XXX-R27-L14	433E	285E	.040	8	27
MQ303B	R173-0403-01T-XXX-R27-L14	01S	93S	.018	5	8
MQ316	R173-0403-01T-XXX-R27-L14	01S	93S	.018	5	8
MQ-3B	R375-0806-01T-XXX-R27-L14	433E	285E	.040	8	27
MQ-4	R375-0806-01T-XXX-R27-L14	433E	285E	.040	8	27
MQ-4B	R375-0806-01T-XXX-R27-L14	433E	285E	.040	8	27
MQ-5	R375-0806-01T-XXX-R27-L14	433E	285E	.040	8	27
MQ-5B	R375-0806-01T-XXX-R27-L14	433E	285E	.040	8	27
MQ-6	R375-0806-01T-XXX-R27-L14	433E	285E	.040	8	27
MQ-6B	R375-0806-01T-XXX-R27-L14	433E	285E	.040	8	27
MQ-7B	R375-0806-01T-XXX-R27-L14	433E	285E	.040	8	27
MQ-8	R375-0806-01T-XXX-R27-L14	433E	285E	.040	8	27
MQ-8	R375-0806-01T-XXX-R27-L14	433E	285E	.040	8	27
MQ-9B	R375-0806-01T-XXX-R27-L14	433E	285E	.040	8	27
MR513	R278-0804-01T-XXX-R27-L14	295V	439V	.030	7	19
MRT311	R100-0404-02T-XXX-R27-L14	75S	384S	.018	6	14
MRT311S	R100-0404-02T-XXX-R27-L14	75S	384S	.018	6	14
MRT313	R200-0404-01T-XXX-R27-L14	01S	93S	.018	7	16
MRT511	R200-0404-01T-XXX-R27-L14	01S	93S	.018	7	16
MRTD-3011	R200-0404-01T-XXX-R27-L14	01S	93S	.018	7	16
MS-Z2	405-02-XXX-R27-L14	01S	93S	.018	4	1
MS-Z3	405-02-XXX-R27-L14	01S	93S	.018	4	1
MS-Z5	405-02-XXX-R27-L14	01S	93S	.018	4	1
RD-623	R200-0403-02T-XXX-R27-L14	01S	93S	.018	5	9
RD-624	R200-0403-02T-XXX-R27-L14	01S	93S	.018	5	9
RD-626W	R200-0403-02T-XXX-R27-L14	01S	93S	.020	5	9
RD-913FB1	R200-0403-02T-XXX-R27-L14	01S	93S	.020	5	9
RD-913FB2	R200-0403-02T-XXX-R27-L14	01S	93S	.020	5	9
RD-913FB3	R200-0403-02T-XXX-R27-L14	01S	93S	.020	5	9
RD-913FB4	R200-0403-02T-XXX-R27-L14	01S	93S	.020	5	9
RD-913FB5	R200-0403-02T-XXX-R27-L14	01S	93S	.018	5	9
RDA223	R200-0403-02T-XXX-R27-L14	01S	93S	.020	5	9
RDA223F	R200-0403-02T-XXX-R27-L14	01S	93S	.020	5	9
RDA226	R222-0806-01T-XXX-R27-L14	01S	93S	.020	8	23
RDB223	R200-0403-02T-XXX-R27-L14	01S	93S	.018	5	9
RDB224	R200-0404-01T-XXX-R27-L14	01S	93S	.018	7	16
RDB226	R230-0806-06T-XXX-R27-L14	01S	93S	.020	8	24
RDB226-S	R230-0806-05T-XXX-R27-L14	211S	384S	.018	8	25
RPFA913CD	R200-0403-02T-XXX-R27-L14	01S	93S	.020	5	9
RPFA913CE	R200-0403-02T-XXX-R27-L14	01S	93S	.020	5	9
RPFA913CF	R200-0403-02T-XXX-R27-L14	01S	93S	.020	5	9
RPFA913CG	R200-0403-02T-XXX-R27-L14	01S	93S	.018	5	9

See last page for other mounting types including low profile options.
Heat sink socket available to reduce heat and noise. Contact Andon for details.

WINSEN ELECTRONICS						
WINSEN ELECTRONICS Model Number	Andon Part Number Replace "XXX" with Terminal Type	Terminal Type		Pin Ø [in]	Page Number	Figure Number
		Thru-Hole	Surface Mount			
RPTA-628	R200-0403-02T-XXX-R27-L14	01S	93S	.020	5	9
RPTA-646	R200-0403-02T-XXX-R27-L14	01S	93S	.020	5	9
RTGA71	R100-0404-02T-XXX-R27-L14	75S	384S	.018	6	14
RTGA-7111	R100-0404-02T-XXX-R27-L14	75S	384S	.018	6	14
RTTA71	R100-0404-02T-XXX-R27-L14	75S	384S	.018	6	14
VE-MH3	R530-0403-02N-XXX-R27-L14	436P55	440P55	.060	5	7
WPAK63	R307-1006-01N-XXX-R27-L14	01S	93S	.020	8	26
WPAK63J	R307-1006-01N-XXX-R27-L14	01S	93S	.020	8	26
WPCR01	R570-SP03-01N-XXX-R27-L14	01P28	93P28	.028	6	13
WSP2110	R173-0804-03T-XXX-R27-L14	01P28	93P28	.024	6	15
WSP5110	R173-0804-03T-XXX-R27-L14	01P28	93P28	.024	6	15
ZE03	R591-0605-02N-XXX-R27-L14	436P55	440P55	.060	8	22
ZE03-DG	R591-0605-02N-XXX-R27-L14	436P55	440P55	.060	8	22
ZE03G	R591-0605-02N-XXX-R27-L14	436P55	440P55	.060	8	22
ZE801-NH3	R591-0605-02N-XXX-R27-L14	436P55	440P55	.060	8	22
ZE802-C3H9N	R591-0605-02N-XXX-R27-L14	436P55	440P55	.060	8	22
ZE803-H2S	R591-0605-02N-XXX-R27-L14	436P55	440P55	.060	8	22
ZE804-CH4S	R591-0605-02N-XXX-R27-L14	436P55	440P55	.060	8	22
ZE805-C2H6S	R591-0605-02N-XXX-R27-L14	436P55	440P55	.060	8	22
ZE806-C2H6S2	R591-0605-02N-XXX-R27-L14	436P55	440P55	.060	8	22
ZE808-C8H8	R591-0605-02N-XXX-R27-L14	436P55	440P55	.060	8	22
ZE809-OU	R591-0605-02N-XXX-R27-L14	436P55	440P55	.060	8	22

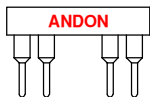
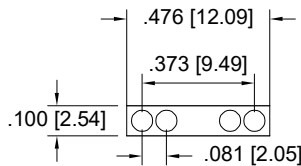
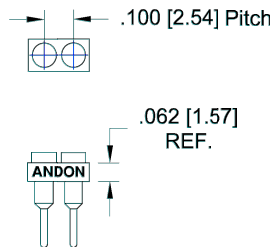


Fig. 2

Thru-Hole: CSP373-04-01-01P28-R27-L14
Surface Mount: CSP373-04-01-93P28-R27-L14

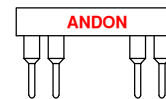
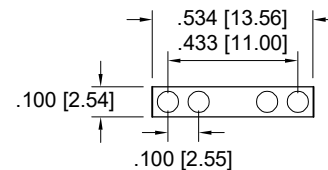


Fig. 3

Thru-Hole: CSP433-04-01-01P28-R27-L14
Surface Mount: CSP433-04-01-93P28-R27-L14

See last page for other mounting types including low profile options.
Heat sink socket available to reduce heat and noise. Contact Andon for details.

WINSON ELECTRONICS *Continued*

Top View Shown
Units: in [mm]

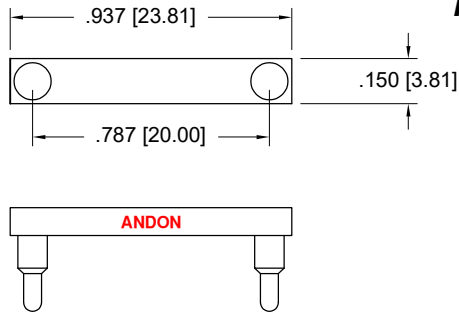


Fig. 4

Thru-Hole: CSP787-02-01-436P55-R27-L14
Surface Mount: CSP787-02-01-440P55-R27-L14

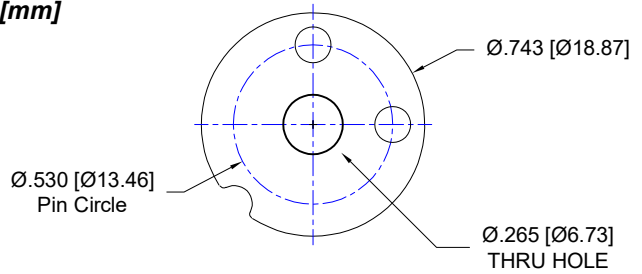


Fig. 5 **2 Pins**

Thru-hole: R530-SP02-05N-436P55-R27-L14
Surface Mount: R530-SP02-05N-440P55-R27-L14

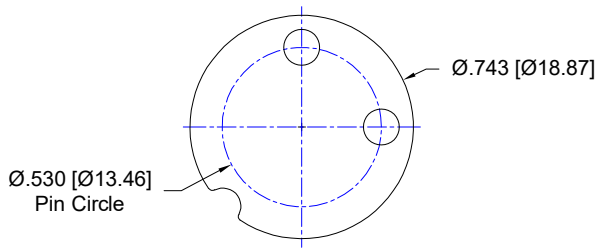


Fig. 6

Thru-Hole: R530-0402-02N-436P55-R27-L14
Surface Mount: R530-0402-02N-440P55-R27-L14

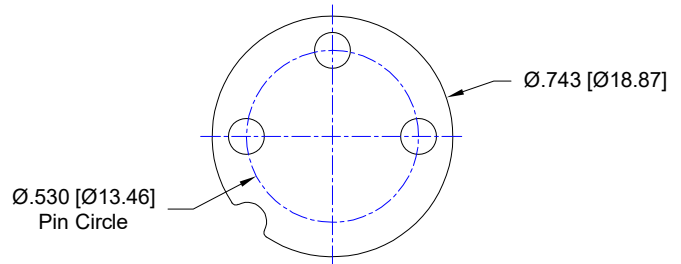


Fig. 7

Thru-Hole: R530-0403-02N-436P55-R27-L14
Surface Mount: R530-0403-02N-440P55-R27-L14

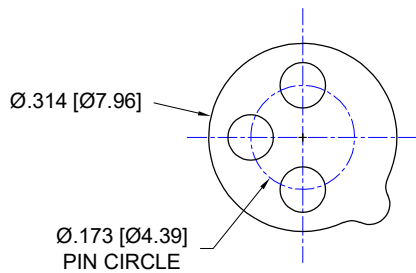


Fig. 8

Thru-Hole: R173-0403-01T-01S-R27-L14
Surface Mount: R173-0403-01T-93S-R27-L14

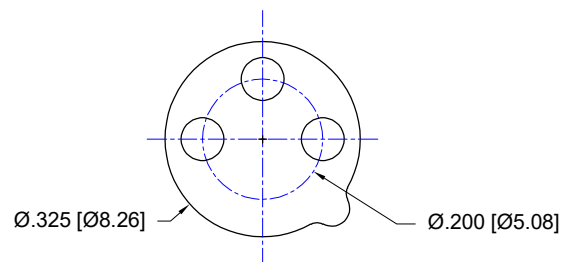


Fig. 9

Thru-Hole: R200-0403-02T-01S-R27-L14
Surface Mount: R200-0403-02T-93S-R27-L14

See last page for other mounting types including low profile options.
Heat sink socket available to reduce heat and noise. Contact Andon for details.

WINSON ELECTRONICS *Continued*

Top View Shown
Units: in [mm]

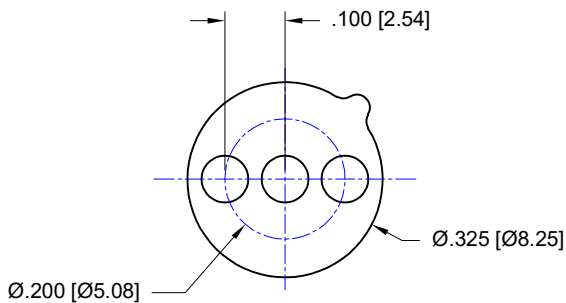


Fig. 10

Thru-Hole: R200-SP03-05T-01S-R27-L14
Surface Mount: R200-SP03-05T-93S-R27-L14

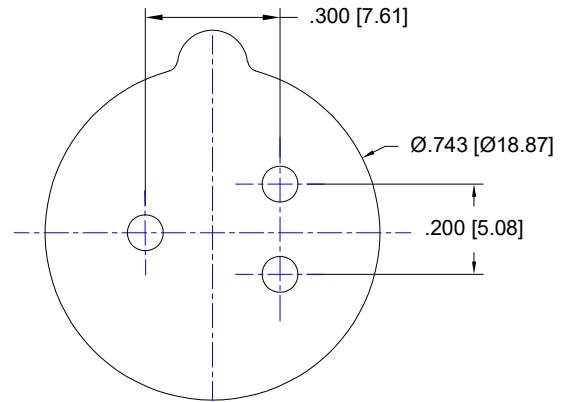


Fig. 11

Thru-hole: R300-SP03-02T-436P55-R27-L14
Surface Mount: R300-SP03-02T-440P55-R27-L14

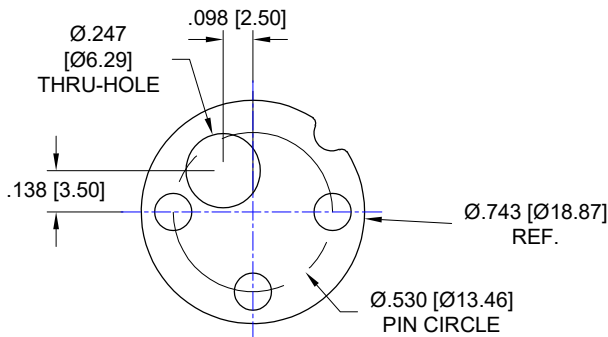


Fig. 12 **3 Pins**

Thru-hole: R530-SP03-05N-436P55-R27-L14
Surface Mount: R530-SP03-05N-440P55-R27-L14

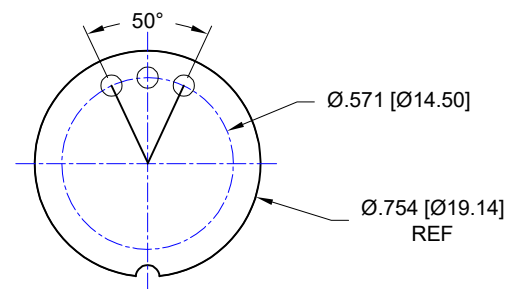


Fig. 13

Thru-Hole: R570-SP03-01N-01P28-R27-L14
Surface Mount: R570-SP03-01N-93P28-R27-L14

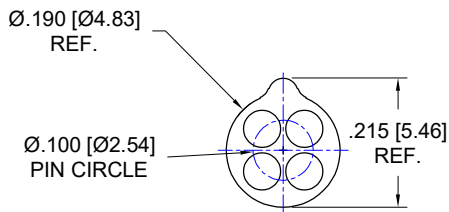


Fig. 14

Thru-Hole: R100-0404-02T-75S-R27-L14
Surface Mount: R100-0404-02T-384S-R27-L14

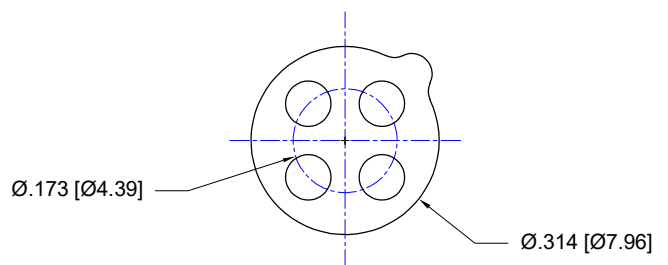


Fig. 15

Thru-Hole: R173-0804-03T-01P28-R27-L14
Surface Mount: R173-0804-03T-93P28-R27-L14

See last page for other mounting types including low profile options.
Heat sink socket available to reduce heat and noise. Contact Andon for details.

WINSON ELECTRONICS *Continued*

Top View Shown

Units: in [mm]

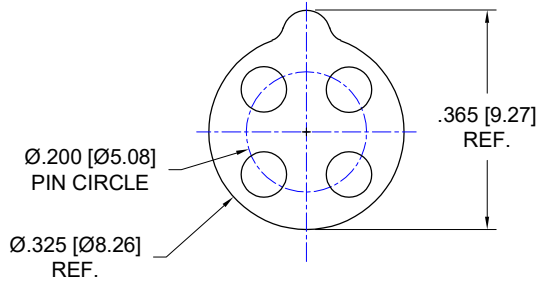


Fig. 16

Thru-Hole: R200-0404-01T-01S-R27-L14
Surface Mount: R200-0404-01T-93S-R27-L14

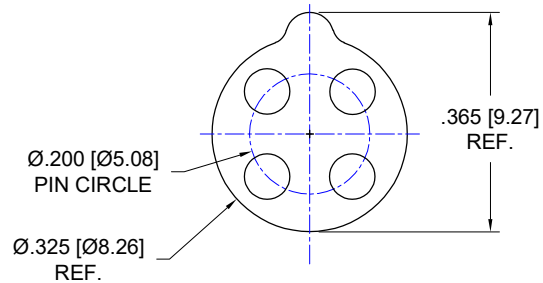


Fig. 17

Thru-Hole: R200-0404-01T-01P28-R27-L14
Surface Mount: R200-0404-01T-93P28-R27-L14

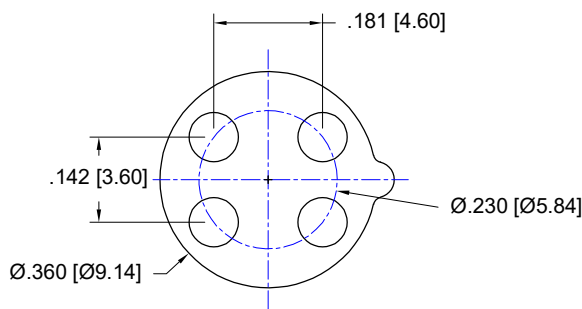


Fig. 18

Thru-Hole: R230-0404-02T-01P28-R27-L14
Surface Mount: R230-0404-02T-93P28-R27-L14

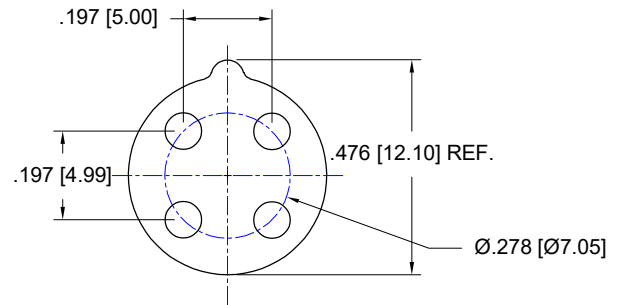


Fig. 19

Thru-Hole: R278-0804-01T-295V-R27-L14
Surface Mount: R278-0804-01T-439V-R27-L14

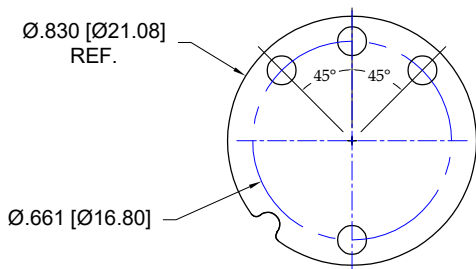


Fig. 20

Thru-Hole: R660-0804-01N-433E-R27-L14
Surface Mount: R660-0804-01N-285E-R27-L14

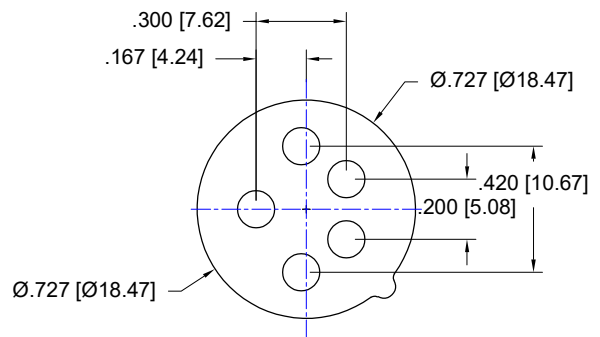


Fig. 21

Thru-Hole: R420-SP05-04T-436P55-R27-L14
Surface Mount: R420-SP05-04T-440P55-R27-L14

See last page for other mounting types including low profile options.
Heat sink socket available to reduce heat and noise. Contact Andon for details.

WINSON ELECTRONICS *Continued*

Top View Shown
Units: in [mm]

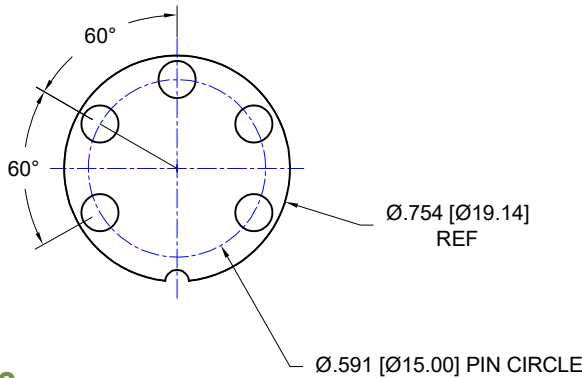


Fig. 22
Thru-Hole: R591-0605-02N-436P55-R27-L14
Surface Mount: R591-0605-02N-440P55-R27-L14

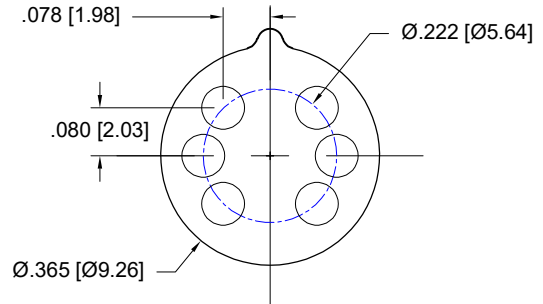


Fig. 23
Thru-hole: R222-0806-01T-01S-R27-L14
Surface Mount: R222-0806-01T-93S-R27-L14

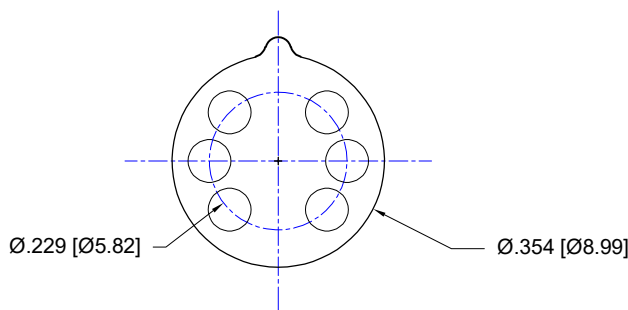


Fig. 24
Thru-hole: R230-0806-06T-01S-R27-L14
Surface Mount: R230-0806-06T-93S-R27-L14

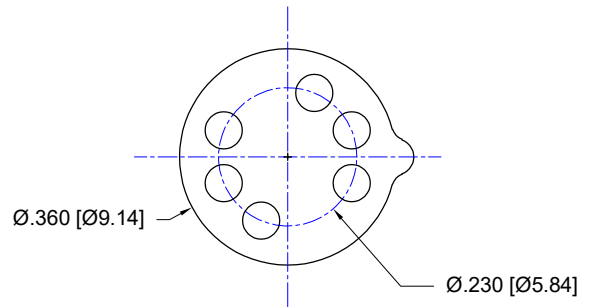


Fig. 25
Thru-Hole: R230-0806-05T-211S-R27-L14
Surface Mount: R230-0806-05T-384S-R27-L14

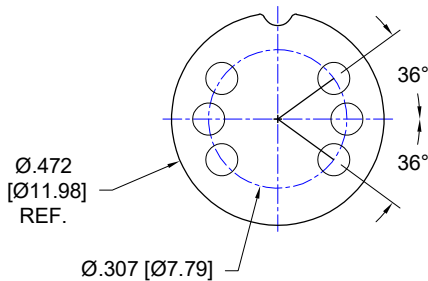


Fig. 26
Thru-hole: R307-1006-01N-01S-R27-L14
Surface Mount: R307-1006-01N-93S-R27-L14

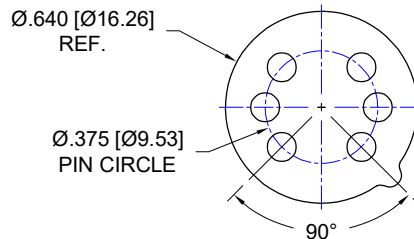


Fig. 27
Thru-Hole: R375-0806-01T-433E-R27-L14
Surface Mount: R375-0806-01T-285E-R27-L14

See last page for other mounting types including low profile options.
Heat sink socket available to reduce heat and noise. Contact Andon for details.

WINSON ELECTRONICS *Continued*
Top View Shown
Units: in [mm]

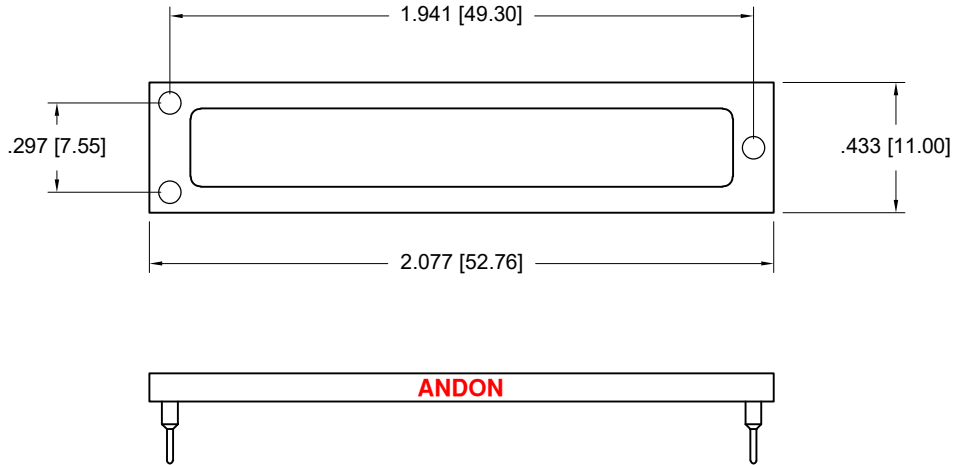


Fig. 28

Thru-Hole: CSP1940-03-01-01P28-R27-L14
Surface Mount: CSP1940-03-01-93P28-R27-L14

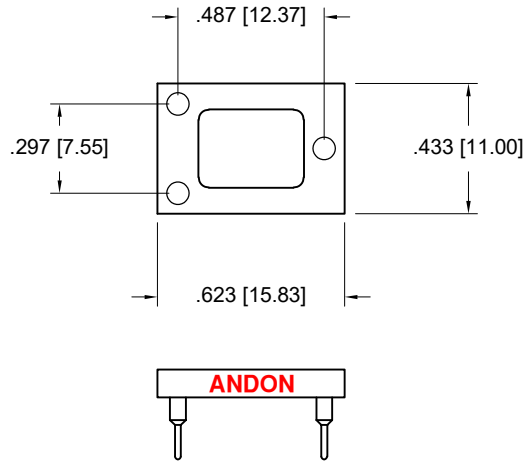


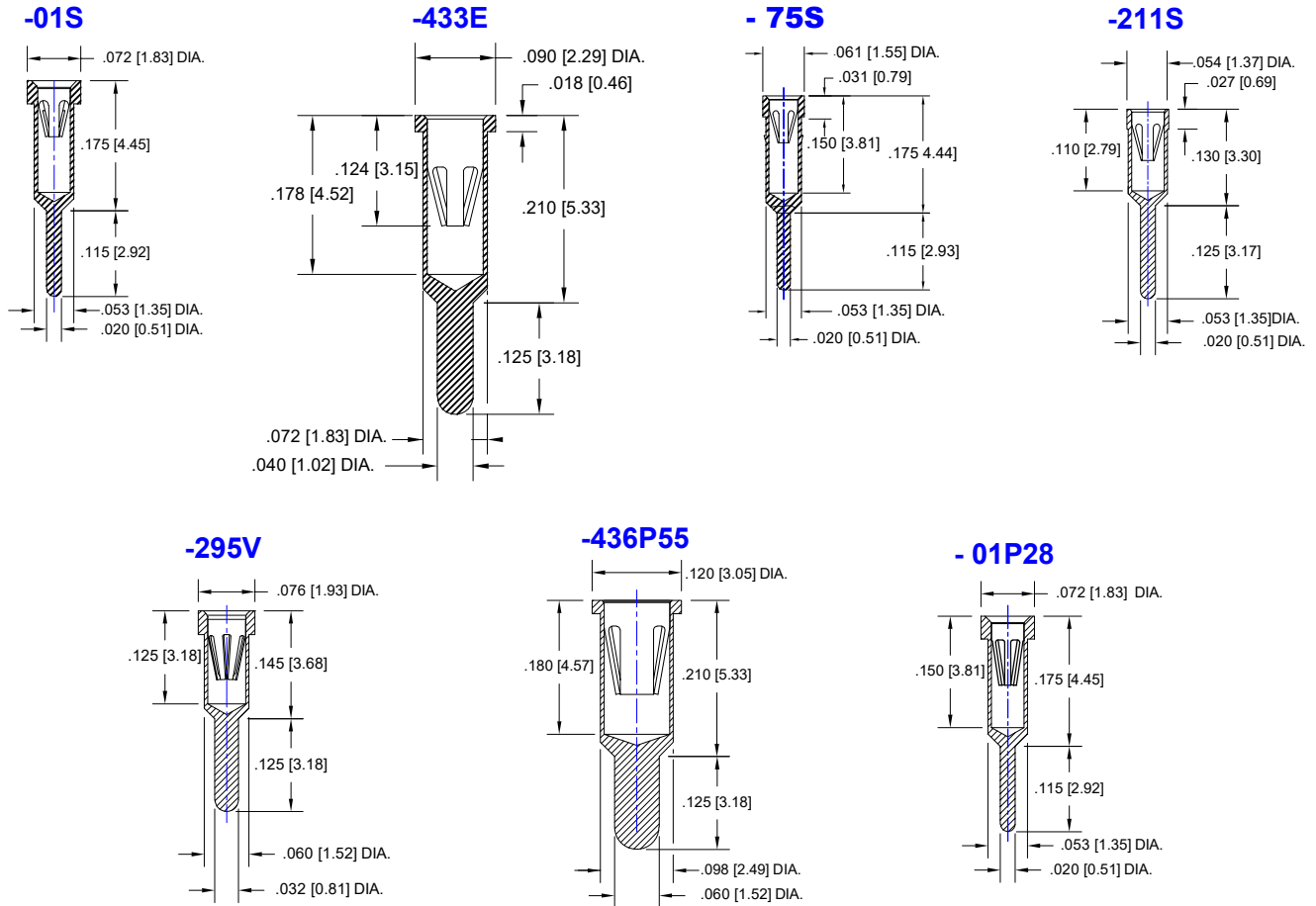
Fig. 29

Thru-Hole: CSP487-03-01-01P28-R27-L14
Surface Mount: CSP487-03-01-93P28-R27-L14

See last page for other mounting types including low profile options.
Heat sink socket available to reduce heat and noise. Contact Andon for details.

Units: in [mm]

THRU HOLE OPTION



Technical Information

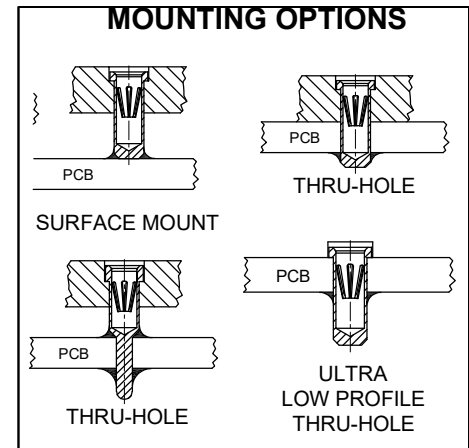
Material:

Insulator: Hi-Temp UL 94V-O
Terminal: Brass, per ASTM-B16
Contact: BeCu, Per ASTM-B194

Plating: RoHS COMPLIANT

R27 TERMINAL: GOLD / CONTACT: GOLD
OTHER PLATINGS AVAILABLE

Terminal Acceptance and Forces							
Thru Hole Terminals				Surface Mount Terminals			
Thru Hole Terminal	Accepts Pin Diameter	Insertion Force	Withdrawal Force	Surface Mount Terminal	Accepts Pin Diameter	Insertion Force	Withdrawal Force
-01S	Ø.018 [Ø.46]	9.0 oz Avg.	2.0 oz Min	-93S	Ø.018 [Ø.46]	9.0 oz Avg.	2.0 oz Min
-433E	Ø.040 [Ø1.02]	36.0 oz Avg.	3.9 oz Min	-285E	Ø.040 [Ø1.02]	36.0 oz Avg.	3.9 oz Min
-211S	Ø.018 [Ø.38]	9.0 oz Avg.	2.0 oz Min	-384S	Ø.018 [Ø.38]	9.0 oz Avg.	2.0 oz Min
-295V	Ø.030 [Ø.76]	13.2 oz Max	3.5 oz Min	-439V	Ø.030 [Ø.76]	13.2 oz Max	3.5 oz Min
-436P55	Ø.060 [Ø1.52]	15.5 oz Max	2.1 oz Min	-440P55	Ø.060 [Ø1.52]	15.5 oz Max	2.1 oz Min
-01P28	Ø.028 [Ø.71]	.70 oz Max	0.35 oz Min	-93P28	Ø.028 [Ø.71]	.70 oz Max	0.35 oz Min
-75S	Ø.018 [Ø.38]	9.0 oz Avg.	2.0 oz Min				



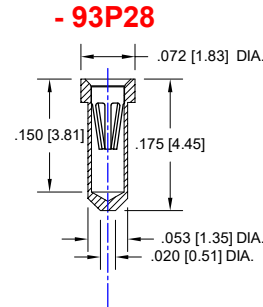
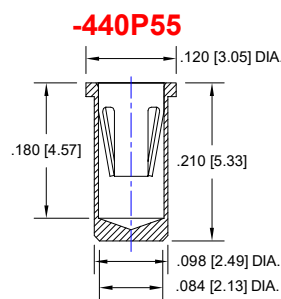
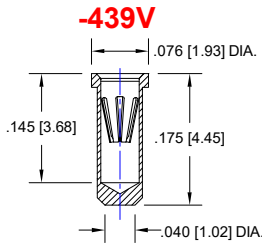
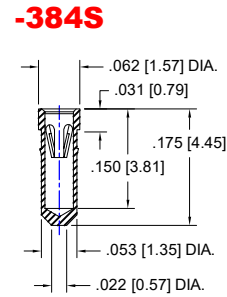
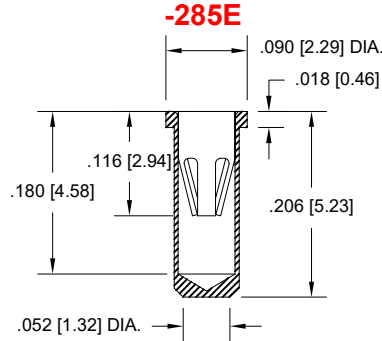
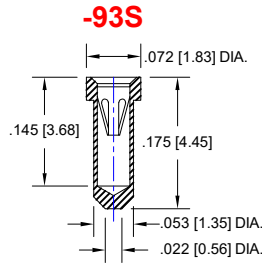
©Copyright 2026 Andon Electronics Corporation. All Rights Reserved. This material is protected under US and other copyrights and may not be copied, sold, or redistributed in any form without written permission of Andon Electronics Corporation. Copyrights and trademarks are property of their respective companies. We reserve the right to change specifications without notice. Andon makes no warranty, expressed or implied, as to the suitability of the sockets for the intended purpose.

RoHS Compliant

*Sockets are not drawn to scale WINSSEN ELECTRONICS 05/15/2026

Units: in [mm]

SURFACE MOUNT OPTION



Technical Information

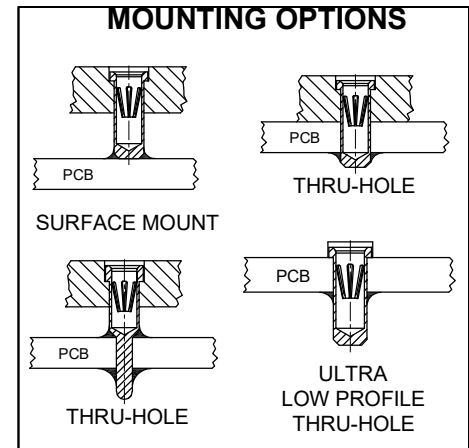
Material:

Insulator: Hi-Temp UL 94V-O
Terminal: Brass, per ASTM-B16
Contact: BeCu, Per ASTM-B194

Plating: RoHS COMPLIANT

R27 TERMINAL: GOLD / CONTACT: GOLD
OTHER PLATINGS AVAILABLE

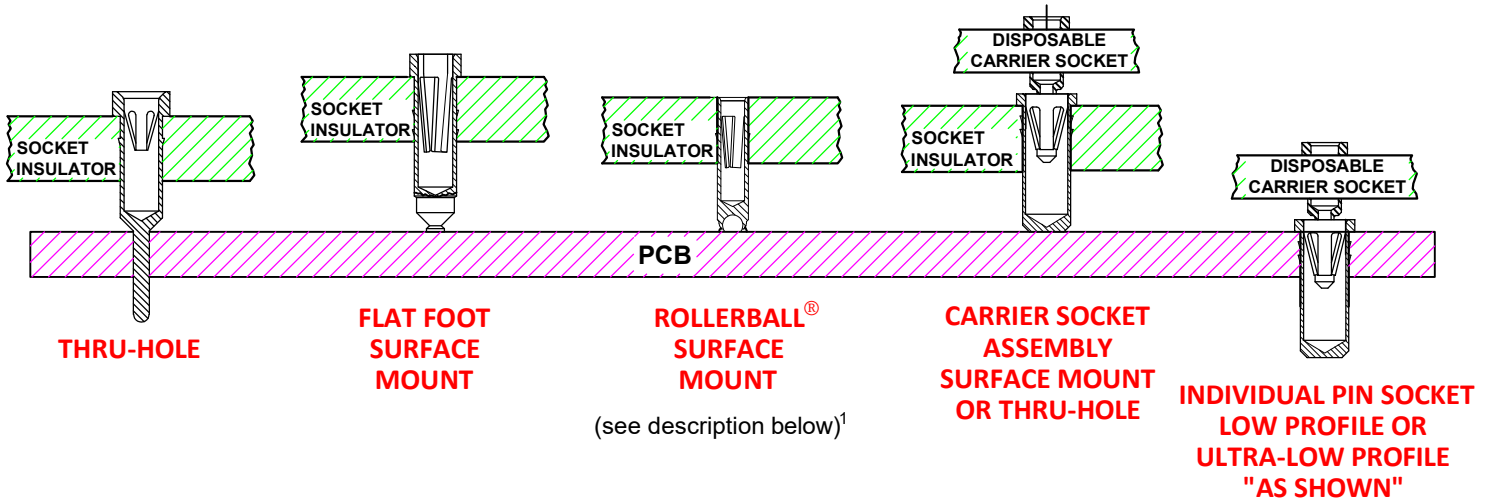
Terminal Acceptance and Forces							
Thru Hole Terminals				Surface Mount Terminals			
Thru Hole Terminal	Accepts Pin Diameter	Insertion Force	Withdrawal Force	Surface Mount Terminal	Accepts Pin Diameter	Insertion Force	Withdrawal Force
-01S	Ø.018 [Ø.46]	9.0 oz Avg.	2.0 oz Min	-93S	Ø.018 [Ø.46]	9.0 oz Avg.	2.0 oz Min
-433E	Ø.040 [Ø1.02]	36.0 oz Avg.	3.9 oz Min	-285E	Ø.040 [Ø1.02]	36.0 oz Avg.	3.9 oz Min
-211S	Ø.018 [Ø.38]	9.0 oz Avg.	2.0 oz Min	-384S	Ø.018 [Ø.38]	9.0 oz Avg.	2.0 oz Min
-295V	Ø.030 [Ø.76]	13.2 oz Max	3.5 oz Min	-439V	Ø.030 [Ø.76]	13.2 oz Max	3.5 oz Min
-436P55	Ø.060 [Ø1.52]	15.5 oz Max	2.1 oz Min	-440P55	Ø.060 [Ø1.52]	15.5 oz Max	2.1 oz Min
-01P28	Ø.028 [Ø.71]	.70 oz Max	0.35 oz Min	-93P28	Ø.028 [Ø.71]	.70 oz Max	0.35 oz Min
-75S	Ø.018 [Ø.38]	9.0 oz Avg.	2.0 oz Min				



©Copyright 2026 Andon Electronics Corporation. All Rights Reserved. This material is protected under US and other copyrights and may not be copied, sold, or redistributed in any form without written permission of Andon Electronics Corporation. Copyrights and trademarks are property of their respective companies. We reserve the right to change specifications without notice. Andon makes no warranty, expressed or implied, as to the suitability of the sockets for the intended purpose.

RoHS Compliant

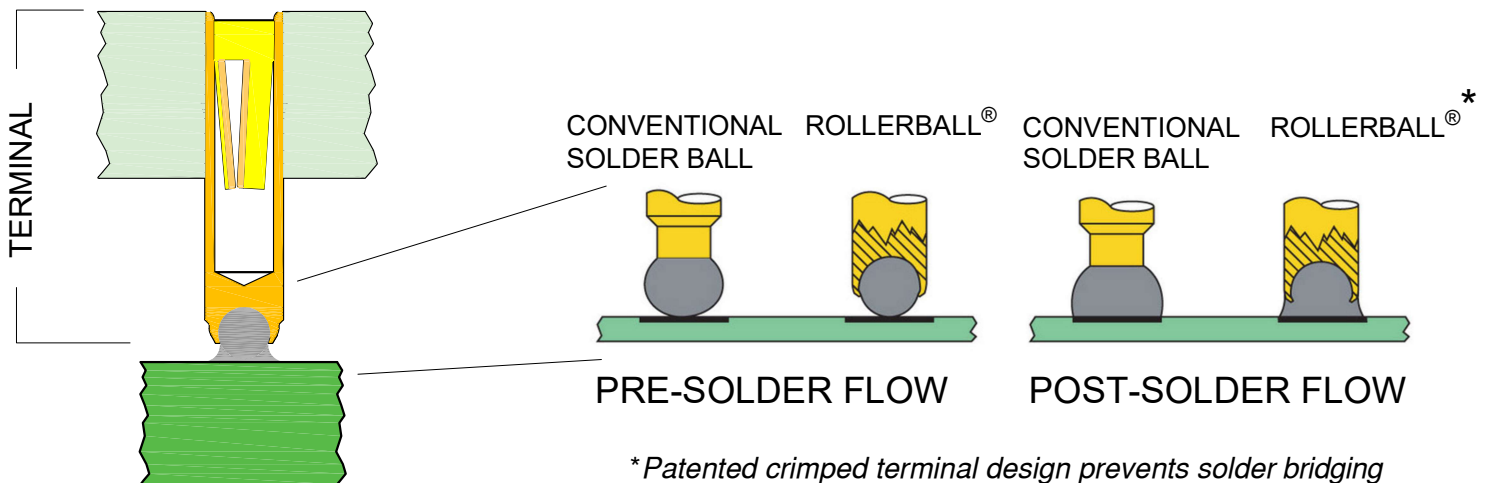
*Sockets are not drawn to scale WINSSEN ELECTRONICS 05/15/2026



¹Andon's patented Rollerball[®] socket terminal option provides more accurate soldering, a stronger connection, and improved electrical connectivity - especially under shock and vibration - than other solder ball terminal designs. Better yet, it can enable you to avoid expensive rework and scrap - especially with larger PCBs where coplanarity is an inherent challenge.

The bottom of these terminals has a radiused hole, to prevent gas entrapment. The terminal is crimped over the solder ball beyond its hemisphere, encapsulating it - leaving just enough of the solder ball exposed to provide sufficient solder without the solder bridging common in conventional solder ball terminal designs.

With this unique design, the critical distance between the terminal and the PC board pad is typically reduced from .036"-.040" to .018"-.022". As such, the solder becomes part of the "anchor" cross-section - providing additional mechanical strength to the connection, as well as improved electrical connectivity. Because it also provides controlled dispersion of solder, this encapsulated solder ball reduces the risk of solder bridging inherent in conventional solder ball terminal designs.



For fast, accurate placement of SIP sockets and ultra-low profile terminals

Phase 1:
Receive Carrier Assemblies designed to your pin layout.



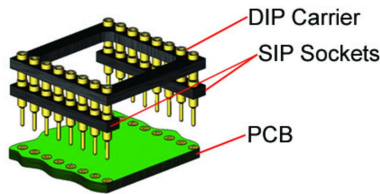
Phase 2:
Place carrier assemblies onto PCB; run through your soldering process.



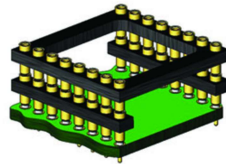
Phase 3:
Remove carrier and plug in your device; discard carrier or send back to our factory for reloading.

DIP

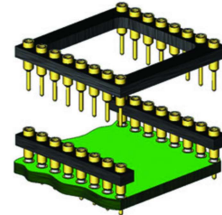
Before Soldering



During Soldering

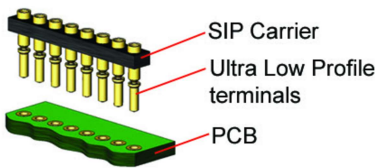


After Soldering

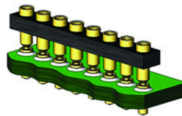


ULTRA-LOW PROFILE SIP

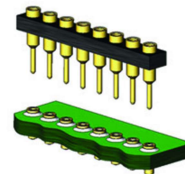
Before Soldering



During Soldering

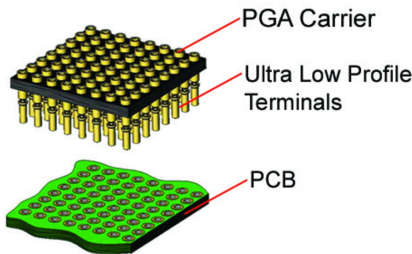


After Soldering

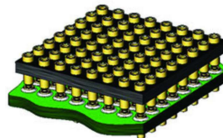


ULTRA-LOW PROFILE PGA

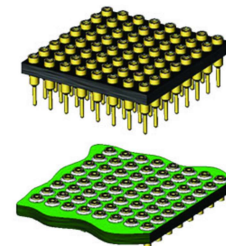
Before Soldering



During Soldering

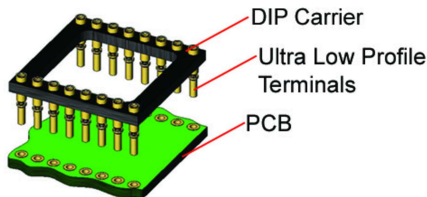


After Soldering

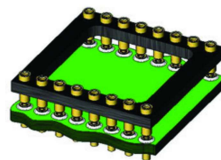


ULTRA LOW PROFILE DIP

Before Soldering



During Soldering



After Soldering

