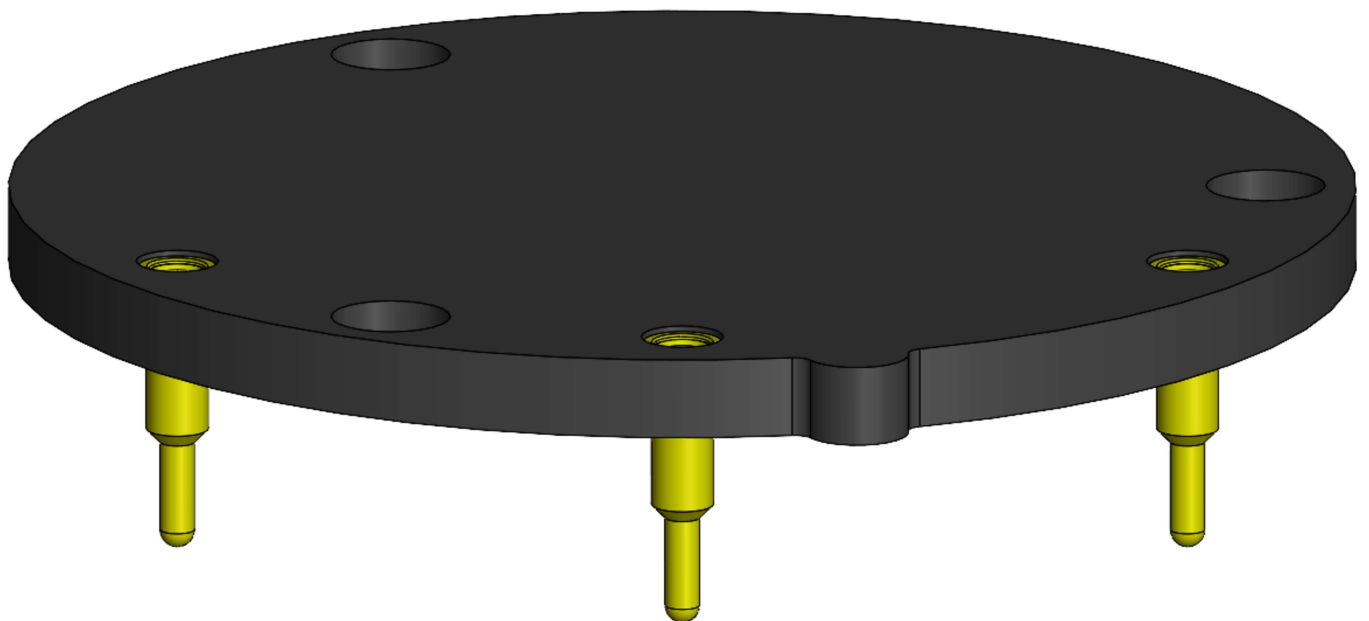




***High-Reliability Gas Sensor Sockets
for Honeywell International Inc.***

Honeywell



Featuring Andon's Unique SenstacTM Contact

Honeywell International Inc.						
Honeywell Model Number	Andon Part Number Replace "XXX" with Terminal Type	Terminal Type		Pin Ø [in]	Figure Number	Page Number
		Thru-Hole	Surface Mount			
0139-021-30009	R200-0403-03T-XXX-R27-L14	01S	93S	.018	1	6
0139-021-30079	R670-0804-02N-XXX-R27-L14	433E	285E	.040	7	7
0139-031-30009	R200-0403-03T-XXX-R27-L14	01S	93S	.018	1	6
0139-031-30049	R530-0403-02N-XXX-R27-L14	436P55	440P55	.060	3	6
0139-031-30069	R200-0404-01N-XXX-R27-L14	01S	93S	.018	4	6
0139-031-30079	R670-0804-02N-XXX-R27-L14	433E	285E	.040	7	7
0141-024-30009	R200-0403-03T-XXX-R27-L14	01S	93S	.018	1	6
0141-024-30049	R530-0403-02N-XXX-R27-L14	436P55	440P55	.060	3	6
0141-024-30079	R670-0804-02N-XXX-R27-L14	433E	285E	.040	7	7
0141-124-30009	R200-0403-03T-XXX-R27-L14	01S	93S	.018	1	6
0141-124-30049	R530-0403-02N-XXX-R27-L14	436P55	440P55	.060	3	6
0141-124-30079	R670-0804-02N-XXX-R27-L14	433E	285E	.040	7	7
0145-034-30009	R200-0403-03T-XXX-R27-L14	01S	93S	.018	1	6
0145-034-30049	R530-0403-02N-XXX-R27-L14	436P55	440P55	.060	3	6
0145-034-30069	R200-0404-01N-XXX-R27-L14	01S	93S	.018	4	6
0145-034-30079	R670-0804-02N-XXX-R27-L14	433E	285E	.040	7	7
0145-134-30009	R200-0403-03T-XXX-R27-L14	01S	93S	.018	1	6
0145-134-30049	R530-0403-02N-XXX-R27-L14	436P55	440P55	.060	3	6
0145-134-30079	R670-0804-02N-XXX-R27-L14	433E	285E	.040	7	7
0248-024-30009	R200-0403-03T-XXX-R27-L14	01S	93S	.018	1	6
0248-024-30049	R530-0403-02N-XXX-R27-L14	436P55	440P55	.060	3	6
0248-024-30069	R200-0404-01N-XXX-R27-L14	01S	93S	.018	4	6
0248-024-30079	R670-0804-02N-XXX-R27-L14	433E	285E	.040	7	7
0248-034-30009	R200-0403-03T-XXX-R27-L14	01S	93S	.018	1	6
0248-034-30049	R530-0403-02N-XXX-R27-L14	436P55	440P55	.060	3	6
0248-034-30069	R200-0404-01N-XXX-R27-L14	01S	93S	.018	4	6
0248-034-30079	R670-0804-02N-XXX-R27-L14	433E	285E	.040	7	7
0250-134-30009	R200-0403-03T-XXX-R27-L14	01S	93S	.018	1	6
0250-134-30049	R530-0403-02N-XXX-R27-L14	436P55	440P55	.060	3	6
0250-134-30069	R200-0404-01N-XXX-R27-L14	01S	93S	.018	4	6
0250-134-30079	R670-0804-02N-XXX-R27-L14	433E	285E	.040	7	7
035-337-30069	R200-0404-01N-XXX-R27-L14	01S	93S	.018	4	6
0361-034-30009	R200-0403-03T-XXX-R27-L14	01S	93S	.018	1	6
0361-034-30049	R530-0403-02N-XXX-R27-L14	436P55	440P55	.060	3	6
0361-034-30079	R670-0804-02N-XXX-R27-L14	433E	285E	.040	7	7
0364-034-30009	R200-0403-03T-XXX-R27-L14	01S	93S	.018	1	6
0364-034-30049	R530-0403-02N-XXX-R27-L14	436P55	440P55	.060	3	6
0364-034-30079	R670-0804-02N-XXX-R27-L14	433E	285E	.040	7	7
0436-032-30009	R200-0403-03T-XXX-R27-L14	01S	93S	.018	1	6
0436-032-30049	R530-0403-02N-XXX-R27-L14	436P55	440P55	.060	3	6
0436-032-30069	R200-0404-01N-XXX-R27-L14	01S	93S	.018	4	6
0436-032-30079	R670-0804-02N-XXX-R27-L14	433E	285E	.040	7	7
0441-032-30009	R200-0403-03T-XXX-R27-L14	01S	93S	.018	1	6
0441-032-30049	R530-0403-02N-XXX-R27-L14	436P55	440P55	.060	3	6
0441-032-30069	R200-0404-01N-XXX-R27-L14	01S	93S	.018	4	6
0441-032-30079	R670-0804-02N-XXX-R27-L14	433E	285E	.040	7	7
0635-237-30009	R200-0404-01N-XXX-R27-L14	01S	93S	.018	4	6

See last page for other mounting types including low profile options.
Heat sink socket available to reduce heat and noise. Contact Andon for details.

Honeywell International Inc.						
Honeywell Model Number	Andon Part Number Replace "XXX" with Terminal Type	Terminal Type		Pin Ø [in]	Figure Number	Page Number
		Thru-Hole	Surface Mount			
0635-237-30049	R530-0403-02N-XXX-R27-L14	436P55	440P55	.060	3	6
0635-237-30069	R200-0404-01N-XXX-R27-L14	01S	93S	.018	4	6
0635-237-30079	R670-0804-02N-XXX-R27-L14	433E	285E	.040	7	7
0635-337-30009	R200-0404-01N-XXX-R27-L14	01S	93S	.018	4	6
0635-337-30049	R530-0403-02N-XXX-R27-L14	436P55	440P55	.060	3	6
0635-337-30069	R200-0404-01N-XXX-R27-L14	01S	93S	.018	4	6
0635-337-30079	R670-0804-02N-XXX-R27-L14	433E	285E	.040	7	7
0731-021-30009	R200-0403-03T-XXX-R27-L14	01S	93S	.018	1	6
0731-021-30049	R530-0403-02N-XXX-R27-L14	436P55	440P55	.060	3	6
0731-021-30069	R200-0404-01N-XXX-R27-L14	01S	93S	.018	4	6
0731-021-30079	R670-0804-02N-XXX-R27-L14	433E	285E	.040	7	7
0731-031-30009	R200-0403-03T-XXX-R27-L14	01S	93S	.018	1	6
0731-031-30049	R530-0403-02N-XXX-R27-L14	436P55	440P55	.060	3	6
0731-031-30079	R670-0804-02N-XXX-R27-L14	433E	285E	.040	7	7
0731-237-30009	R200-0404-01N-XXX-R27-L14	01S	93S	.018	4	6
0731-237-30049	R530-0403-02N-XXX-R27-L14	436P55	440P55	.060	3	6
0731-237-30069	R200-0404-01N-XXX-R27-L14	01S	93S	.018	4	6
0731-237-30079	R670-0804-02N-XXX-R27-L14	433E	285E	.040	7	7
0731-337-30009	R200-0404-01N-XXX-R27-L14	01S	93S	.018	4	6
0731-337-30049	R530-0403-02N-XXX-R27-L14	436P55	440P55	.060	3	6
0731-337-30069	R200-0404-01N-XXX-R27-L14	01S	93S	.018	4	6
0731-337-30079	R670-0804-02N-XXX-R27-L14	433E	285E	.040	7	7
0831-337-30009	R200-0404-01N-XXX-R27-L14	01S	93S	.018	4	6
0831-337-30049	R530-0403-02N-XXX-R27-L14	436P55	440P55	.060	3	6
0831-337-30069	R200-0404-01N-XXX-R27-L14	01S	93S	.018	4	6
0831-337-30079	R670-0804-02N-XXX-R27-L14	433E	285E	.040	7	7
0941-031-30009	R200-0403-03T-XXX-R27-L14	01S	93S	.018	1	6
0941-031-30049	R530-0403-02N-XXX-R27-L14	436P55	440P55	.060	3	6
0941-031-30079	R670-0804-02N-XXX-R27-L14	433E	285E	.040	7	7
0941-337-30009	R200-0404-01N-XXX-R27-L14	01S	93S	.018	4	6
0941-337-30049	R530-0403-02N-XXX-R27-L14	436P55	440P55	.060	3	6
0941-337-30069	R200-0404-01N-XXX-R27-L14	01S	93S	.018	4	6
0941-337-30079	R670-0804-02N-XXX-R27-L14	433E	285E	.040	7	7
1139-034-30009	R200-0403-03T-XXX-R27-L14	01S	93S	.018	1	6
1139-034-30049	R530-0403-02N-XXX-R27-L14	436P55	440P55	.060	3	6
1139-034-30069	R200-0404-01N-XXX-R27-L14	01S	93S	.018	4	6
1139-034-30079	R670-0804-02N-XXX-R27-L14	433E	285E	.040	7	7
1336-932-11069	R200-0404-01N-XXX-R27-L14	01S	93S	.018	4	6
1336-932-14049	R530-0403-02N-XXX-R27-L14	436P55	440P55	.060	3	6
1336-932-17079	R670-0804-02N-XXX-R27-L14	433E	285E	.040	7	7
1336-932-30009	R200-0403-03T-XXX-R27-L14	01S	93S	.018	1	6
1336-932-30049	R530-0403-02N-XXX-R27-L14	436P55	440P55	.060	3	6
1336-932-30069	R200-0404-01N-XXX-R27-L14	01S	93S	.018	4	6
1336-932-30079	R670-0804-02N-XXX-R27-L14	433E	285E	.040	7	7
1431-031-30009	R200-0403-03T-XXX-R27-L14	01S	93S	.018	1	6
1431-031-30049	R530-0403-02N-XXX-R27-L14	436P55	440P55	.060	3	6
1431-031-30069	R200-0404-01N-XXX-R27-L14	01S	93S	.018	4	6

See last page for other mounting types including low profile options.
Heat sink socket available to reduce heat and noise. Contact Andon for details.

Honeywell International Inc.						
Honeywell Model Number	Andon Part Number Replace "XXX" with Terminal Type	Terminal Type		Pin Ø [in]	Figure Number	Page Number
		Thru-Hole	Surface Mount			
1441-134-30079	R670-0804-02N-XXX-R27-L14	433E	285E	.040	7	7
1531-031-30009	R200-0403-03T-XXX-R27-L14	01S	93S	.018	1	6
1531-031-30049	R530-0403-02N-XXX-R27-L14	436P55	440P55	.060	3	6
1531-031-30079	R670-0804-02N-XXX-R27-L14	433E	285E	.040	7	7
1531-231-30009	R200-0403-03T-XXX-R27-L14	01S	93S	.018	1	6
1531-231-30049	R530-0403-02N-XXX-R27-L14	436P55	440P55	.060	3	6
1531-231-30069	R200-0404-01N-XXX-R27-L14	01S	93S	.018	4	6
1531-231-30079	R670-0804-02N-XXX-R27-L14	433E	285E	.040	7	7
1639-221-30009	R200-0403-03T-XXX-R27-L14	01S	93S	.018	1	6
1639-221-30049	R530-0403-02N-XXX-R27-L14	436P55	440P55	.060	3	6
1639-221-30069	R200-0404-01N-XXX-R27-L14	01S	93S	.018	4	6
1639-221-30079	R670-0804-02N-XXX-R27-L14	433E	285E	.040	7	7
1639-231-30009	R200-0403-03T-XXX-R27-L14	01S	93S	.018	1	6
1639-231-30049	R530-0403-02N-XXX-R27-L14	436P55	440P55	.060	3	6
1639-231-30069	R200-0404-01N-XXX-R27-L14	01S	93S	.018	4	6
1639-231-30079	R670-0804-02N-XXX-R27-L14	433E	285E	.040	7	7
1731-031-11069	R200-0404-01N-XXX-R27-L14	01S	93S	.018	4	6
1731-031-14049	R530-0403-02N-XXX-R27-L14	436P55	440P55	.060	3	6
1731-031-17079	R670-0804-02N-XXX-R27-L14	433E	285E	.040	7	7
1731-031-30009	R200-0403-03T-XXX-R27-L14	01S	93S	.018	1	6
1731-031-30049	R530-0403-02N-XXX-R27-L14	436P55	440P55	.060	3	6
1731-031-30079	R670-0804-02N-XXX-R27-L14	433E	285E	.040	7	7
1845-031-30009	R200-0403-03T-XXX-R27-L14	01S	93S	.018	1	6
1845-031-30049	R530-0403-02N-XXX-R27-L14	436P55	440P55	.060	3	6
1845-031-30069	R200-0404-01N-XXX-R27-L14	01S	93S	.018	4	6
1845-031-30079	R670-0804-02N-XXX-R27-L14	433E	285E	.040	7	7
1845-932-30009	R200-0403-03T-XXX-R27-L14	01S	93S	.018	1	6
1845-932-30049	R530-0403-02N-XXX-R27-L14	436P55	440P55	.060	3	6
1845-932-30069	R200-0404-01N-XXX-R27-L14	01S	93S	.018	4	6
1845-932-30079	R670-0804-02N-XXX-R27-L14	433E	285E	.040	7	7
1850-932-30009	R200-0403-03T-XXX-R27-L14	01S	93S	.018	1	6
1850-932-30049	R200-0403-03T-XXX-R27-L14	01S	93S	.018	1	6
1850-932-30069	R200-0404-01N-XXX-R27-L14	01S	93S	.018	4	6
1850-932-30079	R200-0403-03T-XXX-R27-L14	01S	93S	.018	1	6
1854-031-03069	R200-0404-01N-XXX-R27-L14	01S	93S	.018	4	6
1854-031-04049	R530-0403-02N-XXX-R27-L14	436P55	440P55	.060	3	6
1854-031-07079	R670-0804-02N-XXX-R27-L14	433E	285E	.040	7	7
1854-031-30009	R200-0404-01N-XXX-R27-L14	01S	93S	.018	4	6
1854-031-30049	R530-0403-02N-XXX-R27-L14	436P55	440P55	.060	3	6
1854-031-30069	R200-0404-01N-XXX-R27-L14	01S	93S	.018	4	6
1854-031-30079	R670-0804-02N-XXX-R27-L14	433E	285E	.040	7	7
1854-932-30009	R200-0403-03T-XXX-R27-L14	01S	93S	.018	1	6
1854-932-30049	R530-0403-02N-XXX-R27-L14	436P55	440P55	.060	3	6
1854-932-30069	R200-0404-01N-XXX-R27-L14	01S	93S	.018	4	6
1854-932-30079	R670-0804-02N-XXX-R27-L14	433E	285E	.040	7	7
1858-932-30009	R200-0403-03T-XXX-R27-L14	01S	93S	.018	1	6
1858-932-30049	R530-0403-02N-XXX-R27-L14	436P55	440P55	.060	3	6

See last page for other mounting types including low profile options.
Heat sink socket available to reduce heat and noise. Contact Andon for details.

Honeywell International Inc.						
Honeywell Model Number	Andon Part Number Replace "XXX" with Terminal Type	Terminal Type		Pin Ø [in]	Figure Number	Page Number
		Thru-Hole	Surface Mount			
1858-932-30079	R670-0804-02N-XXX-R27-L14	433E	285E	.040	7	7
1945-034-30009	R200-0403-03T-XXX-R27-L14	01S	93S	.018	1	6
1945-034-30049	R530-0403-02N-XXX-R27-L14	436P55	440P55	.060	3	6
1945-034-30069	R200-0404-01N-XXX-R27-L14	01S	93S	.018	4	6
1945-034-30079	R670-0804-02N-XXX-R27-L14	433E	285E	.040	7	7
200NE	R140-0402-01T-XXX-R27-L14	01S	93S	.018	12	8
2131-021-30009	R200-0403-03T-XXX-R27-L14	01S	93S	.018	1	6
2131-021-30049	R530-0403-02N-XXX-R27-L14	436P55	440P55	.060	3	6
2131-021-30079	R670-0804-02N-XXX-R27-L14	433E	285E	.040	7	7
2131-021-3069	R200-0404-01N-XXX-R27-L14	01S	93S	.018	4	6
2241-032-30009	R200-0403-03T-XXX-R27-L14	01S	93S	.018	1	6
2241-032-30049	R530-0403-02N-XXX-R27-L14	436P55	440P55	.060	3	6
2241-032-30069	R200-0404-01N-XXX-R27-L14	01S	93S	.018	4	6
2241-032-30079	R670-0804-02N-XXX-R27-L14	433E	285E	.040	7	7
2345-034-11069	R200-0404-01N-XXX-R27-L14	01S	93S	.018	4	6
2345-034-14049	R530-0403-02N-XXX-R27-L14	436P55	440P55	.060	3	6
2345-034-17079	R670-0804-02N-XXX-R27-L14	433E	285E	.040	7	7
2441-021-03069	R200-0404-01N-XXX-R27-L14	01S	93S	.018	4	6
2441-021-04049	R530-0403-02N-XXX-R27-L14	436P55	440P55	.060	3	6
2441-021-07079	R670-0804-02N-XXX-R27-L14	433E	285E	.040	7	7
2731-031-30009	R200-0403-03T-XXX-R27-L14	01S	93S	.018	1	6
2731-031-30049	R530-0403-02N-XXX-R27-L14	436P55	440P55	.060	3	6
2731-031-30079	R670-0804-02N-XXX-R27-L14	433E	285E	.040	7	7
2731-331-30009	R200-0403-03T-XXX-R27-L14	01S	93S	.018	1	6
2731-331-30049	R530-0403-02N-XXX-R27-L14	436P55	440P55	.060	3	6
2731-331-30069	R200-0404-01N-XXX-R27-L14	01S	93S	.018	4	6
2731-331-30079	R670-0804-02N-XXX-R27-L14	433E	285E	.040	7	7
2CF3 SERIES	R530-0403-02N-XXX-R27-L14	436P55	440P55	.060	3	6
300PZ	R140-0402-01T-XXX-R27-L14	01S	93S	.018	12	8
3035-337-30009	R200-0404-01N-XXX-R27-L14	01S	93S	.018	4	6
3035-337-30049	R530-0403-02N-XXX-R27-L14	436P55	440P55	.060	3	6
3035-337-30069	R200-0404-01N-XXX-R27-L14	01S	93S	.018	4	6
3035-337-30079	R670-0804-02N-XXX-R27-L14	433E	285E	.040	7	7
3NDH	R1350-SP03-02T-XXX-R27-L14	433E	285E	.040	10	7
3NDH(G)	R1350-SP03-02T-XXX-R27-L14	433E	285E	.040	10	7
3SH	R1350-SP03-02T-XXX-R27-L14	433E	285E	.040	10	7
3SH(G)	R1350-SP03-02T-XXX-R27-L14	433E	285E	.040	10	7
4AN Acrylonitrile CiTiceL®	R530-SP03-05N-XXX-R27-L14	436P55	440P55	.060	16	8
4CF+ SERIES	R530-0403-02N-XXX-R27-L14	436P55	440P55	.060	3	6
4CFC SERIES	R530-0403-02N-XXX-R27-L14	436P55	440P55	.060	3	6
4CL CiTiceL®	R530-0403-02N-XXX-R27-L14	436P55	440P55	.060	3	6
4CM SERIES	R530-0403-02N-XXX-R27-L14	436P55	440P55	.060	3	6
4COSH CiTiceL®	R530-SP04-01T-XXX-R27-L14	436P55	440P55	.060	15	8
4ETO CiTiceL®	R530-0403-02N-XXX-R27-L14	436P55	440P55	.060	3	6
4F SERIES	R530-0403-02N-XXX-R27-L14	436P55	440P55	.060	3	6
4H CiTiceL®	R530-SP03-05N-XXX-R27-L14	436P55	440P55	.060	16	8
4-H2S 1000 SERIES	R530-0403-02N-XXX-R27-L14	436P55	440P55	.060	3	6

See last page for other mounting types including low profile options.
Heat sink socket available to reduce heat and noise. Contact Andon for details.

Honeywell International Inc.						
Honeywell Model Number	Andon Part Number Replace "XXX" with Terminal Type	Terminal Type		Pin Ø [in]	Figure Number	Page Number
		Thru-Hole	Surface Mount			
4HLM CiTiceL®	R530-SP03-05N-XXX-R27-L14	436P55	440P55	.060	16	8
4HN CiTiceL®	R530-SP03-05N-XXX-R27-L14	436P55	440P55	.060	16	8
4HS	R530-0403-02N-XXX-R27-L14	436P55	440P55	.060	3	6
4HS SERIES	R530-0403-02N-XXX-R27-L14	436P55	440P55	.060	3	6
4HS/LM	R530-0403-02N-XXX-R27-L14	436P55	440P55	.060	3	6
4HS/LM CiTiceL®	R530-0403-02N-XXX-R27-L14	436P55	440P55	.060	3	6
4HS+ SERIES	R530-0403-02N-XXX-R27-L14	436P55	440P55	.060	3	6
4HYT CiTiceL®	R530-0403-02N-XXX-R27-L14	436P55	440P55	.060	3	6
4LXH CiTiceL®	R530-0402-02N-XXX-R27-L14	436P55	440P55	.060	14	8
4MF SERIES	R530-0403-02N-XXX-R27-L14	436P55	440P55	.060	3	6
4ND CiTiceL®	R530-0403-02N-XXX-R27-L14	436P55	440P55	.060	3	6
4NH3LL 100 SERIES	R530-0403-02N-XXX-R27-L14	436P55	440P55	.060	3	6
4NT CiTiceL®	R530-0403-02N-XXX-R27-L14	436P55	440P55	.060	3	6
4OxLL CiTiceL®	R530-SP03-04N-XXX-R27-L14	436P55	440P55	.060	2	6
4OXV CiTiceL®	R530-SP02-03N-XXX-R27-L14	436P55	440P55	.060	5	7
4P50 CiTipeL®	R300-SP03-02T-XXX-R27-L14	436P55	440P55	.060	6	7
4P50C CiTipeL®	R300-SP03-02T-XXX-R27-L14	436P55	440P55	.060	6	7
4P50M CiTipeL®	R300-SP03-02T-XXX-R27-L14	436P55	440P55	.060	6	7
4P50M CiTipeL®	R300-SP03-02T-XXX-R27-L14	436P55	440P55	.060	6	7
4P75 CiTipeL®	R300-SP03-02T-XXX-R27-L14	436P55	440P55	.060	6	7
4P75C CiTipeL®	R300-SP03-02T-XXX-R27-L14	436P55	440P55	.060	6	7
4P75C T4 CiTipeL®	R300-SP03-02T-XXX-R27-L14	436P55	440P55	.060	6	7
4P75M CiTipeL®	R300-SP03-02T-XXX-R27-L14	436P55	440P55	.060	6	7
4P90 CiTipeL®	R300-SP03-02T-XXX-R27-L14	436P55	440P55	.060	6	7
4P90C CiTipeL®	R300-SP03-02T-XXX-R27-L14	436P55	440P55	.060	6	7
4P90M CiTipeL®	R300-SP03-02T-XXX-R27-L14	436P55	440P55	.060	6	7
4PH-Fast CiTiceL®	R530-0403-02N-XXX-R27-L14	436P55	440P55	.060	3	6
4S Rev. 2 CiTiceL®	R530-0403-02N-XXX-R27-L14	436P55	440P55	.060	3	6
50xLL CiTiceL®	R670-0804-02N-XXX-R27-L14	436P55	440P55	.060	8	7
5FO	R670-0802-01T-XXX-R27-L14	436P55	440P55	.060	11	8
5MF	R670-0804-02N-XXX-R27-L14	436P55	440P55	.060	8	7
5ND	R670-0804-02N-XXX-R27-L14	436P55	440P55	.060	8	7
5NF	R670-0804-02N-XXX-R27-L14	436P55	440P55	.060	8	7
5SF	R670-0804-02N-XXX-R27-L14	436P55	440P55	.060	8	7
5SFF	R670-0804-02N-XXX-R27-L14	436P55	440P55	.060	8	7
75-0155-134-30009	R200-0404-01N-XXX-R27-L14	01S	93S	.018	4	6
75-0155-134-30049	R530-0403-02N-XXX-R27-L14	436P55	440P55	.060	3	6
75-0155-134-30069	R200-0404-01N-XXX-R27-L14	01S	93S	.018	4	6
75-0155-134-30079	R670-0804-02N-XXX-R27-L14	433E	285E	.040	7	7
7NT	R670-0804-02N-XXX-R27-L14	433E	285E	.040	7	7
A2EF	R1350-SP03-02T-XXX-R27-L14	433E	285E	.040	10	7
A5F	R670-0804-02N-XXX-R27-L14	436P55	440P55	.060	8	7
A5F+	R670-0804-02N-XXX-R27-L14	436P55	440P55	.060	8	7
AQ7CO	R670-0804-02N-XXX-R27-L14	433E	285E	.040	7	7
AQ7ND	R670-0804-02N-XXX-R27-L14	433E	285E	.040	7	7
AQ7OZ	R670-0804-02N-XXX-R27-L14	433E	285E	.040	7	7
AQ7SOZ	R670-0804-02N-XXX-R27-L14	433E	285E	.040	7	7

Honeywell International Inc.						
Honeywell Model Number	Andon Part Number Replace "XXX" with Terminal Type	Terminal Type		Pin Ø [in]	Figure Number	Page Number
		Thru-Hole	Surface Mount			
CAT16	R140-0402-01T-XXX-R27-L14	01S	93S	.018	12	8
CAT25	R075-0402-01T-XXX-R27-L14	274K	281K	.018	13	8
CMP200-D	R075-0402-01T-XXX-R27-L14	274K	281K	.018	13	8
CRIR E1	C10-1212-05-01-XXX-R27-L14	01S	93S	.018	15	9
CRIR M1	C10-1212-05-01-XXX-R27-L14	01S	93S	.018	15	9
ECO-SURE (2E)	R530-0402-02N-XXX-R27-L14	436P55	440P55	.060	14	8
ECO-SURE X	R530-0402-02N-XXX-R27-L14	436P55	440P55	.060	14	8
H2S(H) SERIES	R530-0403-02N-XXX-R27-L14	436P55	440P55	.060	3	6
H2S(L) SERIES	R530-0403-02N-XXX-R27-L14	436P55	440P55	.060	3	6
P90E	R140-0402-01T-XXX-R27-L14	01S	93S	.018	12	8
Sensoric NH3 3E 500 SE	R200-0403-03T-XXX-R27-L14	01S	93S	.018	1	6
TCO	R670-SP04-02T-XXX-R27-L14	433E	285E	.040	9	7

See last page for other mounting types including low profile options.
Heat sink socket available to reduce heat and noise. Contact Andon for details.

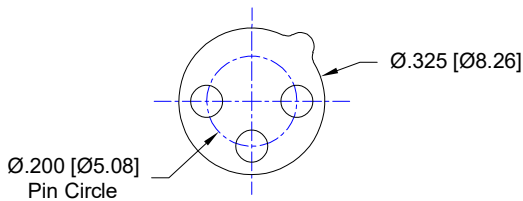


Fig. 1
Thru-Hole: R200-0403-03T-01S-R27-L14
Surface Mount: R200-0403-03T-93S-R27-L14

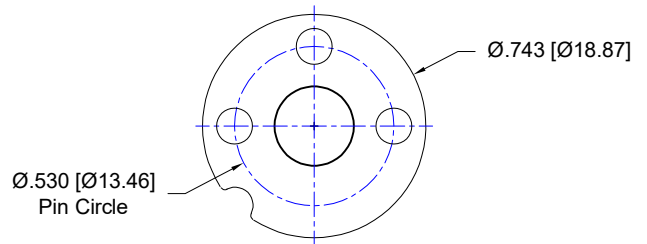


Fig. 2 **3 Pins**
Thru-hole: R530-SP03-04N-436P55-R27-L14
Surface Mount: R530-SP03-04N-440P55-R27-L14

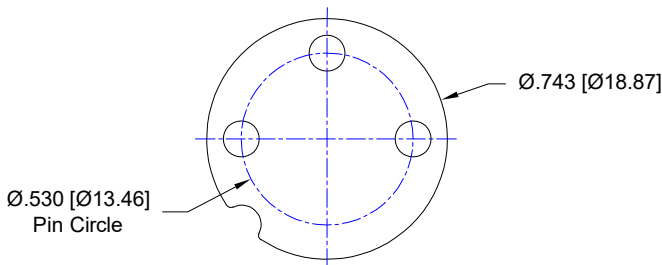


Fig. 3
Thru-Hole: R530-0403-02N-436P55-R27-L14
Surface Mount: R530-0403-02N-440P55-R27-L14

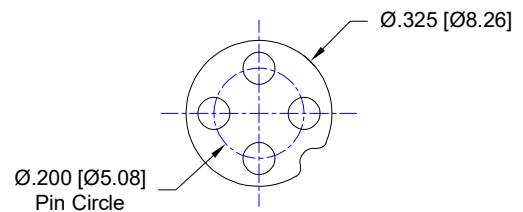


Fig. 4
Thru-Hole: R200-0404-01N-01S-R27-L14
Surface Mount: R200-0404-01N-93S-R27-L14

Honeywell International Inc. Continued
Top View Shown
Units: in [mm]

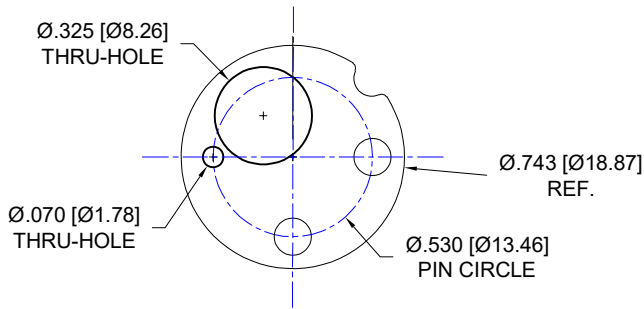


Fig. 5 **2 Pins**

Thru-hole: R530-SP02-03N-436P55-R27-L14
Surface Mount: R530-SP02-03N-440P55-R27-L14

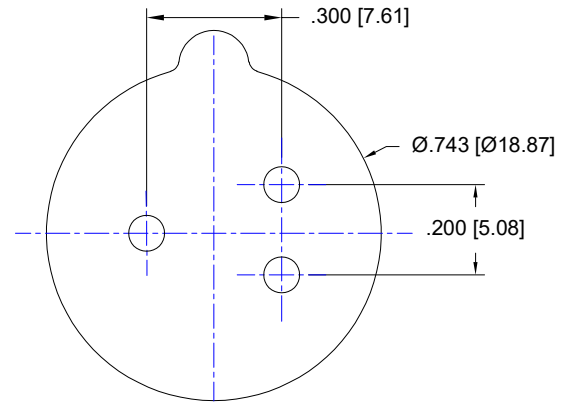


Fig. 6

Thru-hole: R300-SP03-02T-436P55-R27-L14
Surface Mount: R300-SP03-02T-440P55-R27-L14

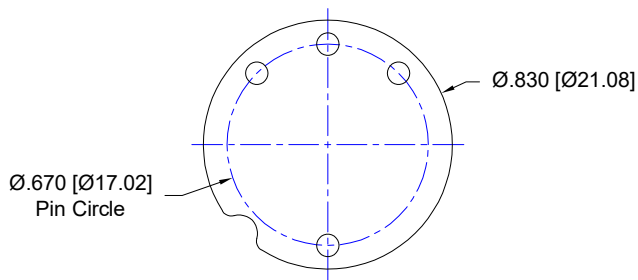


Fig. 7

Thru-Hole: R670-0804-02N-433E-R27-L14
Surface Mount: R670-0804-02N-285E-R27-L14

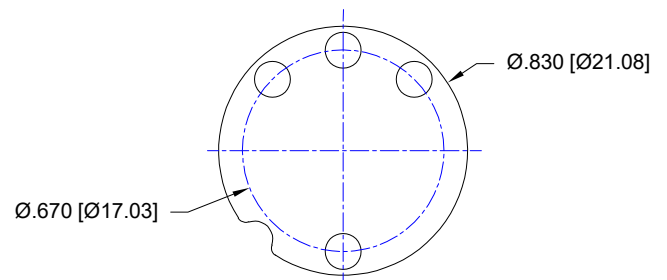


Fig. 8

Thru-Hole: R670-0804-02N-436P55-R27-L14
Surface Mount: R670-0804-02N-440P55-R27-L14

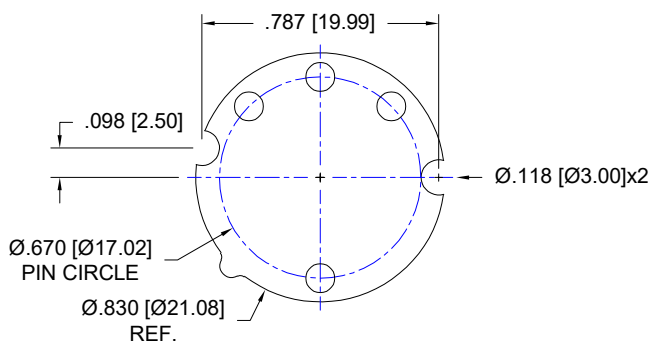


Fig. 9

Thru-hole: R670-SP04-02T-433E-R27-L14
Surface Mount: R670-SP04-02T-285E-R27-L14

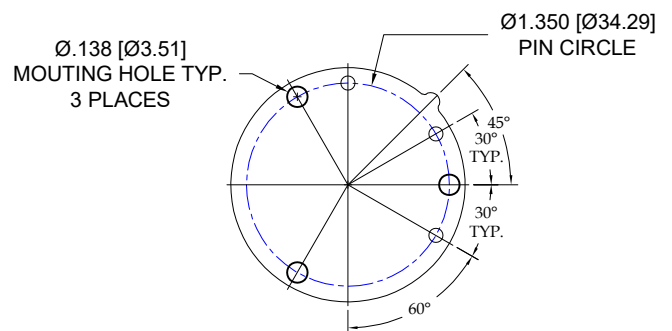


Fig. 10 **3 Pins**

Thru-hole: R1350-SP03-02T-433E-R27-L14
Surface Mount: R1350-SP03-02T-285E-R27-L14

Honeywell International Inc. *Continued*

Top View Shown
Units: in [mm]

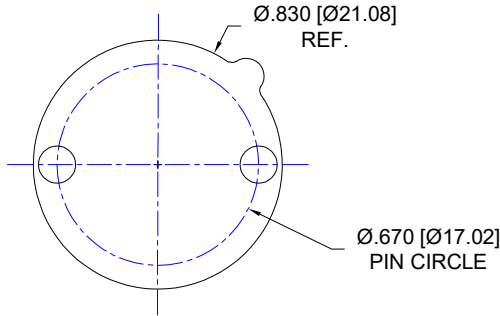


Fig. 11

Thru-hole: R670-0802-01T-436P55-R27-L14
Surface Mount: R670-0802-01T-440P55-R27-L14

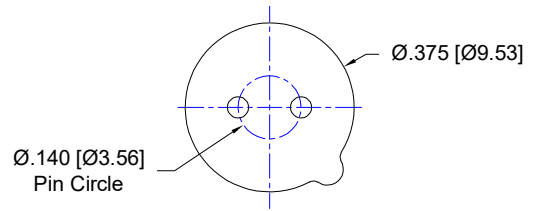


Fig. 12

Thru-hole: R140-0402-01T-01S-R27-L14
Surface Mount: R140-0402-01T-93S-R27-L14

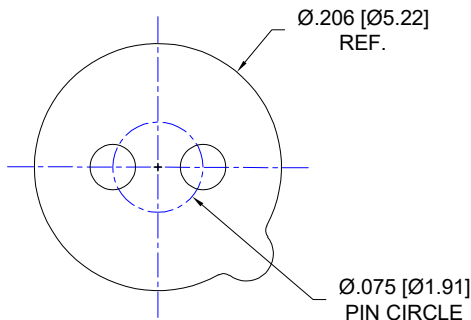


Fig. 13

Thru-hole: R075-0402-01T-274K-R27-L14
Surface Mount: R075-0402-01T-281K-R27-L14

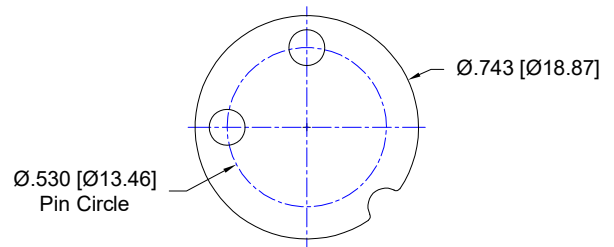


FIG 14

Thru-Hole: R530-0402-02N-436P55-R27-L14
Surface Mount: R530-0402-02N-440P55-R27-L14

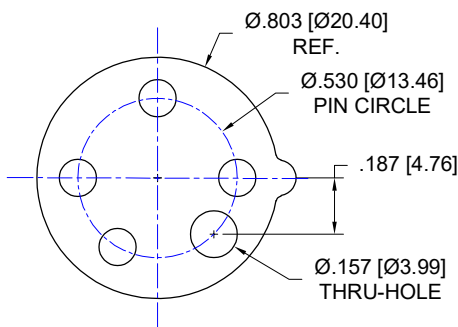


Fig. 15 4 Pins

Thru-hole: R530-SP04-01T-436P55-R27-L14
Surface Mount: R530-SP04-01T-440P55-R27-L14

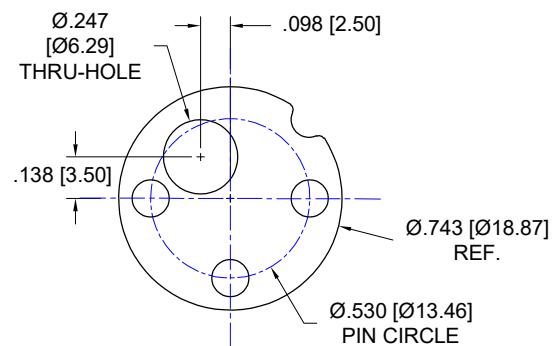


Fig. 16 3 Pins

Thru-hole: R530-SP03-05N-436P55-R27-L14
Surface Mount: R530-SP03-05N-440P55-R27-L14

Honeywell International Inc. *Continued*

Top View Shown
Units: in [mm]

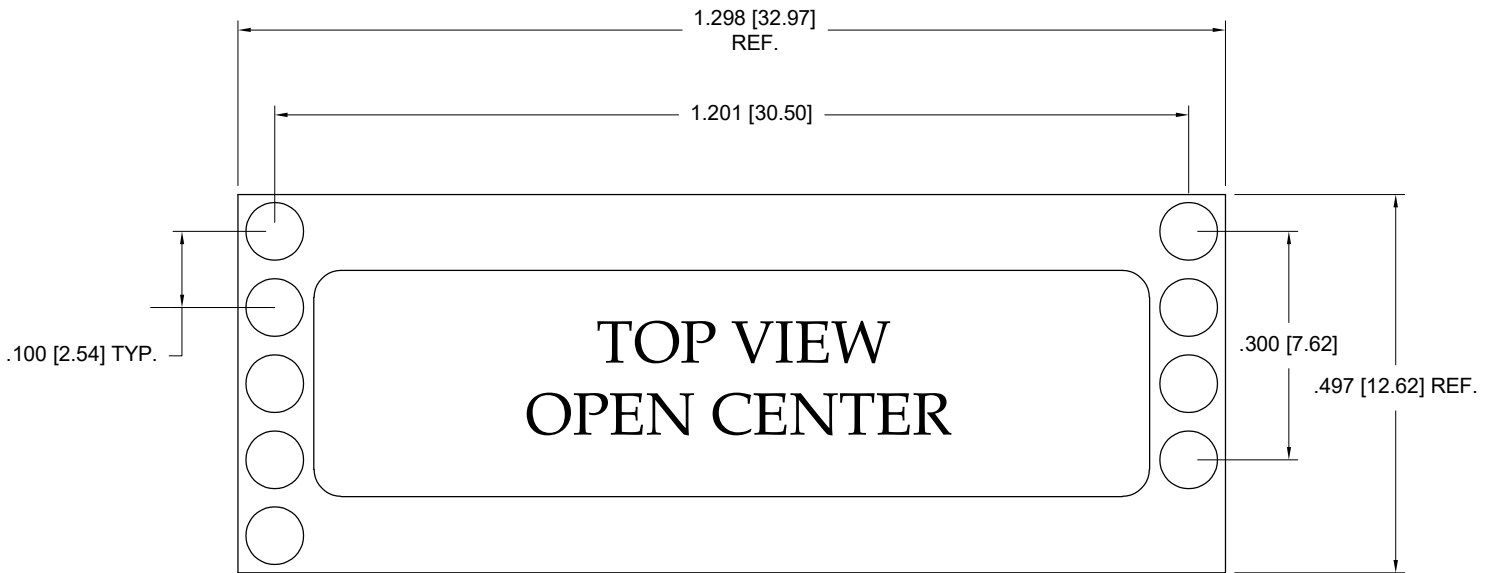


FIG 17

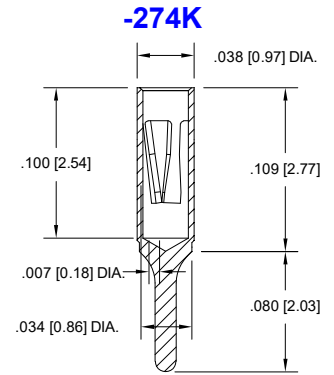
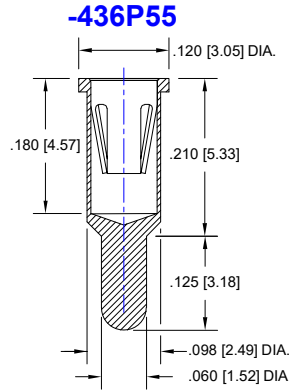
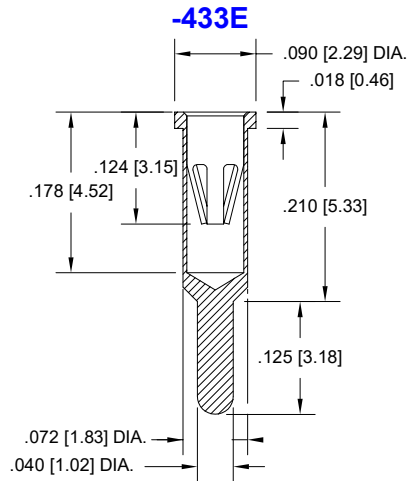
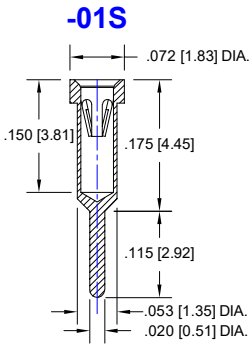
Thru-Hole: C10-1212-05-01-01S-R27-L14

Surface Mount: C10-1212-05-01-93S-R27-L14

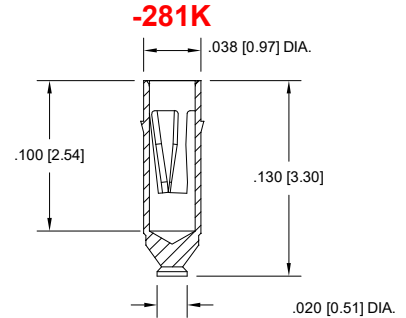
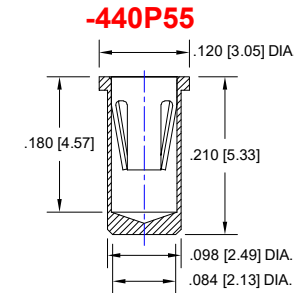
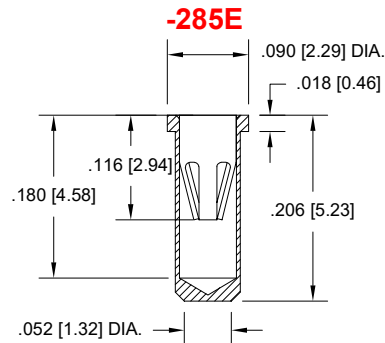
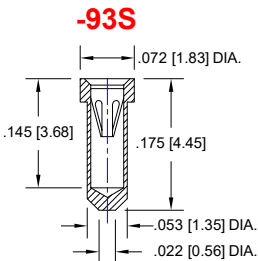
Honeywell International Inc. *Continued*

Top View Shown
Units: in [mm]

THRU HOLE OPTION



SURFACE MOUNT OPTION



Technical Information

Material:

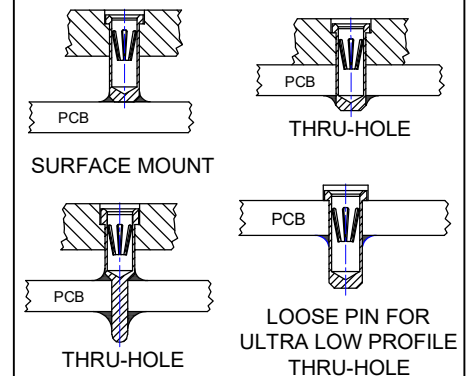
Insulator: Hi-Temp UL 94V-O
Terminal: Brass, per ASTM-B16
Contact: BeCu, Per ASTM-B194

Plating: RoHS COMPLIANT
R27 TERMINAL: GOLD / CONTACT: GOLD
OTHER PLATINGS AVAILABLE

Terminal Acceptance and Forces

Thru Hole Terminals				Surface Mount Terminals			
Thru Hole Terminal	Accepts Pin Diameter	Insertion Force	Withdrawal Force	Surface Mount Terminal	Accepts Pin Diameter	Insertion Force	Withdrawal Force
-01S	Ø.018 [Ø0.46]	9.0 oz AVG	2.0 oz Min	-93S	Ø.018 [Ø0.46]	9.0 oz AVG	2.0 oz Min
-433E	Ø.040 [Ø1.02]	36.0 oz Max	3.9 oz Min	-285E	Ø.040 [Ø1.02]	36.0 oz Max	3.9 oz Min
-436P55	Ø.060 [Ø1.52]	15.5 oz AVG	2.1 oz Min	-440P55	Ø.060 [Ø1.52]	15.5 oz AVG	2.1 oz Min
-274K	Ø.017 [Ø0.46]	1.24 oz MAX	0.50 oz Min	-281K	Ø.017 [Ø0.46]	1.24 oz MAX	0.50 oz Min

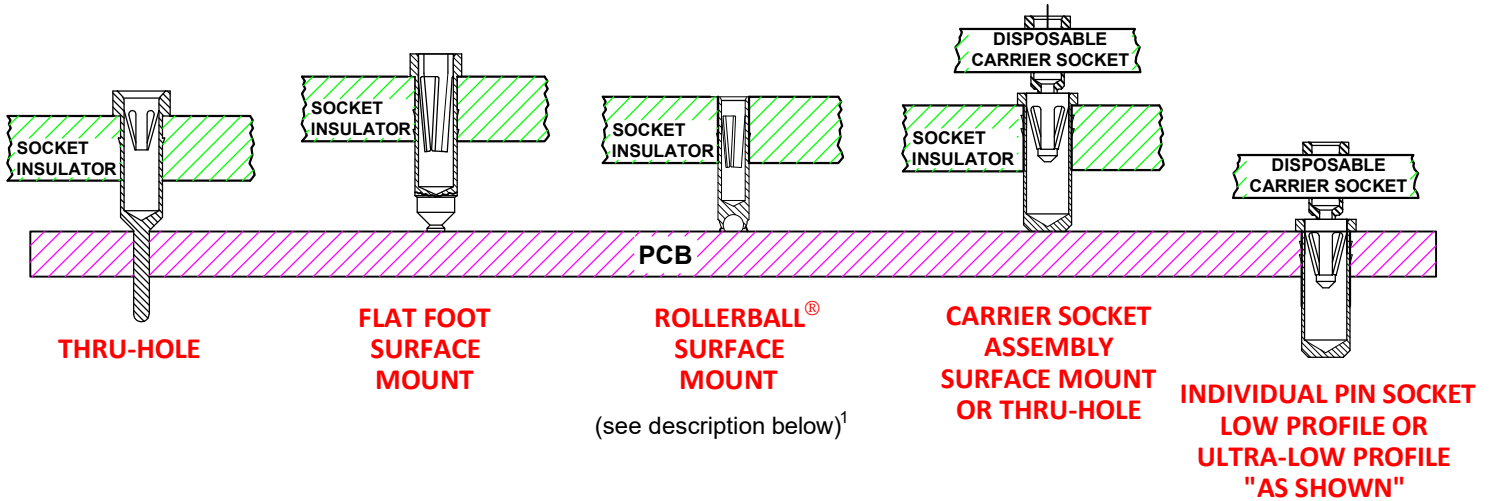
MOUNTING OPTIONS



Andon Proprietary Information
RoHS Compliant

©Copyright 2026 Andon Electronics Corporation. All Rights Reserved. This material is protected under US and other copyrights and may not be copied, sold, or redistributed in any form without written permission of Andon Electronics Corporation. Copyrights and trademarks are property of their respective companies. We reserve the right to change specifications without notice. Andon makes no warranty, expressed or implied, as to the suitability of the sockets for the intended purpose.

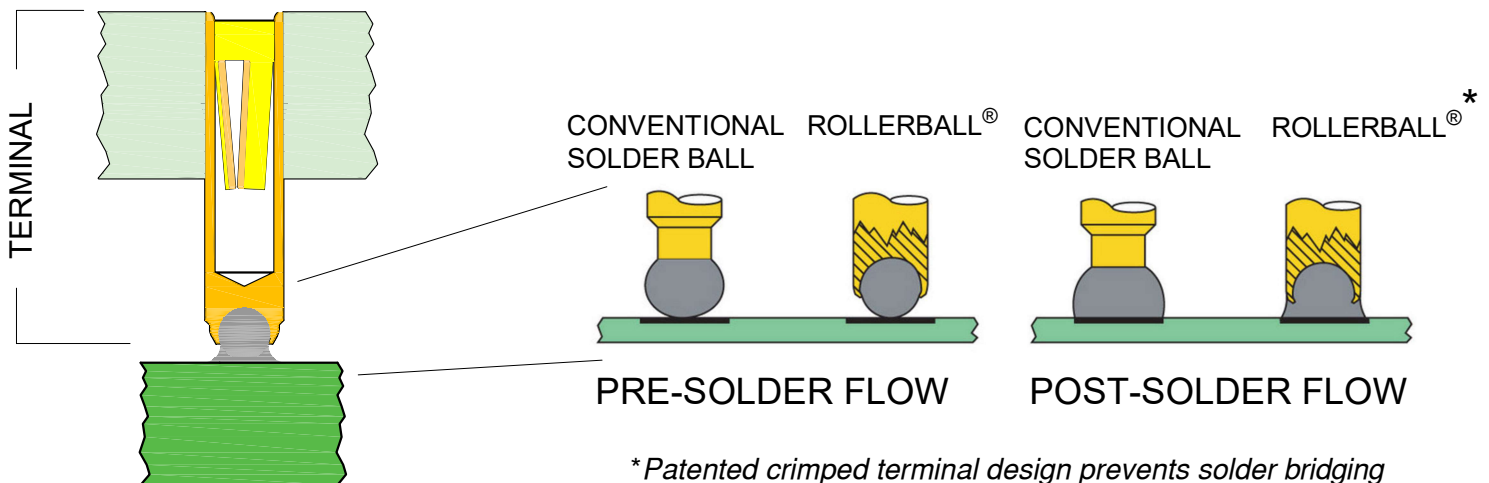
*Sockets are not drawn to scale Honeywell International Inc. 05/13/2026



¹Andon's patented Rollerball® socket terminal option provides more accurate soldering, a stronger connection, and improved electrical connectivity - especially under shock and vibration - than other solder ball terminal designs. Better yet, it can enable you to avoid expensive rework and scrap - especially with larger PCBs where coplanarity is an inherent challenge.

The bottom of these terminals has a radiused hole, to prevent gas entrapment. The terminal is crimped over the solder ball beyond its hemisphere, encapsulating it - leaving just enough of the solder ball exposed to provide sufficient solder without the solder bridging common in conventional solder ball terminal designs.

With this unique design, the critical distance between the terminal and the PC board pad is typically reduced from .036"-.040" to .018"-.022". As such, the solder becomes part of the "anchor" cross-section - providing additional mechanical strength to the connection, as well as improved electrical connectivity. Because it also provides controlled dispersion of solder, this encapsulated solder ball reduces the risk of solder bridging inherent in conventional solder ball terminal designs.



For fast, accurate placement of SIP sockets and ultra-low profile terminals

Phase 1:
Receive Carrier Assemblies designed to your pin layout.



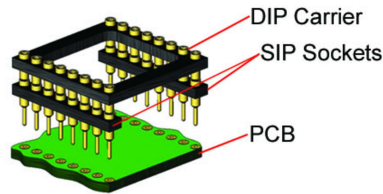
Phase 2:
Place carrier assemblies onto PCB; run through your soldering process.



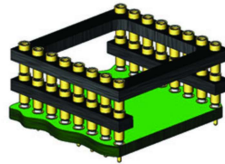
Phase 3:
Remove carrier and plug in your device; discard carrier or send back to our factory for reloading.

DIP

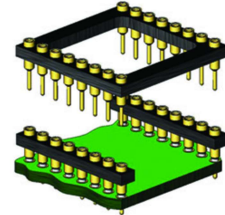
Before Soldering



During Soldering

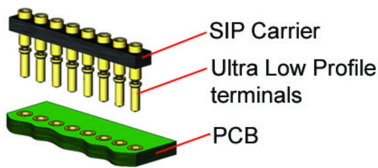


After Soldering

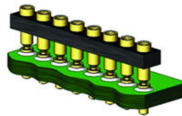


ULTRA-LOW PROFILE SIP

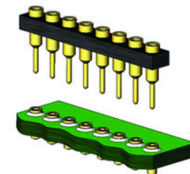
Before Soldering



During Soldering

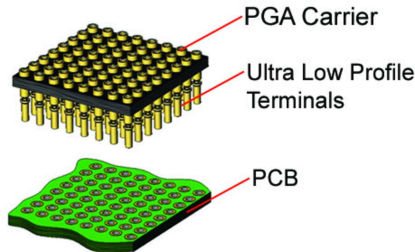


After Soldering

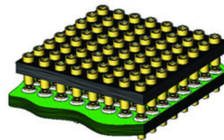


ULTRA-LOW PROFILE PGA

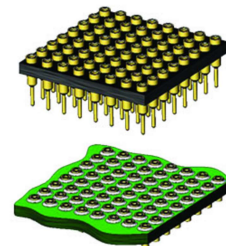
Before Soldering



During Soldering

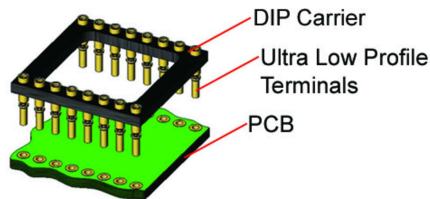


After Soldering

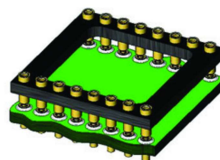


ULTRA LOW PROFILE DIP

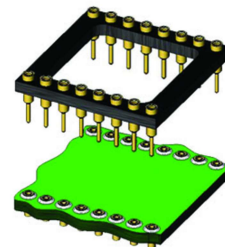
Before Soldering



During Soldering



After Soldering



©Copyright 2026 Andon Electronics Corporation. All Rights Reserved. This material is protected under US and other copyrights and may not be copied, sold, or redistributed in any form without written permission of Andon Electronics Corporation. Copyrights and trademarks are property of their respective companies. We reserve the right to change specifications without notice. Andon makes no warranty, expressed or implied, as to the suitability of the sockets for the intended purpose.

Andon Proprietary Information
RoHS Compliant

*Sockets are not drawn to scale Honeywell International Inc. 05/13/2026