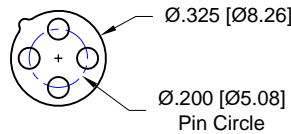


APPLIED SENSOR						
Applied Sensor Model Number	Andon Part Number Replace "XXX" with Terminal Type	Terminal Type		Pin Ø [in]	Figure Number	Page Number
		Thru-Hole	Surface Mount			
AS-MLV	R200-0404-02T-XXX-R15-L14	01S	93S	.018	1	1
AS-MLN	R200-0404-02T-XXX-R15-L14	01S	93S	.018	1	1
AS-MLK	R200-0404-02T-XXX-R15-L14	01S	93S	.018	1	1
AS-MLC	R200-0404-02T-XXX-R15-L14	01S	93S	.018	1	1

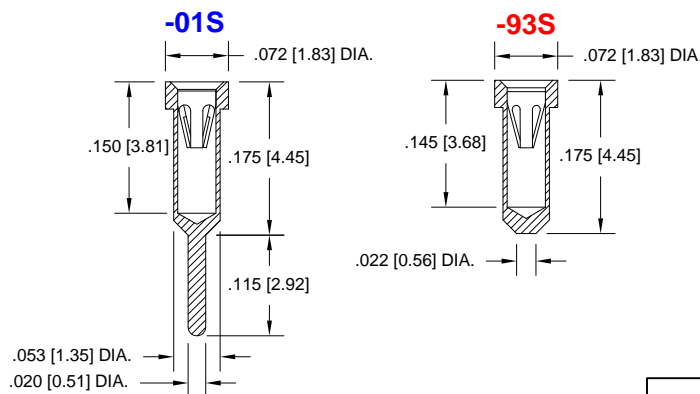


**Fig. 1**

Thru-Hole: R200-0404-02T-01S-R15-L14  
Surface Mount: R200-0404-02T-93S-R15-L14

### Socket Terminal Details

Cross Section View Shown Units: in [mm]

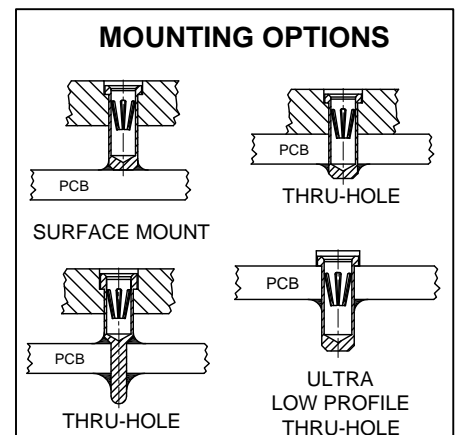


**Material:**

Insulator: Hi-Temp UL 94V-O  
Terminal: Brass, per ASTM-B16  
Contact: BeCu, Per ASTM-B194

**Plating: RoHS COMPLIANT**  
R15 TERMINAL: GOLD / CONTACT: GOLD  
R17 TERMINAL: TIN / CONTACT: GOLD  
OTHER PLATINGS AVAILABLE

Terminal Acceptance and Forces							
Thru Hole Terminals				Surface Mount Terminals			
Thru Hole Terminal	Accepts Pin Diameter	Insertion Force	Withdrawal Force	Surface Mount Terminal	Accepts Pin Diameter	Insertion Force	Withdrawal Force
-01S	Ø.018 [Ø0.46]	9.0 oz Avg.	2.0 oz Min	-93S	Ø.018 [Ø0.46]	9.0 oz Avg.	2.0 oz Min



©Copyright 2010 Andon Electronics Corporation. All Rights Reserved. This material is protected under US and other copyrights and may not be copied, sold, or redistributed in any form without written permission of Andon Electronics Corporation. Copyrights and trademarks are property of their respective companies. We reserve the right to change specifications without notice. Andon makes no warranty, expressed or implied, as to the suitability of the sockets for the intended purpose.

**"ANDON PROPRIETARY INFORMATION"**  
RoHS Compliant

\*Sockets are not drawn to scale Applied Sensor 06/09/2010