



ANDON
INTERCONNECTION SPECIALISTS



aia
advancing VISION-IMAGING
MEMBER



**High-Reliability Gas Sensor Sockets
for Alphasense Ltd.**

Alphasense

AMETEK®



Featuring Andon's Unique SenstacTM Contact

Alphasense Ltd. Gas Sensor to Socket Cross Reference						
Alphasense Ltd. Part Number	Andon Electronics Part Number <i>Replace "XXXX" with Terminal Style</i>	Terminal Style		Pin Ø [in]	Figure Number	Page Number
		Thru-Hole	Surface Mount			
CH-A3	R300-SP03-01T-XXXX-R27-L14	436P55	440P55	.060	3	3
CH-D3	R196-SP04-01T-XXXX-R27-L14	295V	439V	.030	1	3
CL2-A1	R530-0403-01T-XXXX-R27-L14	436P55	440P55	.060	6	4
CL2-B1	R670-0804-01T-XXXX-R27-L14	433E	285E	.040	9	4
CL2-D4	R300-SP04-02T-XXXX-R27-L14	295V	439V	.030	4	3
CL3-D4	R300-SP04-02T-XXXX-R27-L14	295V	439V	.030	4	3
CO2-D1	R200-SP03-03T-XXXX-R27-L14	01S	93S	.025	2	3
CO-A1	R530-0403-01T-XXXX-R27-L14	436P55	440P55	.060	6	4
CO-A4	R530-SP04-01T-XXXX-R27-L14	436P55	440P55	.060	8	4
CO-A4F	R530-SP04-1T-XXXX-R27-L14	436P55	440P55	.060	8	4
CO-AE	R530-0403-01T-XXXX-R27-L14	436P55	440P55	.060	6	4
CO-AF	R530-0403-01T-XXXX-R27-L14	436P55	440P55	.060	6	4
CO-AX	R530-0403-01T-XXXX-R27-L14	436P55	440P55	.060	6	4
CO-B1	R670-0804-01T-XXXX-R27-L14	433E	285E	.040	9	4
CO-B4	R670-0804-01T-XXXX-R27-L14	433E	285E	.040	9	4
CO-BF	R670-0804-01T-XXXX-R27-L14	433E	285E	.040	9	4
CO-BX	R670-0804-01T-XXXX-R27-L14	433E	285E	.040	9	4
CO-CE	R530-0403-01T-XXXX-R27-L14	436P55	440P55	.060	6	4
CO-CF	R530-0403-01T-XXXX-R27-L14	436P55	440P55	.060	6	4
CO-CX	R530-0403-01T-XXXX-R27-L14	436P55	440P55	.060	6	4
CO-D4	R300-SP04-02T-XXXX-R27-L14	295V	439V	.030	4	3
CO-D4X	R300-SP04-02T-XXXX-R27-L14	295V	439V	.030	4	3
COH-A2	R530-SP04-01T-XXXX-R27-L14	436P55	440P55	.060	8	4
D2	R300-SP04-02T-XXXX-R27-L14	295V	439V	.030	4	3
ETO-A1	R530-0403-01T-XXXX-R27-L14	436P55	440P55	.060	6	4
ETO-B1	R670-0804-01T-XXXX-R27-L14	433E	285E	.040	9	4
H2-AF	R530-0403-01T-XXXX-R27-L14	436P55	440P55	.060	6	4
H2-BF	R300-SP04-02T-XXXX-R27-L14	295V	439V	.030	4	3
H2O2-A1	R530-0403-01T-XXXX-R27-L14	436P55	440P55	.060	6	4
H2O2-B1	R670-0804-01T-XXXX-R27-L14	433E	285E	.040	9	4
H2S/COA2	R300-SP04-02T-XXXX-R27-L14	295V	439V	.030	4	3
H2S/COD2	R300-SP04-02T-XXXX-R27-L14	295V	439V	.030	4	3
H2S-A1	R530-0403-01T-XXXX-R27-L14	436P55	440P55	.060	6	4
H2S-A4	R530-SP04-01T-XXXX-R27-L14	436P55	440P55	.060	8	4
H2S-A41	R530-SP04-01T-XXX-R27-L14	436P55	440P55	.600	8	4
H2S-AE	R530-0403-01T-XXXX-R27-L14	436P55	440P55	.060	6	4
H2S-AH	R530-0403-01T-XXXX-R27-L14	436P55	440P55	.060	6	4
H2S-B1	R670-0804-01T-XXXX-R27-L14	433E	285E	.040	9	4
H2S-B4	R670-0804-01T-XXXX-R27-L14	433E	285E	.040	9	4
H2S-BE	R670-0804-01T-XXXX-R27-L14	433E	285E	.040	9	4
H2S-BH	R670-0804-01T-XXXX-R27-L14	433E	285E	.040	9	4
H2S-CO	R300-SP04-02T-XXXX-R27-L14	295V	439V	.030	4	3
H2S-D4	R300-SP04-02T-XXXX-R27-L14	295V	439V	.030	4	3
HCL-A1	R530-0403-01T-XXXX-R27-L14	436P55	440P55	0.06	6	4
HCL-B1	R670-0804-01T-XXXX-R27-L14	433E	285E	0.04	9	4
HCN-A1	R530-0403-01T-XXXX-R27-L14	436P55	440P55	0.06	6	4
HCN-B1	R670-0804-01T-XXXX-R27-L14	433E	285E	0.04	9	4
HCN-D4	R300-SP04-02T-XXXX-R27-L14	295V	439V	0.03	4	3
IRC-A1	R450-SP07-01N-XXXX-R27-L14	436P55	440P55	0.06	5	3
IRC-AT	R450-SP07-01N-XXXX-R27-L14	436P55	440P55	0.06	5	3
IRM-AT	R450-SP07-01N-XXXX-R27-L14	436P55	440P55	0.06	5	3
LFO2-A1	R530-0403-01T-XXXX-R27-L14	436P55	440P55	0.06	6	4
LFO2-A4	R530-0403-01T-XXXX-R27-L14	436P55	440P55	0.06	6	4
LFO2-AH	R530-0403-01T-XXXX-R27-L14	436P55	440P55	0.06	6	4
LFO2-AL	R530-0403-01T-XXXX-R27-L14	436P55	440P55	0.06	6	4

Heat sink socket available to reduce heat and noise. Contact Andon for details.

Alphasense Ltd. Gas Sensor to Socket Cross Reference						
Alphasense Ltd. Part Number	Andon Electronics Part Number <i>Replace "XXXX" with Terminal Style</i>	Terminal Style		Pin Ø [in]	Figure Number	Page Number
		Thru-Hole	Surface Mount			
NH3-AF	R530-0403-01T-XXXX-R27-L14	436P55	440P55	.060	6	4
NH3-B1	R670-0804-01T-XXXX-R27-L14	433E	285E	.040	9	4
NO2-A1	R530-0403-01T-XXXX-R27-L14	436P55	440P55	.060	6	4
NO2-A43F	R530-SP04-01T-XXXX-R27-L14	436P55	440P55	.060	8	4
NO2-AE	R530-0403-01T-XXXX-R27-L14	436P55	440P55	.060	6	4
NO2-B1	R670-0804-01T-XXXX-R27-L14	433E	285E	.040	9	4
NO2-B43F	R670-0804-01T-XXXX-R27-L14	433E	285E	.040	9	4
NO2-D4	R300-SP04-02T-XXXX-R27-L14	295V	439V	.030	4	3
NO-A1	R530-0403-01T-XXXX-R27-L14	436P55	440P55	.060	6	4
NO-A4	R530-SP04-01T-XXXX-R27-L14	436P55	440P55	.060	8	4
NO-A41	R530-SP04-01T-XXX-R27-L14	436P55	440P55	.600	8	4
NO-AE	R530-0403-01T-XXXX-R27-L14	436P55	440P55	.060	6	4
NO-B1	R670-0804-01T-XXXX-R27-L14	433E	285E	.040	9	4
NO-B4	R670-0804-01T-XXXX-R27-L14	433E	285E	.040	9	4
NO-D4	R300-SP04-02T-XXXX-R27-L14	295V	439V	.030	4	3
O2-A1	R530-0403-01T-XXXX-R27-L14	436P55	440P55	.060	6	4
O2-A2	R530-0403-01T-XXXX-R27-L14	436P55	440P55	.060	6	4
O2-A2Ni	R530-0403-02N-XXX-R27-L14	436P55	440P55	.600	6	4
O2-A3	R530-0403-01T-XXXX-R27-L14	436P55	440P55	.060	6	4
O2-C2	R530-0403-01T-XXXX-R27-L14	436P55	440P55	.060	6	4
O2-G1	R530-0403-01T-XXXX-R27-L14	436P55	440P55	.060	6	4
O2-G2	R530-0403-01T-XXXX-R27-L14	436P55	440P55	.060	6	4
O3-AH	R530-0403-01T-XXXX-R27-L14	436P55	440P55	.060	6	4
OX-A431	R530-SP04-01T-XXXX-R27-L14	436P55	440P55	.060	8	4
OX-B431	R670-0804-01T-XXXX-R27-L14	433E	285E	.040	9	4
PH3-A1	R530-0403-01T-XXXX-R27-L14	436P55	440P55	.060	6	4
PH3-B1	R670-0804-01T-XXXX-R27-L14	433E	285E	.040	9	4
PH3-BE	R670-0804-01T-XXXX-R27-L14	433E	285E	.040	9	4
PID-A	R300-SP03-01T-XXXX-R27-L14	436P55	440P55	.060	3	3
PID-A12	R300-SP03-01T-XXXX-R27-L14	436P55	440P55	.060	3	3
PID-A15	R300-SP03-01T-XXXX-R27-L14	436P55	440P55	.060	3	3
PID-AG5	R300-SP03-01T-XXXX-R27-L14	436P55	440P55	.060	3	3
PID-AH12	R300-SP03-01T-XXXX-R27-L14	436P55	440P55	.060	3	3
PID-AH2	R300-SP03-01T-XXXX-R27-L14	436P55	440P55	.060	3	3
PID-AH5	R300-SP03-01T-XXXX-R27-L14	436P55	440P55	.060	3	3
PID-AR5	R300-SP03-01T-XXXX-R27-L14	436P55	440P55	.060	3	3
PID-AY5	R300-SP03-01T-XXXX-R27-L14	436P55	440P55	.060	3	3
PIDX-A-020	R300-SP03-01T-XXXX-R27-L14	436P55	440P55	.060	3	3
PIDX-A-040	R300-SP03-01T-XXXX-R27-L14	436P55	440P55	.060	3	3
PIDX-A-04K	R300-SP03-01T-XXXX-R27-L14	436P55	440P55	.060	3	3
PIDX-A-200	R300-SP03-01T-XXXX-R27-L14	436P55	440P55	.060	3	3
PRHT-A1	R530-SP04-01T-XXXX-R15-L14	433E	285E	0.04	7	4
RHT-A1	R530-SP04-01T-XXXX-R15-L14	433E	285E	0.04	7	4
SO2-A4	R530-SP04-01T-XXXX-R27-L14	436P55	440P55	0.06	8	4
SO2-A4F	R530-SP04-01T-XXX-R27-L14	436P55	440P55	0.06	6	4
SO2-AE	R530-0403-01T-XXXX-R27-L14	436P55	440P55	0.06	6	4
SO2-AF	R530-0403-01T-XXXX-R27-L14	436P55	440P55	0.06	6	4
SO2-B4	R670-0804-01T-XXXX-R27-L14	433E	285E	0.04	9	4
SO2-BE	R670-0804-01T-XXXX-R27-L14	433E	285E	0.04	9	4
SO2-BF	R670-0804-01T-XXXX-R27-L14	433E	285E	0.04	9	4
SO2-D4	R300-SP04-02T-XXXX-R27-L14	295V	439V	0.03	4	3
SOH-A2	R530-SP04-01T-XXXX-R27-L14	436P55	440P55	0.06	8	4
VOC-A4	R530-SP04-01T-XXXX-R27-L14	436P55	440P55	0.06	8	4
VOC-B4	R670-0804-01T-XXXX-R27-L14	433E	285E	0.04	9	4

Heat sink socket available to reduce heat and noise. Contact Andon for details.

©Copyright 2026 Andon Electronics Corporation. All Rights Reserved. This material is protected under US and other copyrights and may not be copied, sold, or redistributed in any form without written permission of Andon Electronics Corporation. Copyrights and trademarks are property of their respective companies. We reserve the right to change specifications without notice. Andon makes no warranty, expressed or implied, as to the suitability of the sockets for the intended purpose.

"ANDON PROPRIETARY INFORMATION"
RoHS Compliant

*Sockets are not drawn to scale Alphasense Ltd. 03/13/2026

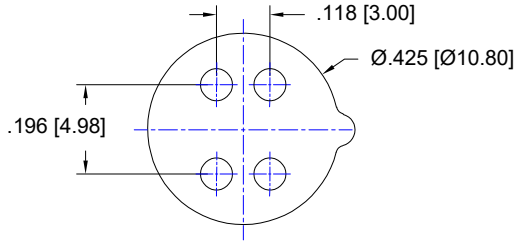


FIG: 01

Thru-Hole: R196-SP04-01T-295V-R27-L14
Surface Mount: R196-SP04-01T-439V-R27-L14

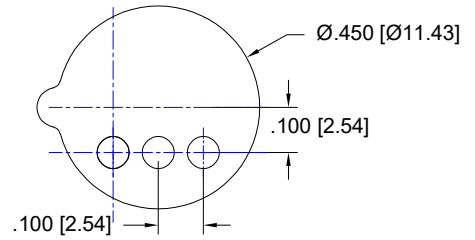


FIG: 02

Thru-Hole: R200-SP03-03T-01S-R27-L14
Surface Mount: R200-SP03-03T-93S-R27-L14

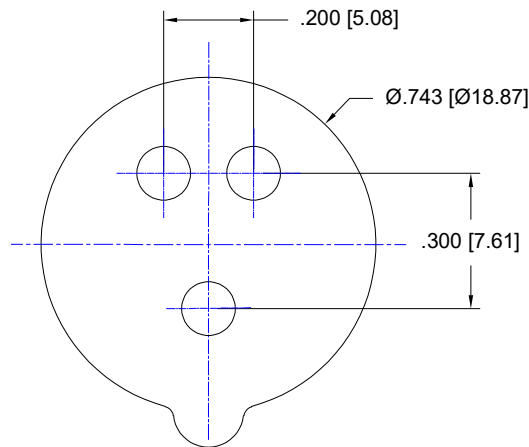


FIG: 03

Thru-Hole: R300-SP03-01T-436P55-R27-L14
Surface Mount: R300-SP03-01T-440P55-R27-L14

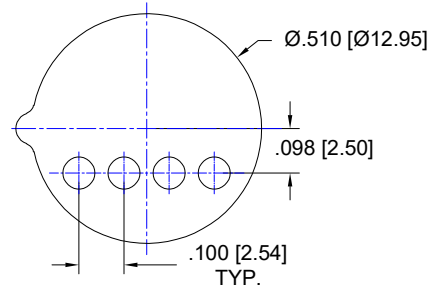


FIG: 04

Thru-Hole: R300-SP04-02T-295V-R27-L14
Surface Mount: R300-SP04-02T-439V-R27-L14

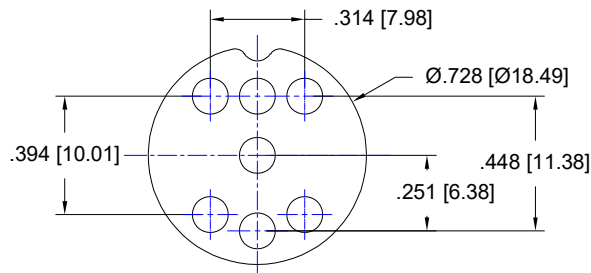


FIG: 05

Thru-Hole: R450-SP07-01N-436P55-R27-L14
Surface Mount: R450-SP07-01N-440P55-R27-L14

Heat sink socket available to reduce heat and noise. Contact Andon for details.

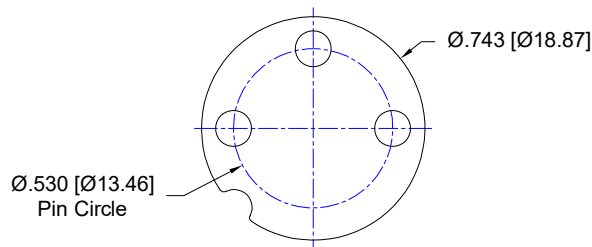


FIG: 06
Thru-Hole: R530-0403-02N-436P55-R27-L14
Surface Mount: R530-0403-02N-440P55-R27-L14

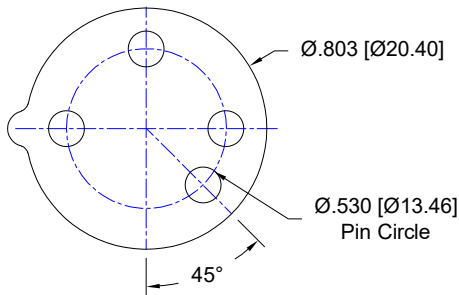


FIG: 07
Thru-Hole: R530-SP04-02T-433E-R27-L14
Surface Mount: R530-SP04-02T-285E-R27-L14

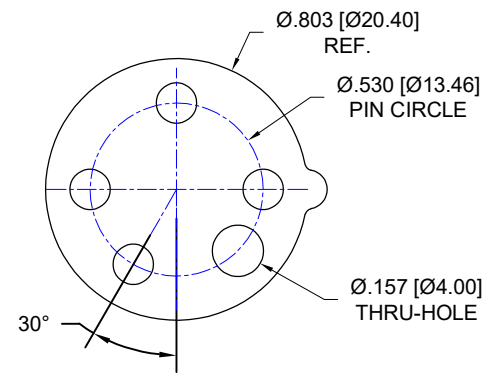


FIG: 08
Thru-Hole: R530-SP04-01T-436P55-R27-L14
Surface Mount: R530-SP04-01T-440P55-R27-L14

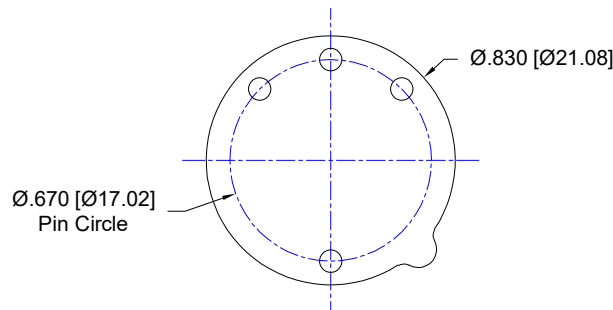
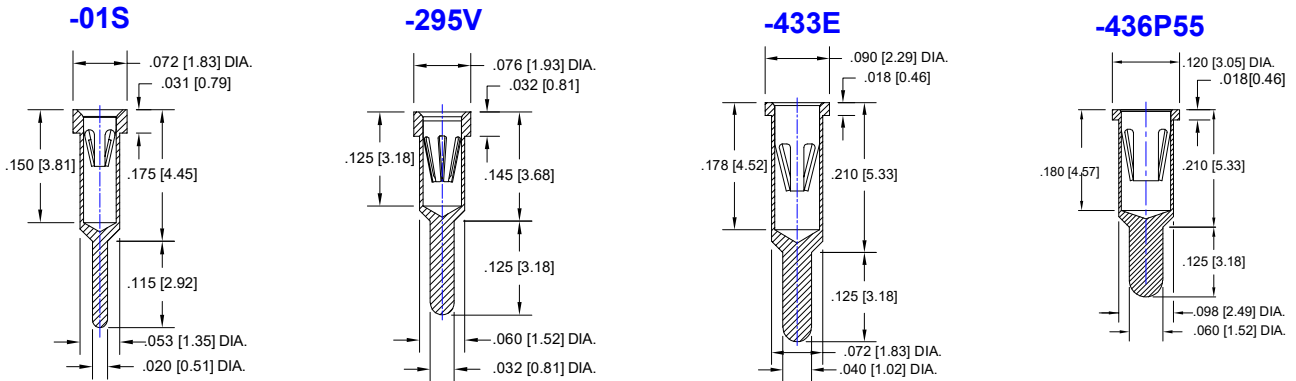


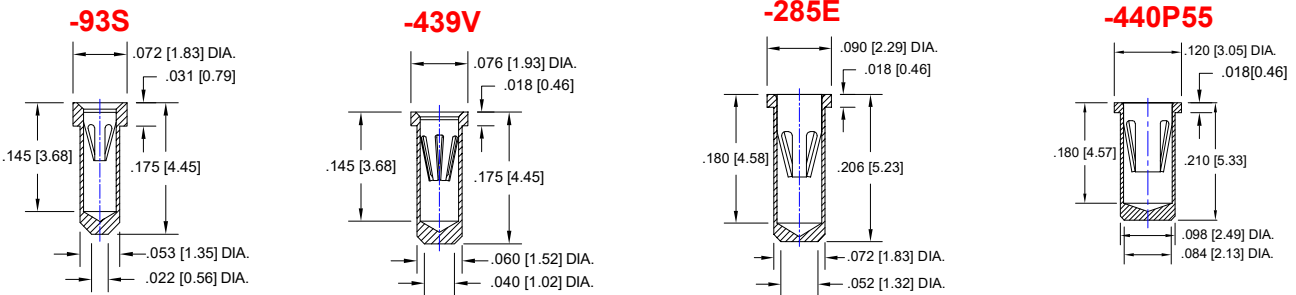
FIG: 09
Thru-Hole: R670-0804-01T-433E-R27-L14
Surface Mount: R670-0804-01T-285E-R27-L14

Heat sink socket available to reduce heat and noise. Contact Andon for details.

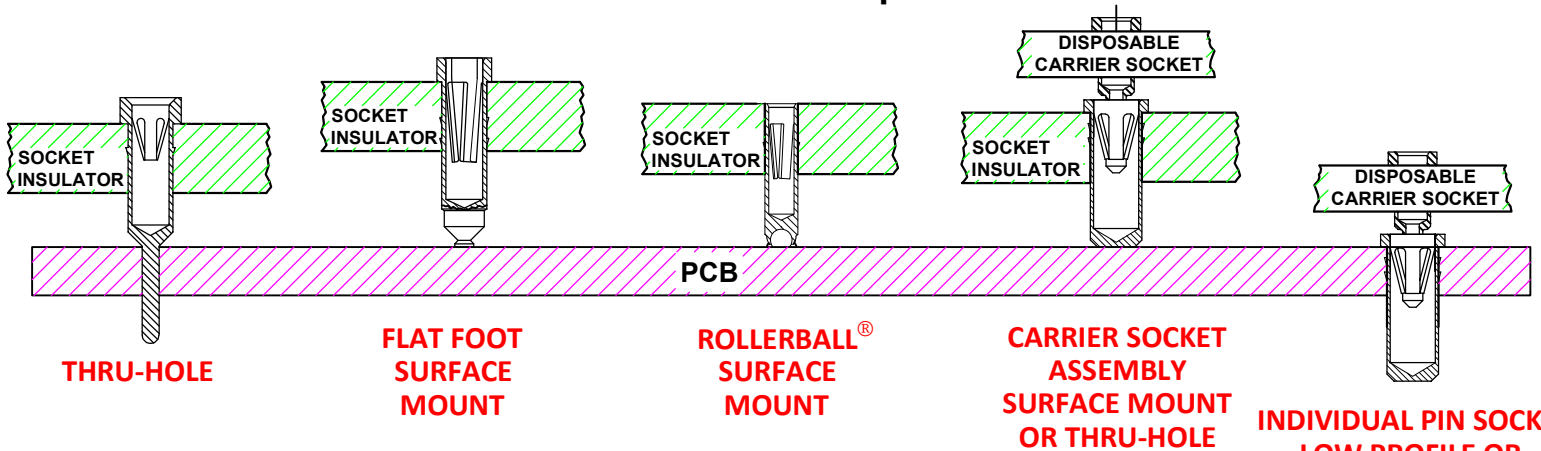
THRU HOLE OPTION



SURFACE MOUNT OPTION



Socket Terminal Options



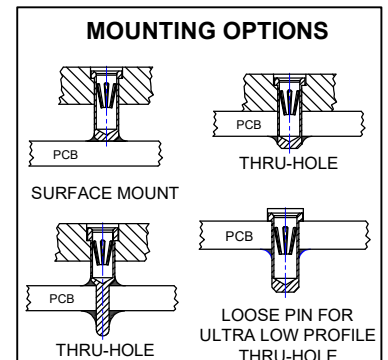
Technical Information

Material:

Insulator: Hi-Temp UL 94V-O
Terminal: Brass, per ASTM-B16
Contact: BeCu, Per ASTM-B194

Plating: RoHS COMPLIANT
R27 TERMINAL: GOLD / CONTACT: GOLD
OTHER PLATINGS AVAILABLE

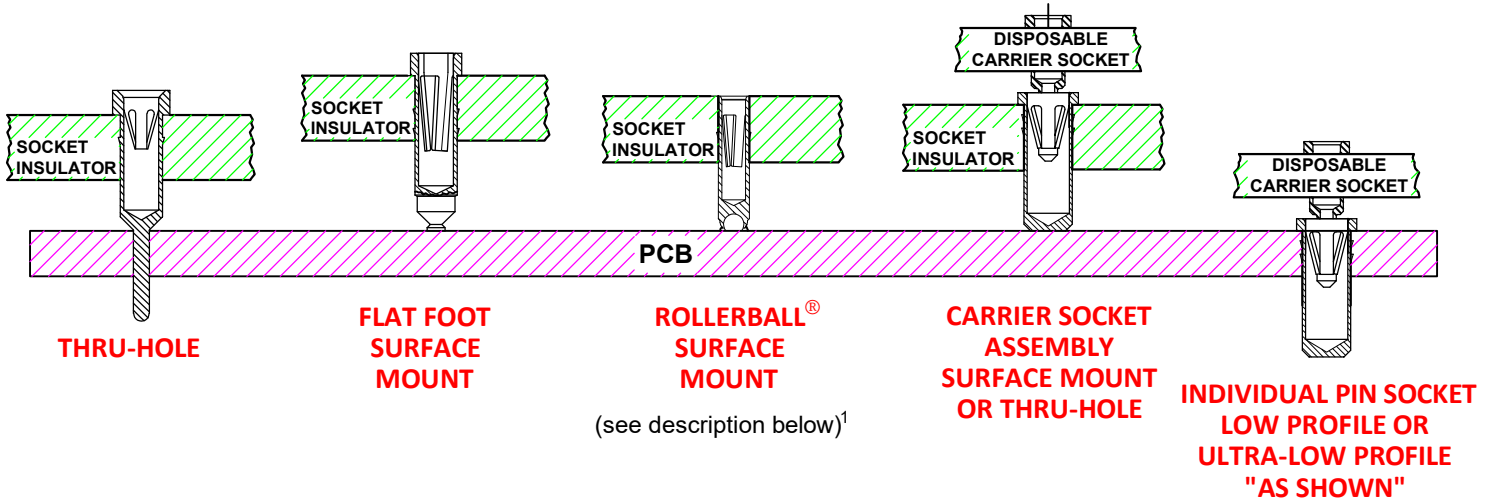
Terminal Acceptance and Forces							
Thru Hole Socket Terminals				Surface Mount Socket Terminals			
Thru Hole Terminal	Accepts Pin Diameter	Insertion Force	Withdrawal Force	Surface Mount Terminal	Accepts Pin Diameter	Insertion Force	Withdrawal Force
-01S	Ø.018 [Ø0.46]	9.0 oz Avg.	2.0 oz Min	-93S	Ø.018 [Ø0.46]	9.0 oz Avg.	2.0 oz Min
-295V	Ø.030 [Ø0.76]	13.2 oz Max	3.5 oz Min	-439V	Ø.030 [Ø0.76]	13.2 oz Max	3.5 oz Min
-433E	Ø.040 [Ø1.02]	36.0 oz Max	3.9 oz Min	-285E	Ø.040 [Ø1.02]	36.0 oz Max	3.9 oz Min
-436P55	Ø.060 [Ø1.52]	15.5 oz Max	2.1 oz Min	-440P55	Ø.060 [Ø1.52]	15.5 oz Max	2.1 oz Min



©Copyright 2026 Andon Electronics Corporation. All Rights Reserved. This material is protected under US and other copyrights and may not be copied, sold, or redistributed in any form without written permission of Andon Electronics Corporation. Copyrights and trademarks are property of their respective companies. We reserve the right to change specifications without notice. Andon makes no warranty, expressed or implied, as to the suitability of the sockets for the intended purpose.

"ANDON PROPRIETARY INFORMATION"
RoHS Compliant

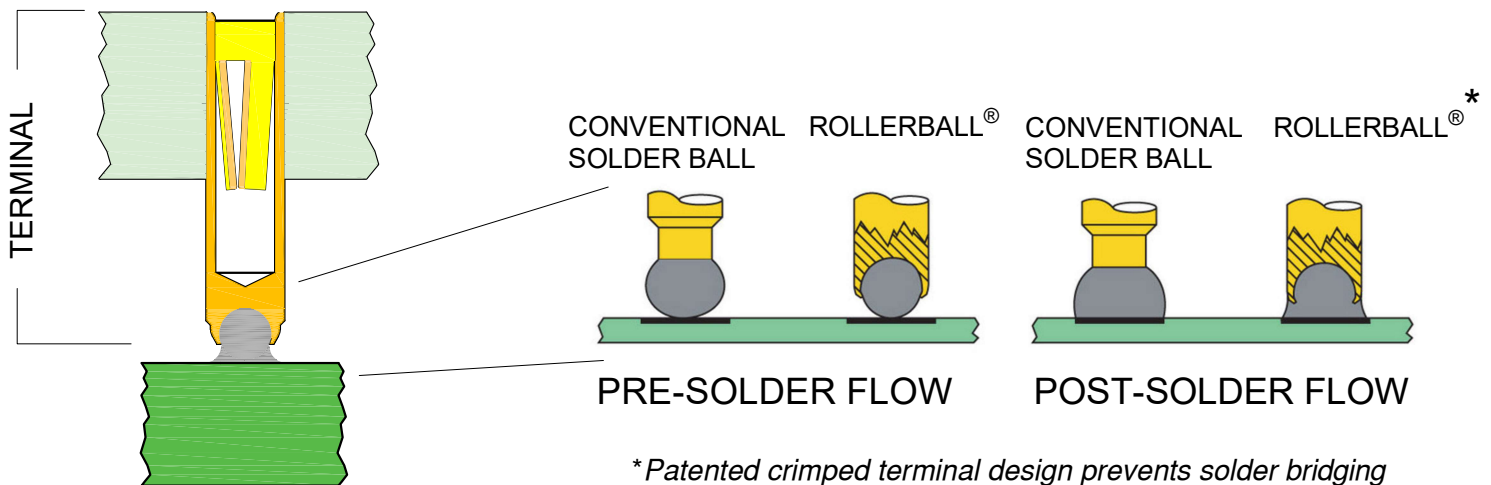
*Sockets are not drawn to scale **Alphasense Ltd.** 03/13/2026



¹Andon's patented Rollerball[®] socket terminal option provides more accurate soldering, a stronger connection, and improved electrical connectivity - especially under shock and vibration - than other solder ball terminal designs. Better yet, it can enable you to avoid expensive rework and scrap - especially with larger PCBs where coplanarity is an inherent challenge.

The bottom of these terminals has a radiused hole, to prevent gas entrapment. The terminal is crimped over the solder ball beyond its hemisphere, encapsulating it - leaving just enough of the solder ball exposed to provide sufficient solder without the solder bridging common in conventional solder ball terminal designs.

With this unique design, the critical distance between the terminal and the PC board pad is typically reduced from .036"-.040" to .018"-.022". As such, the solder becomes part of the "anchor" cross-section - providing additional mechanical strength to the connection, as well as improved electrical connectivity. Because it also provides controlled dispersion of solder, this encapsulated solder ball reduces the risk of solder bridging inherent in conventional solder ball terminal designs.



For fast, accurate placement of SIP sockets and ultra-low profile terminals

Phase 1:
Receive Carrier Assemblies designed to your pin layout.



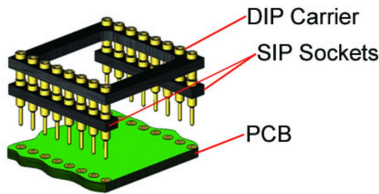
Phase 2:
Place carrier assemblies onto PCB; run through your soldering process.



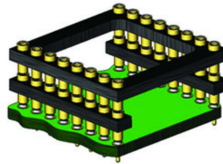
Phase 3:
Remove carrier and plug in your device; discard carrier or send back to our factory for reloading.

DIP

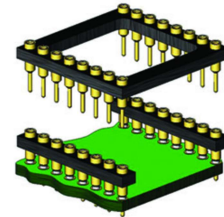
Before Soldering



During Soldering

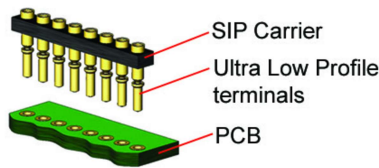


After Soldering

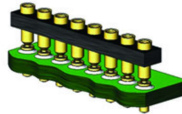


ULTRA-LOW PROFILE SIP

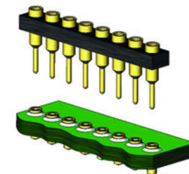
Before Soldering



During Soldering

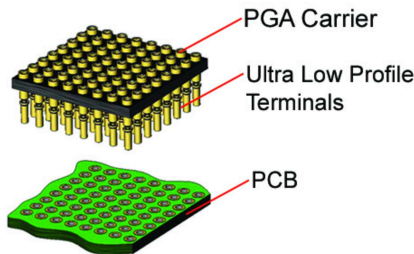


After Soldering

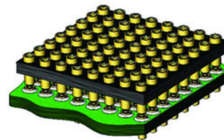


ULTRA-LOW PROFILE PGA

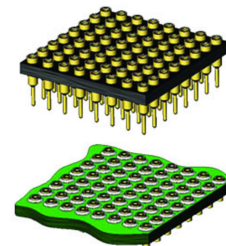
Before Soldering



During Soldering

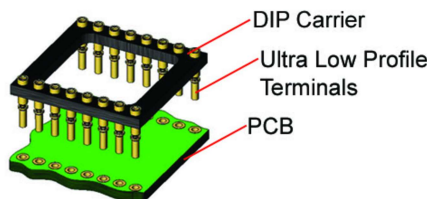


After Soldering

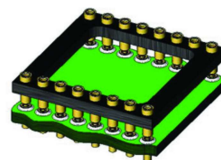


ULTRA LOW PROFILE DIP

Before Soldering



During Soldering



After Soldering

