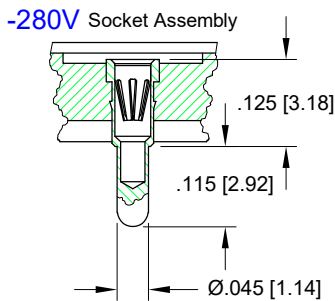
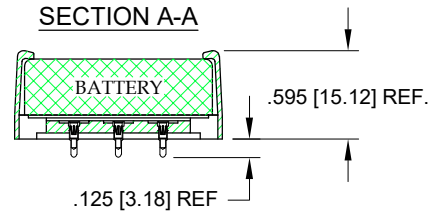
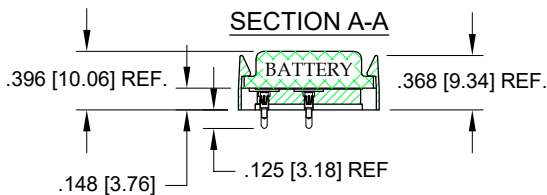
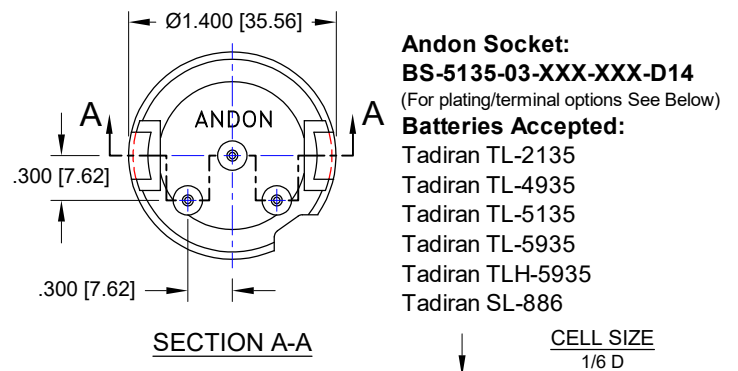
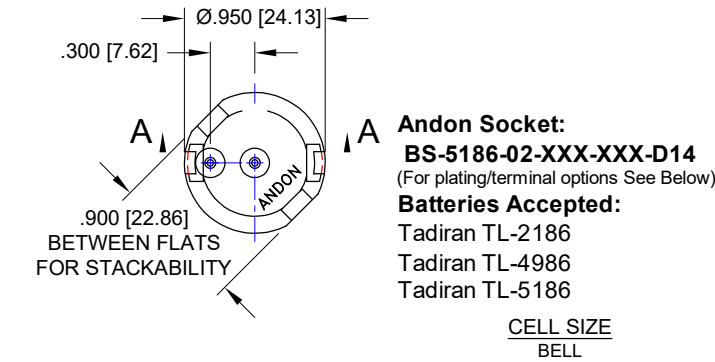
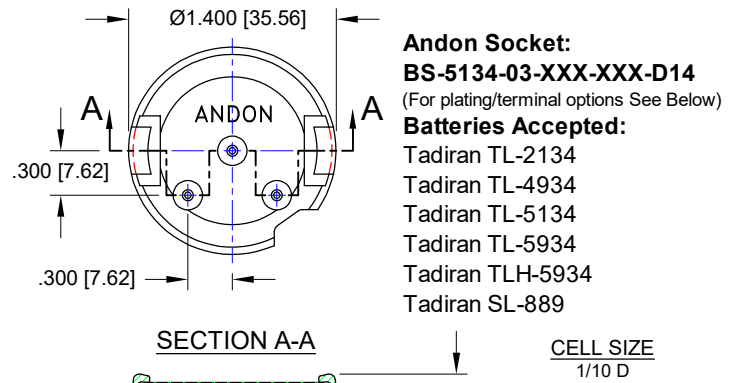
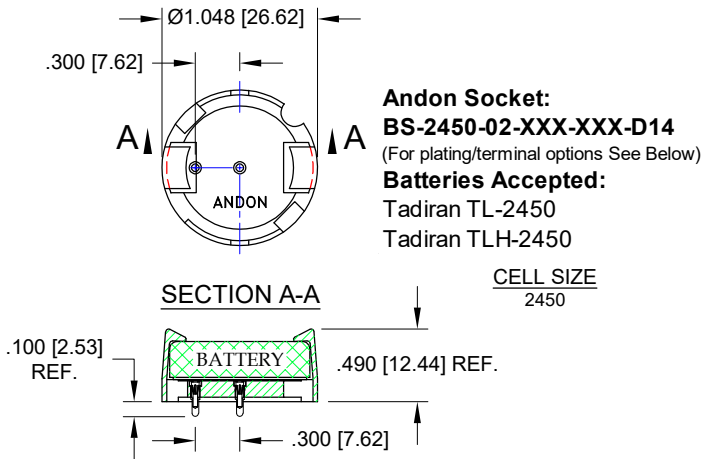
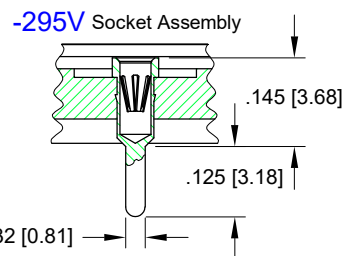


# Tadiran Battery Sockets



Mounting Hole Diameter:  
Ø .055 [1.40] - Ø.065 [1.65]  
Accepts Battery Tail Length:  
.135 [3.43] - .210 [5.33]  
Accepts Tail Diameter:  
Ø.025 [0.64] - Ø.037 [0.94]



Mounting Hole Diameter:  
Ø .042 [1.07] - Ø.052 [1.32]  
Accepts Battery Tail Length:  
.115 [2.92] - .132 [3.35]  
Accepts Tail Diameter:  
Ø.025 [0.64] - Ø.037 [0.94]

## TECHNICAL INFORMATION

### MATERIAL:

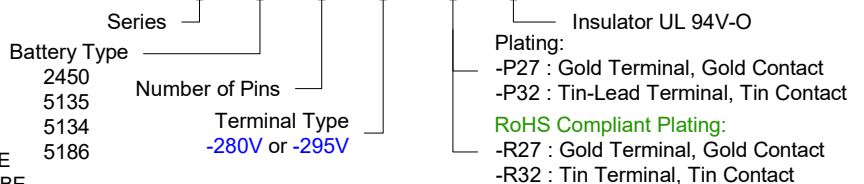
**INSULATOR:** UL 94V-O  
**TERMINAL:** BRASS, PER ASTM-B16  
**CONTACT:** BeCu, PER ASTM-B194

### FORCES: (STANDARD) SEE BELOW

**"V" INSERTION:** 13.23 oz. MAX. WITH .026 [0.66] DIA. PROBE  
**WITHDRAWAL:** 3.53 oz. MIN. WITH .026 [0.66] DIA. PROBE

## Ordering Information

BS-XXXX-XX-XXXX-XXX-D14



**Andon Proprietary Information**  
**RoHS Compliant**