



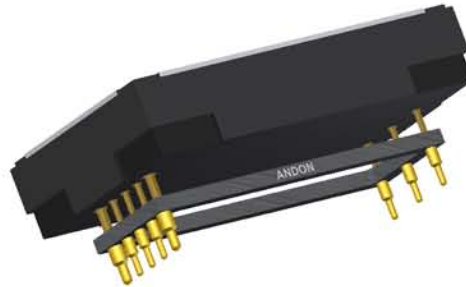
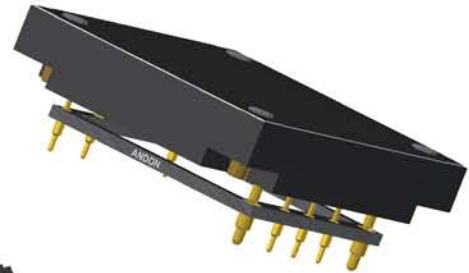
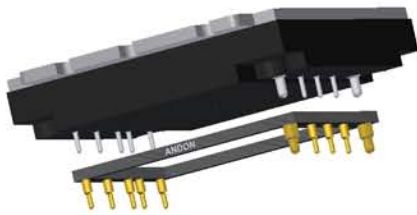
**ANDON**  
INTERCONNECTION SPECIALISTS



RoHS Compliant  
ISO 9001  
Certified

## **CONVERTER SOCKETS FOR**

# **SynQor<sup>®</sup>**



***Largest Line of High Reliability Converter Sockets  
with Andon's Unique Senstac<sup>™</sup> Contact***

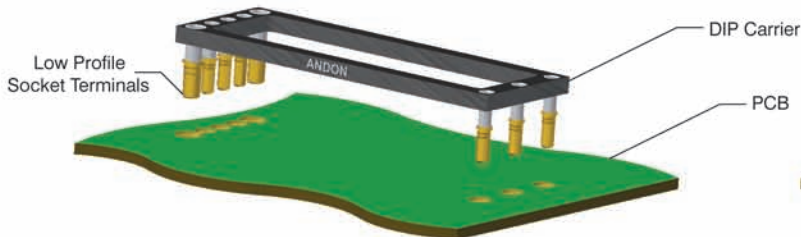
[www.andonelect.com](http://www.andonelect.com) or [www.andonelectronics.com](http://www.andonelectronics.com)

SynQor<sup>®</sup> is the Registered Trademark of SynQor

**For SynQor Converters**

**LOW PROFILE REMOVABLE CARRIER INSTRUCTIONS**

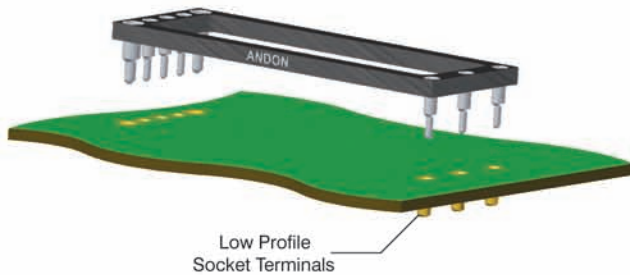
**1 CARRIER BEFORE SOLDERING**



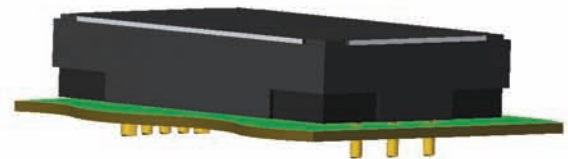
**2 LOAD ON PCB AND SOLDER SOCKET TERMINALS**



**3 REMOVE CARRIER AFTER SOLDERING**

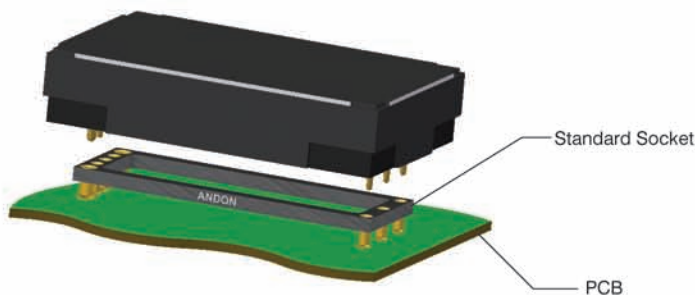


**4 PLUG DEVICE INTO SOCKET TERMINALS SOLDERED ON PCB**

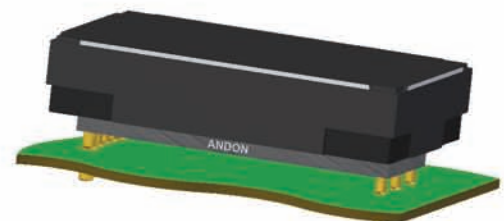


**STANDARD SOCKET INSTRUCTIONS**

**1 SOLDER SOCKET INTO PCB**



**2 PLUG DEVICE INTO SOCKET**



SynQor Continued						
SynQor Model Number	Andon Part Number Replace "XXX" with Terminal Type	Terminal Type		Pin Ø [in]	Figure Number	Page Number
		Thru-Hole	Surface Mount			
IQ48xxxHPXxxx	CSP1900-08-02-XXX-R27-L14	507EP72	508EP72	.040/.080	19-2	9
IQ48xxxHTXxxx	CSP1900-08-02-XXX-R27-L14	507EP72	508EP72	.040/.080	19-2	9
IQ48xxxHZXxxx	CSP1900-08-02-XXX-R27-L14	507EP72	508EP72	.040/.080	19-2	9
IQ48xxxQTXxxx	CSP2000-08-01-XXX-R27-L14	502EP55	503EP55	.040/.062	20-3	12
IQ48xxxSKXxxx	CSP1100-08-01-XXX-R27-L14	502EP55	503EP55	.040/.062	11-1	9
IQ48xxxSMXxxx	CSP1100-08-01-XXX-R27-L14	502EP55	503EP55	.040/.062	11-1	9
IQ4HxxxFTXxxx	CSP4200-18-01-XXX-R27-L14	507EP72	508EP72	.040/.082	42-1	13
IQ4HxxxHTXxxx	CSP1900-11-01-XXX-R27-L14	507EP72	508EP72	.040/.080	19-3	10
IQ4HxxxQTXxxx	CSP2000-08-01-XXX-R27-L14	502EP55	503EP55	.040/.062	20-3	12
IQ500PFQTC04	CSP2000-06-01-XXX-R27-L14	502EP55	503EP55	.040/.062	20-1	11
IQ64xxxHPXxxx	CSP1900-08-02-XXX-R27-L14	507EP72	508EP72	.040/.080	19-2	9
IQ64xxxQGXxx	CSP2000-08-01-XXX-R27-L14	502EP55	503EP55	.040/.062	20-3	12
IQ64xxxQTXxxx	CSP2000-08-01-XXX-R27-L14	502EP55	503EP55	.040/.062	20-3	12
IQ65033QMA10	CSP2000-18-01-XXX-R27-L14	433E	285E	.040	20-4	12
IQ68xxxHGXxxx	CSP1900-08-02-XXX-R27-L14	507EP72	508EP72	.040/.080	19-2	9
IQ70xxxHPXxx	CSP1900-08-02-XXX-R27-L14	507EP72	508EP72	.040/.080	19-2	9
IQ70xxxQTXxx	CSP2000-08-01-XXX-R27-L14	502EP55	503EP55	.040/.062	20-3	12
IQ72xxxHPXxx	CSP1900-08-02-XXX-R27-L14	507EP72	508EP72	.040/.080	19-2	9
IQ72xxxQGXxxx	CSP2000-08-01-XXX-R27-L14	502EP55	503EP55	.040/.062	20-3	12
IQ72xxxQTXxx	CSP2000-08-01-XXX-R27-L14	502EP55	503EP55	.040/.062	20-3	12
IQ90xxxQGXxxx	CSP2000-08-01-XXX-R27-L14	502EP55	503EP55	.040/.062	20-3	12
IQ90xxxHPXxx	CSP1900-08-02-XXX-R27-L14	507EP72	508EP72	.040/.080	19-2	9
IQ90xxxQMXxxx	CSP2000-08-01-XXX-R27-L14	502EP55	503EP55	.040/.062	20-3	12
IQ90xxxQTXxx	CSP2000-08-01-XXX-R27-L14	502EP55	503EP55	.040/.062	20-3	12
IQ200PFQTC10	CSP2000-06-01-XXX-R27-L14	502EP55	503EP55	.040/.062	20-1	11
IQ1BxxxHPXxxx	CSP1900-08-02-XXX-R27-L14	507EP72	508EP72	.040/.080	19-2	9
IQ1BxxxQGXxxx	CSP2000-08-01-XXX-R27-L14	502EP55	503EP55	.040/.062	20-3	12
IQ1BxxxQTXxxx	CSP2000-08-01-XXX-R27-L14	502EP55	503EP55	.040/.062	20-3	12
MCOTS-C-28-05-HP	CSP1900-08-02-XXX-R27-L14	507EP72	508EP72	.040/.080	19-2	9
MCOTS-C-28-05-QT	CSP2000-08-01-XXX-R27-L14	502EP55	503EP55	.040/.062	20-3	12
MCOTS-C-28-05-SM	CSP1100-08-01-XXX-R27-L14	502EP55	503EP55	.040/.062	11-1	9
MCOTS-C-28-07-QT	CSP2000-08-01-XXX-R27-L14	502EP55	503EP55	.040/.062	20-3	12
MCOTS-C-28-07-SM	CSP1100-08-01-XXX-R27-L14	502EP55	503EP55	.040/.062	11-1	9
MCOTS-C-28-12-HP	CSP1900-08-02-XXX-R27-L14	507EP72	508EP72	.040/.080	19-2	9
MCOTS-C-28-12-HZ	CSP1900-10-01-XXX-R27-L14	507EP72	508EP72	.040/.080	19-1	9
MCOTS-C-28-12-QT	CSP2000-08-01-XXX-R27-L14	502EP55	503EP55	.040/.062	20-3	12
MCOTS-C-28-12-SM	CSP1100-08-01-XXX-R27-L14	502EP55	503EP55	.040/.062	11-1	9
MCOTS-C-28-15-HP	CSP1900-08-02-XXX-R27-L14	507EP72	508EP72	.040/.080	19-2	9
MCOTS-C-28-15-QT	CSP2000-08-01-XXX-R27-L14	502EP55	503EP55	.040/.062	20-3	12
MCOTS-C-28-24-HP	CSP1900-08-02-XXX-R27-L14	507EP72	508EP72	.040/.080	19-2	9
MCOTS-C-28-24-QT	CSP2000-08-01-XXX-R27-L14	502EP55	503EP55	.040/.062	20-3	12
MCOTS-C-28-28-HP	CSP1900-08-02-XXX-R27-L14	507EP72	508EP72	.040/.080	19-2	9
MCOTS-C-28-28-HZ	CSP1900-10-01-XXX-R27-L14	507EP72	508EP72	.040/.080	19-1	9
MCOTS-C-28-28-QT	CSP2000-08-01-XXX-R27-L14	502EP55	503EP55	.040/.062	20-3	12
MCOTS-C-28-40-HP	CSP1900-08-02-XXX-R27-L14	507EP72	508EP72	.040/.080	19-2	9
MCOTS-C-28-48-HP	CSP1900-10-01-XXX-R27-L14	507EP72	508EP72	.040/.080	19-1	9
MCOTS-C-28-48-QT	CSP2000-08-01-XXX-R27-L14	502EP55	503EP55	.040/.062	20-3	12
MCOTS-C-28-50-HZ	CSP1900-10-01-XXX-R27-L14	507EP72	508EP72	.040/.080	19-1	9
MCOTS-C-48-05-HP	CSP1900-08-02-XXX-R27-L14	507EP72	508EP72	.040/.080	19-2	9
MCOTS-C-48-05-QT	CSP2000-08-01-XXX-R27-L14	502EP55	503EP55	.040/.062	20-3	12
MCOTS-C-48-05-SM	CSP1100-08-01-XXX-R27-L14	502EP55	503EP55	.040/.062	11-1	9
MCOTS-C-48-07-QT	CSP2000-08-01-XXX-R27-L14	502EP55	503EP55	.040/.062	20-3	12
MCOTS-C-48-07-SM	CSP1100-08-01-XXX-R27-L14	502EP55	503EP55	.040/.062	11-1	9
MCOTS-C-48-12-HP	CSP1900-08-02-XXX-R27-L14	507EP72	508EP72	.040/.080	19-2	9
MCOTS-C-48-12-QT	CSP2000-08-01-XXX-R27-L14	502EP55	503EP55	.040/.062	20-3	12

\* FOR ULTRA LOW PROFILE THRU-HOLE ADD "9-"  
IN FRONT OF SURFACE MOUNT PART NUMBER

9-CSPXXX-XX-XX-XXX-R27-L14

SURFACE MOUNT TERMINAL

©Copyright 2011 Andon Electronics Corporation. All Rights Reserved. This material is protected under US and other copyrights and may not be copied, sold, or redistributed in any form without written permission of Andon Electronics Corporation. Copyrights and trademarks are property of their respective companies. We reserve the right to change specifications without notice. Andon makes no warranty, expressed or implied, as to the suitability of the sockets for the intended purpose.

**"ANDON PROPRIETARY INFORMATION"**  
**RoHS Compliant**

\*Sockets are not drawn to scale SynQor 11/29/2011

SynQor Continued						
SynQor Model Number	Andon Part Number Replace "XXX" with Terminal Type	Terminal Type		Pin Ø [in]	Figure Number	Page Number
		Thru-Hole	Surface Mount			
MCOTS-C-48-12-SM	CSP1100-08-01-XXX-R27-L14	502EP55	503EP55	.040/.062	11-1	9
MCOTS-C-48-15-HP	CSP1900-08-02-XXX-R27-L14	507EP72	508EP72	.040/.080	19-2	9
MCOTS-C-48-15-QT	CSP2000-08-01-XXX-R27-L14	502EP55	503EP55	.040/.062	20-3	12
MCOTS-C-48-15-SM	CSP1100-08-01-XXX-R27-L14	502EP55	503EP55	.040/.062	11-1	9
MCOTS-C-48-24-HP	CSP1900-08-02-XXX-R27-L14	507EP72	508EP72	.040/.080	19-2	9
MCOTS-C-48-24-QT	CSP2000-08-01-XXX-R27-L14	502EP55	503EP55	.040/.062	20-3	12
MCOTS-C-48-28-HP	CSP1900-08-02-XXX-R27-L14	507EP72	508EP72	.040/.080	19-2	9
MCOTS-C-48-30-QT	CSP2000-08-01-XXX-R27-L14	502EP55	503EP55	.040/.062	20-3	12
MCOTS-C-48-40-HP	CSP1900-08-02-XXX-R27-L14	507EP72	508EP72	.040/.080	19-2	9
MCOTS-C-48-48-HP	CSP1900-08-02-XXX-R27-L14	507EP72	508EP72	.040/.080	19-2	9
MCOTS-C-48-48-QT	CSP2000-08-01-XXX-R27-L14	502EP55	503EP55	.040/.062	20-3	12
MCOTS-C-270-05-QT	CSP2000-08-01-XXX-R27-L14	502EP55	503EP55	.040/.062	20-3	12
MCOTS-C-270-12-HT	CSP1900-08-02-XXX-R27-L14	507EP72	508EP72	.040/.080	19-2	9
MCOTS-C-270-12-QT	CSP2000-08-01-XXX-R27-L14	502EP55	503EP55	.040/.062	20-3	12
MCOTS-C-270-15-QT	CSP2000-08-01-XXX-R27-L14	502EP55	503EP55	.040/.062	20-3	12
MCOTS-C-270-24-QT	CSP2000-08-01-XXX-R27-L14	502EP55	503EP55	.040/.062	20-3	12
MCOTS-C-270-28-FT	CSP4200-18-01-XXX-R27-L14	507EP72	508EP72	.040/.080	42-1	13
MCOTS-C-270-28-QT	CSP2000-08-01-XXX-R27-L14	502EP55	503EP55	.040/.062	20-3	12
MCOTS-C-270-48-HT	CSP1900-11-01-XXX-R27-L14	507EP72	508EP72	.040/.080	19-3	10
MCOTS-C-270-48-QT	CSP2000-08-01-XXX-R27-L14	502EP55	503EP55	.040/.062	20-3	12
MCOTS-C-28-1R2-SM	CSP1100-08-01-XXX-R27-L14	502EP55	503EP55	.040/.062	11-1	9
MCOTS-C-28-1R5-SM	CSP1100-08-01-XXX-R27-L14	502EP55	503EP55	.040/.062	11-1	9
MCOTS-C-28-1R8-HP	CSP1900-08-02-XXX-R27-L14	507EP72	508EP72	.040/.080	19-2	9
MCOTS-C-28-1R8-QT	CSP2000-08-01-XXX-R27-L14	502EP55	503EP55	.040/.062	20-3	12
MCOTS-C-28-1R8-SM	CSP1100-08-01-XXX-R27-L14	502EP55	503EP55	.040/.062	11-1	9
MCOTS-C-28-2R5-SM	CSP1100-08-01-XXX-R27-L14	502EP55	503EP55	.040/.062	11-1	9
MCOTS-C-28V-05-HP	CSP1900-11-01-XXX-R27-L14	507EP72	508EP72	.040/.080	19-3	10
MCOTS-C-28V-05-QT	CSP2000-08-01-XXX-R27-L14	502EP55	503EP55	.040/.062	20-3	12
MCOTS-C-28V-12-HP	CSP1900-11-01-XXX-R27-L14	507EP72	508EP72	.040/.080	19-3	10
MCOTS-C-28V-15-QT	CSP2000-08-01-XXX-R27-L14	502EP55	503EP55	.040/.062	20-3	12
MCOTS-C-28V-24-QT	CSP2000-08-01-XXX-R27-L14	502EP55	503EP55	.040/.062	20-3	12
MCOTS-C-28V-28-HP	CSP1900-08-02-XXX-R27-L14	507EP72	508EP72	.040/.080	19-2	9
MCOTS-C-28V-28-HZ	CSP1900-10-01-XXX-R27-L14	507EP72	508EP72	.040/.080	19-1	9
MCOTS-C-28V-48-HP	CSP1900-08-02-XXX-R27-L14	507EP72	508EP72	.040/.080	19-2	9
MCOTS-C-28V-12-QT	CSP2000-08-01-XXX-R27-L14	502EP55	503EP55	.040/.062	20-3	12
MCOTS-C-28V-1R8-QT	CSP2000-08-01-XXX-R27-L14	502EP55	503EP55	.040/.062	20-3	12
MCOTS-C-28V-3R3-QT	CSP2000-08-01-XXX-R27-L14	502EP55	503EP55	.040/.062	20-3	12
MCOTS-C-28VE-12-HP	CSP1900-11-01-XXX-R27-L14	507EP72	508EP72	.040/.080	19-3	10
MCOTS-C-28VE-12-QT	CSP2000-08-01-XXX-R27-L14	502EP55	503EP55	.040/.062	20-3	12
MCOTS-C-28VE-28-HP	CSP1900-11-01-XXX-R27-L14	507EP72	508EP72	.040/.080	19-3	10
MCOTS-C-28VE-28-QT	CSP2000-08-01-XXX-R27-L14	502EP55	503EP55	.040/.062	20-3	12
MCOTS-C-28VE-50-HZ	CSP1900-10-01-XXX-R27-L14	507EP72	508EP72	.040/.080	19-1	9
MCOTS-C-28-3R3-HP	CSP1900-08-02-XXX-R27-L14	507EP72	508EP72	.040/.080	19-2	9
MCOTS-C-28-3R3-QT	CSP2000-08-01-XXX-R27-L14	502EP55	503EP55	.040/.062	20-3	12
MCOTS-C-28-3R3-SM	CSP1100-08-01-XXX-R27-L14	502EP55	503EP55	.040/.060	11-1	9
MCOTS-C-48-1R2-SM	CSP1100-08-01-XXX-R27-L14	502EP55	503EP55	.040/.062	11-1	9
MCOTS-C-48-1R5-SM	CSP1100-08-01-XXX-R27-L14	502EP55	503EP55	.040/.062	11-1	9
MCOTS-C-48-1R8-HP	CSP1900-08-02-XXX-R27-L14	507EP72	508EP72	.040/.080	19-2	9
MCOTS-C-48-1R8-QT	CSP2000-08-01-XXX-R27-L14	502EP55	503EP55	.040/.062	20-3	12
MCOTS-C-48-1R8-SM	CSP1100-08-01-XXX-R27-L14	502EP55	503EP55	.040/.062	11-1	9
MCOTS-C-48-2R5-SM	CSP1100-08-01-XXX-R27-L14	502EP55	503EP55	.040/.062	11-1	9
MCOTS-C-48-3R3-HP	CSP1900-08-02-XXX-R27-L14	507EP72	508EP72	.040/.080	19-2	9
MCOTS-C-48-3R3-QT	CSP2000-08-01-XXX-R27-L14	502EP55	503EP55	.040/.062	20-3	12
MCOTS-C-48-3R3-SM	CSP1100-08-01-XXX-R27-L14	502EP55	503EP55	.040/.062	11-1	9
MCOTS-C-270-3R3-QT	CSP2000-08-01-XXX-R27-L14	502EP55	503EP55	.040/.062	20-3	12
MCOTS-F-28-P-QT	CSP2000-06-01-XXX-R27-L14	502EP55	503EP55	.040/.062	20-1	11

\* FOR ULTRA LOW PROFILE THRU-HOLE ADD "9-"  
IN FRONT OF SURFACE MOUNT PART NUMBER

9-CSPXXX-XX-XX-XXX-R27-L14

SURFACE MOUNT TERMINAL

©Copyright 2011 Andon Electronics Corporation. All Rights Reserved. This material is protected under US and other copyrights and may not be copied, sold, or redistributed in any form without written permission of Andon Electronics Corporation. Copyrights and trademarks are property of their respective companies. We reserve the right to change specifications without notice. Andon makes no warranty, expressed or implied, as to the suitability of the sockets for the intended purpose.

**"ANDON PROPRIETARY INFORMATION"**  
**RoHS Compliant**

\*Sockets are not drawn to scale SynQor 11/29/2011

<i>SynQor Continued</i>						
SynQor Model Number	Andon Part Number Replace "XXX" with Terminal Type	Terminal Type		Pin Ø [in]	Figure Number	Page Number
		Thru-Hole	Surface Mount			
MCOTS-F-28-T-HT	CSP1900-10-01-XXX-R27-L14	507EP72	508EP72	.040/.080	19-1	9
MCOTS-F-48-P-QT	CSP2000-06-01-XXX-R27-L14	502EP55	503EP55	.040/.062	20-1	11
MCOTS-F-270-P-QT	CSP2000-06-01-XXX-R27-L14	502EP55	503EP55	.040/.062	20-1	11
MQBL-28-05S	CSP1200-12-01-XXX-R27-L14	433E	285E	.040	12-1	9
MQFB-270-28B	(2)C20-006-06-01-XXX-R27-L14	433E	285E	.040	S20-1	9
MQFL-28-05D	(2)C20-006-06-01-XXX-R27-L14	433E	285E	.040	S20-1	9
MQFL-28-05S	(2)C20-006-06-01-XXX-R27-L14	433E	285E	.040	S20-1	9
MQFL-28-06S	(2)C20-006-06-01-XXX-R27-L14	433E	285E	.040	S20-1	9
MQFL-28-09S	(2)C20-006-06-01-XXX-R27-L14	433E	285E	.040	S20-1	9
MQFL-28-12D	(2)C20-006-06-01-XXX-R27-L14	433E	285E	.040	S20-1	9
MQFL-28-12S	(2)C20-006-06-01-XXX-R27-L14	433E	285E	.040	S20-1	9
MQFL-28-15D	(2)C20-006-06-01-XXX-R27-L14	433E	285E	.040	S20-1	9
MQFL-28-15S	(2)C20-006-06-01-XXX-R27-L14	433E	285E	.040	S20-1	9
MQFL-28-28-S	(2)C20-006-06-01-XXX-R27-L14	433E	285E	.040	S20-1	9
MQFL-28-1R5S	(2)C20-006-06-01-XXX-R27-L14	433E	285E	.040	S20-1	9
MQFL-28-1R8S	(2)C20-006-06-01-XXX-R27-L14	433E	285E	.040	S20-1	9
MQFL-28E-2R5S	(2)C20-006-06-01-XXX-R27-L14	433E	285E	.040	S20-1	9
MQFL-28-3R3S	(2)C20-006-06-01-XXX-R27-L14	433E	285E	.040	S20-1	9
MQFL-28-7R5S	(2)C20-006-06-01-XXX-R27-L14	433E	285E	.040	S20-1	9
MQFL-28E-05D	(2)C20-006-06-01-XXX-R27-L14	433E	285E	.040	S20-1	9
MQFL-28E-05S	(2)C20-006-06-01-XXX-R27-L14	433E	285E	.040	S20-1	9
MQFL-28E-06S	(2)C20-006-06-01-XXX-R27-L14	433E	285E	.040	S20-1	9
MQFL-28E-09S	(2)C20-006-06-01-XXX-R27-L14	433E	285E	.040	S20-1	9
MQFL-28E-12D	(2)C20-006-06-01-XXX-R27-L14	433E	285E	.040	S20-1	9
MQFL-28E-12S	(2)C20-006-06-01-XXX-R27-L14	433E	285E	.040	S20-1	9
MQFL-28E-15D	(2)C20-006-06-01-XXX-R27-L14	433E	285E	.040	S20-1	9
MQFL-28E-15S	(2)C20-006-06-01-XXX-R27-L14	433E	285E	.040	S20-1	9
MQFL-28E-28S	(2)C20-006-06-01-XXX-R27-L14	433E	285E	.040	S20-1	9
MQFL-28E-1R5S	(2)C20-006-06-01-XXX-R27-L14	433E	285E	.040	S20-1	9
MQFL-28E-1R8S	(2)C20-006-06-01-XXX-R27-L14	433E	285E	.040	S20-1	9
MQFL-28E-3R3S	(2)C20-006-06-01-XXX-R27-L14	433E	285E	.040	S20-1	9
MQFL-28E-7R5S	(2)C20-006-06-01-XXX-R27-L14	433E	285E	.040	S20-1	9
MQFL-28V-05S	(2)C20-006-06-01-XXX-R27-L14	433E	285E	.040	S20-1	9
MQFL-28V-06S	(2)C20-006-06-01-XXX-R27-L14	433E	285E	.040	S20-1	9
MQFL-28V-09S	(2)C20-006-06-01-XXX-R27-L14	433E	285E	.040	S20-1	9
MQFL-28V-12S	(2)C20-006-06-01-XXX-R27-L14	433E	285E	.040	S20-1	9
MQFL-28V-15S	(2)C20-006-06-01-XXX-R27-L14	433E	285E	.040	S20-1	9
MQFL-28V-28S	(2)C20-006-06-01-XXX-R27-L14	433E	285E	.040	S20-1	9
MQFL-28V-1R5S	(2)C20-006-06-01-XXX-R27-L14	433E	285E	.040	S20-1	9
MQFL-28V-1R8S	(2)C20-006-06-01-XXX-R27-L14	433E	285E	.040	S20-1	9
MQFL-28V-2R5S	(2)C20-006-06-01-XXX-R27-L14	433E	285E	.040	S20-1	9
MQFL-28V-3R3S	(2)C20-006-06-01-XXX-R27-L14	433E	285E	.040	S20-1	9
MQFL-28V-7R5S	(2)C20-006-06-01-XXX-R27-L14	433E	285E	.040	S20-1	9
MQFL-28VE-05S	(2)C20-006-06-01-XXX-R27-L14	433E	285E	.040	S20-1	9
MQFL-28VE-06S	(2)C20-006-06-01-XXX-R27-L14	433E	285E	.040	S20-1	9
MQFL-28VE-09S	(2)C20-006-06-01-XXX-R27-L14	433E	285E	.040	S20-1	9
MQFL-28VE-12S	(2)C20-006-06-01-XXX-R27-L14	433E	285E	.040	S20-1	9
MQFL-28VE-15S	(2)C20-006-06-01-XXX-R27-L14	433E	285E	.040	S20-1	9
MQFL-28VE-28S	(2)C20-006-06-01-XXX-R27-L14	433E	285E	.040	S20-1	9
MQFL-28VE-1R5S	(2)C20-006-06-01-XXX-R27-L14	433E	285E	.040	S20-1	9
MQFL-28VE-1R8S	(2)C20-006-06-01-XXX-R27-L14	433E	285E	.040	S20-1	9
MQFL-28VE-2R5S	(2)C20-006-06-01-XXX-R27-L14	433E	285E	.040	S20-1	9
MQFL-28VE-3R3S	(2)C20-006-06-01-XXX-R27-L14	433E	285E	.040	S20-1	9
MQFL-28VE-7R5S	(2)C20-006-06-01-XXX-R27-L14	433E	285E	.040	S20-1	9
MQFL-270-05D	(2)C20-006-06-01-XXX-R27-L14	433E	285E	.040	S20-1	9
MQFL-270-05S	(2)C20-006-06-01-XXX-R27-L14	433E	285E	.040	S20-1	9

\* FOR ULTRA LOW PROFILE THRU-HOLE ADD "9" IN FRONT OF SURFACE MOUNT PART NUMBER

9-CSPXXX-XX-XX-XXX-R27-L14

SURFACE MOUNT TERMINAL

©Copyright 2011 Andon Electronics Corporation. All Rights Reserved. This material is protected under US and other copyrights and may not be copied, sold, or redistributed in any form without written permission of Andon Electronics Corporation. Copyrights and trademarks are property of their respective companies. We reserve the right to change specifications without notice. Andon makes no warranty, expressed or implied, as to the suitability of the sockets for the intended purpose.

**"ANDON PROPRIETARY INFORMATION"**  
**RoHS Compliant**

\*Sockets are not drawn to scale SynQor 11/29/2011

SynQor Continued						
SynQor Model Number	Andon Part Number Replace "XXX" with Terminal Type	Terminal Type		Pin Ø [in]	Figure Number	Page Number
		Thru-Hole	Surface Mount			
MQFL-270-06S	(2)C20-006-06-01-XXX-R27-L14	433E	285E	.040	S20-1	9
MQFL-270-09S	(2)C20-006-06-01-XXX-R27-L14	433E	285E	.040	S20-1	9
MQFL-270-12D	(2)C20-006-06-01-XXX-R27-L14	433E	285E	.040	S20-1	9
MQFL-270-12S	(2)C20-006-06-01-XXX-R27-L14	433E	285E	.040	S20-1	9
MQFL-270-15S	(2)C20-006-06-01-XXX-R27-L14	433E	285E	.040	S20-1	9
MQFL-270-28S	(2)C20-006-06-01-XXX-R27-L14	433E	285E	.040	S20-1	9
MQFL-270-3R3S	(2)C20-006-06-01-XXX-R27-L14	433E	285E	.040	S20-1	9
MQHE-28E-P	(2)C20-006-06-01-XXX-R27-L14	433E	285E	.040	S20-1	9
MQHE-28-P	(2)C20-006-06-01-XXX-R27-L14	433E	285E	.040	S20-1	9
MQHL-28-05D	(2)C20-006-06-01-XXX-R27-L14	433E	285E	.040	S20-1	9
MQHL-28-05S	(2)C20-006-06-01-XXX-R27-L14	433E	285E	.040	S20-1	9
MQHL-28-06S	(2)C20-006-06-01-XXX-R27-L14	433E	285E	.040	S20-1	9
MQHL-28-09S	(2)C20-006-06-01-XXX-R27-L14	433E	285E	.040	S20-1	9
MQHL-28-12S	(2)C20-006-06-01-XXX-R27-L14	433E	285E	.040	S20-1	9
MQHL-28-15D	(2)C20-006-06-01-XXX-R27-L14	433E	285E	.040	S20-1	9
MQHL-28-15S	(2)C20-006-06-01-XXX-R27-L14	433E	285E	.040	S20-1	9
MQHL-28-28S	(2)C20-006-06-01-XXX-R27-L14	433E	285E	.040	S20-1	9
MQHL-28-3R3S	(2)C20-006-06-01-XXX-R27-L14	433E	285E	.040	S20-1	9
MQHL-28-7R5S	(2)C20-006-06-01-XXX-R27-L14	433E	285E	.040	S20-1	9
MQHL-28E-05D	(2)C20-006-06-01-XXX-R27-L14	433E	285E	.040	S20-1	9
MQHL-28E-05S	(2)C20-006-06-01-XXX-R27-L14	433E	285E	.040	S20-1	9
MQHL-28E-12S	(2)C20-006-06-01-XXX-R27-L14	433E	285E	.040	S20-1	9
MQHL-28E-28S	(2)C20-006-06-01-XXX-R27-L14	433E	285E	.040	S20-1	9
MQHL-28E-2R5S	(2)C20-006-06-01-XXX-R27-L14	433E	285E	.040	S20-1	9
MQHR-28-05D	(2)C20-006-06-01-XXX-R27-L14	433E	285E	.040	S20-1	9
MQHR-28-05S	(2)C20-006-06-01-XXX-R27-L14	433E	285E	.040	S20-1	9
MQHR-28-12S	(2)C20-006-06-01-XXX-R27-L14	433E	285E	.040	S20-1	9
MQHR-28-15S	(2)C20-006-06-01-XXX-R27-L14	433E	285E	.040	S20-1	9
MQHR-28-28S	(2)C20-006-06-01-XXX-R27-L14	433E	285E	.040	S20-1	9
MQHR-28-3R3S	(2)C20-006-06-01-XXX-R27-L14	433E	285E	.040	S20-1	9
MQHR-28E-12S	(2)C20-006-06-01-XXX-R27-L14	433E	285E	.040	S20-1	9
MQME-28-P	(2)C20-006-06-01-XXX-R27-L14	433E	285E	.040	S20-1	9
MQME-28-T	(2)C20-006-06-01-XXX-R27-L14	433E	285E	.040	S20-1	9
MQME-270-P	(2)C20-006-06-01-XXX-R27-L14	433E	285E	.040	S20-1	9
MQME-28E-P	(2)C20-006-06-01-XXX-R27-L14	433E	285E	.040	S20-1	9
MQME-28E-T	(2)C20-006-06-01-XXX-R27-L14	433E	285E	.040	S20-1	9
NQ16W50xMA16	C10-20-12-01-XXX-R27-L14	441V	442V	.030	S10-1	8
PQ24018QGA25	CSP2000-08-01-XXX-R27-L14	502EP55	503EP55	.040/.062	20-3	12
PQ24033QGA25	CSP2000-08-01-XXX-R27-L14	502EP55	503EP55	.040/.062	20-3	12
PQ24033QGL25	CSP2000-08-01-XXX-R27-L14	502EP55	503EP55	.040/.062	20-3	12
PQ24050QGA20	CSP2000-08-01-XXX-R27-L14	502EP55	503EP55	.040/.062	20-3	12
PQ24120QGA08	CSP2000-08-01-XXX-R27-L14	502EP55	503EP55	.040/.062	20-3	12
PQ24150QGA07	CSP2000-08-01-XXX-R27-L14	502EP55	503EP55	.040/.062	20-3	12
PQ24280FTx22	CSP4200-18-01-XXX-R27-L14	507EP72	508EP72	.040/.080	42-1	13
PQ30033EGA20	CSP2000-08-01-XXX-R27-L14	502EP55	503EP55	.040/.062	20-3	12
PQ30033QGA25	CSP2000-08-01-XXX-R27-L14	502EP55	503EP55	.040/.062	20-3	12
PQ30033QGA30	CSP2000-08-01-XXX-R27-L14	502EP55	503EP55	.040/.062	20-3	12
PQ40033QGA25	CSP2000-08-01-XXX-R27-L14	502EP55	503EP55	.040/.062	20-3	12
PQ40080QGA09	CSP2000-08-01-XXX-R27-L14	502EP55	503EP55	.040/.062	20-3	12
PQ40120QGA08	CSP2000-08-01-XXX-R27-L14	502EP55	503EP55	.040/.062	20-3	12
PQ40150QGA07	CSP2000-08-01-XXX-R27-L14	502EP55	503EP55	.040/.062	20-3	12
PQ48015HGA40	CSP1900-12-01-XXX-R27-L14	507EP72	508EP72	.040/.080	19-4	10
PQ48015HKA20	CSP1900-12-01-XXX-R27-L14	507EP72	508EP72	.040/.080	19-4	10
PQ48015HMA30	CSP1900-12-01-XXX-R27-L14	507EP72	508EP72	.040/.080	19-4	10
PQ48015HTA60	CSP1900-12-01-XXX-R27-L14	507EP72	508EP72	.040/.080	19-4	10
PQ48015QGA25	CSP2000-08-01-XXX-R27-L14	502EP55	503EP55	.040/.080	20-3	12

\* FOR ULTRA LOW PROFILE THRU-HOLE ADD "9"  
IN FRONT OF SURFACE MOUNT PART NUMBER

9-CSPXXX-XX-XX-XXX-R27-L14

SURFACE MOUNT TERMINAL

©Copyright 2011 Andon Electronics Corporation. All Rights Reserved. This material is protected under US and other copyrights and may not be copied, sold, or redistributed in any form without written permission of Andon Electronics Corporation. Copyrights and trademarks are property of their respective companies. We reserve the right to change specifications without notice. Andon makes no warranty, expressed or implied, as to the suitability of the sockets for the intended purpose.

**"ANDON PROPRIETARY INFORMATION"**  
**RoHS Compliant**

\*Sockets are not drawn to scale SynQor 11/29/2011

SynQor Continued						
SynQor Model Number	Andon Part Number Replace "XXX" with Terminal Type	Terminal Type		Pin Ø [in]	Figure Number	Page Number
		Thru-Hole	Surface Mount			
PQ48015QNA25	CSP2000-08-01-XXX-R27-L14	502EP55	503EP55	.040/.062	20-3	12
PQ48018HGA40	CSP1900-12-01-XXX-R27-L14	507EP72	508EP72	.040/.080	19-4	10
PQ48018HKA20	CSP1900-12-01-XXX-R27-L14	507EP72	508EP72	.040/.080	19-4	10
PQ48018HMA30	CSP1900-12-01-XXX-R27-L14	507EP72	508EP72	.040/.080	19-4	10
PQ48018HTA60	CSP1900-12-01-XXX-R27-L14	507EP72	508EP72	.040/.080	19-4	10
PQ48018QGA25	CSP2000-08-01-XXX-R27-L14	502EP55	503EP55	.040/.062	20-3	12
PQ48018QNA25	CSP2000-08-01-XXX-R27-L14	502EP55	503EP55	.040/.062	20-3	12
PQ48020HGA40	CSP1900-12-01-XXX-R27-L14	507EP72	508EP72	.040/.080	19-4	10
PQ48020HKA20	CSP1900-12-01-XXX-R27-L14	507EP72	508EP72	.040/.080	19-4	10
PQ48020HMA30	CSP1900-12-01-XXX-R27-L14	507EP72	508EP72	.040/.080	19-4	10
PQ48020HTA60	CSP1900-12-01-XXX-R27-L14	507EP72	508EP72	.040/.080	19-4	10
PQ48020QGA25	CSP2000-08-01-XXX-R27-L14	502EP55	503EP55	.040/.062	20-3	12
PQ48020QNA25	CSP2000-08-01-XXX-R27-L14	502EP55	503EP55	.040/.062	20-3	12
PQ48025HGA40	CSP1900-12-01-XXX-R27-L14	507EP72	508EP72	.040/.080	19-4	10
PQ48025HKA20	CSP1900-12-01-XXX-R27-L14	507EP72	508EP72	.040/.080	19-4	10
PQ48025HMA30	CSP1900-12-01-XXX-R27-L14	507EP72	508EP72	.040/.080	19-4	10
PQ48025HTA60	CSP1900-12-01-XXX-R27-L14	507EP72	508EP72	.040/.080	19-4	10
PQ48025QGA25	CSP2000-08-01-XXX-R27-L14	502EP55	503EP55	.040/.062	20-3	12
PQ48025QNA25	CSP2000-08-01-XXX-R27-L14	502EP55	503EP55	.040/.062	20-3	12
PQ48033HKA20	CSP1900-12-01-XXX-R27-L14	507EP72	508EP72	.040/.080	19-4	10
PQ48033HTA38	CSP1900-12-01-XXX-R27-L14	507EP72	508EP72	.040/.080	19-4	10
PQ48033QGA25	CSP2000-08-01-XXX-R27-L14	502EP55	503EP55	.040/.062	20-3	12
PQ48033QNA25	CSP2000-08-01-XXX-R27-L14	502EP55	503EP55	.040/.062	20-3	12
PQ48050HKA20	CSP1900-12-01-XXX-R27-L14	507EP72	508EP72	.040/.080	19-4	10
PQ48050HMA25	CSP1900-12-01-XXX-R27-L14	507EP72	508EP72	.040/.080	19-4	10
PQ48050QGA20	CSP2000-08-01-XXX-R27-L14	502EP55	503EP55	.040/.062	20-3	12
PQ48050QNA20	CSP2000-08-01-XXX-R27-L14	502EP55	503EP55	.040/.062	20-3	12
PQ48053HTA30	CSP1900-12-01-XXX-R27-L14	507EP72	508EP72	.040/.080	19-4	10
PQ48060QGA17	CSP2000-08-01-XXX-R27-L14	502EP55	503EP55	.040/.062	20-3	12
PQ48060QNA17	CSP2000-08-01-XXX-R27-L14	502EP55	503EP55	.040/.062	20-3	12
PQ48120HGA12	CSP1900-12-01-XXX-R27-L14	507EP72	508EP72	.040/.080	19-4	10
PQ48120QGA08	CSP2000-08-01-XXX-R27-L14	502EP55	503EP55	.040/.062	20-3	12
PQ48120QNA08	CSP2000-08-01-XXX-R27-L14	502EP55	503EP55	.040/.062	20-3	12
PQ48150HGA10	CSP1900-12-01-XXX-R27-L14	507EP72	508EP72	.040/.080	19-4	10
PQ48150HTA11	CSP1900-12-01-XXX-R27-L14	507EP72	508EP72	.040/.080	19-4	10
PQ48150QGA07	CSP2000-08-01-XXX-R27-L14	502EP55	503EP55	.040/.062	20-3	12
PQ48150QNA07	CSP2000-08-01-XXX-R27-L14	502EP55	503EP55	.040/.062	20-3	12
PQ50050HPB50	CSP1900-08-02-XXX-R27-L14	507EP72	508EP72	.040/.080	19-2	9
PQ50073HZB60	CSP1900-09-01-XXX-R27-L14	507EP72	508EP72	.040/.080	19-5	10
PQ50090QGB11	CSP2000-08-01-XXX-R27-L14	502EP55	503EP55	.040/.062	20-3	12
PQ50180HTB10	CSP1900-12-01-XXX-R27-L14	507EP72	508EP72	.040/.080	19-4	10
PQ55530HEB08	CSP1900-08-02-XXX-R27-L14	507EP72	508EP72	.040/.080	19-2	9
PQ55540HTL05	CSP1900-08-02-XXX-R27-L14	507EP72	508EP72	.040/.080	19-2	9
PQ60010EGL20	CSP2000-08-01-XXX-R27-L14	502EP55	503EP55	.040/.062	20-3	12
PQ60010EGL25	CSP2000-08-01-XXX-R27-L14	502EP55	503EP55	.040/.062	20-3	12
PQ60010EML15	CSP2000-08-01-XXX-R27-L14	502EP55	503EP55	.040/.062	20-3	12
PQ60010QPA60	CSP2000-10-01-XXX-R27-L14	502EP55	503EP55	.040/.062	20-2	11
PQ60010QTA40	CSP2000-08-01-XXX-R27-L14	502EP55	503EP55	.040/.062	20-3	12
PQ60012EGL20	CSP2000-08-01-XXX-R27-L14	502EP55	503EP55	.040/.062	20-3	12
PQ60012EGL25	CSP2000-08-01-XXX-R27-L14	502EP55	503EP55	.040/.062	20-3	12
PQ60012EKx30	CSP2000-08-01-XXX-R27-L14	502EP55	503EP55	.040/.062	20-3	12
PQ60012EML15	CSP2000-08-01-XXX-R27-L14	502EP55	503EP55	.040/.062	20-3	12
PQ60012HPAA0	CSP1900-13-01-XXX-R27-L14	507EP72	508EP72	.040/.080	19-7	11
PQ60012HTA60	CSP1900-12-01-XXX-R27-L14	507EP72	508EP72	.040/.080	19-4	10
PQ60012QPA60	CSP2000-10-01-XXX-R27-L14	502EP55	503EP55	.040/.062	20-2	11
PQ60012QTA40	CSP2000-08-01-XXX-R27-L14	502EP55	503EP55	.040/.062	20-3	12

\* FOR ULTRA LOW PROFILE THRU-HOLE ADD "9-"  
IN FRONT OF SURFACE MOUNT PART NUMBER

9-CSPXXX-XX-XX-XXX-R27-L14

SURFACE MOUNT TERMINAL

©Copyright 2011 Andon Electronics Corporation. All Rights Reserved. This material is protected under US and other copyrights and may not be copied, sold, or redistributed in any form without written permission of Andon Electronics Corporation. Copyrights and trademarks are property of their respective companies. We reserve the right to change specifications without notice. Andon makes no warranty, expressed or implied, as to the suitability of the sockets for the intended purpose.

**"ANDON PROPRIETARY INFORMATION"**  
**RoHS Compliant**

\*Sockets are not drawn to scale SynQor 11/29/2011

SynQor Continued						
SynQor Model Number	Andon Part Number Replace "XXX" with Terminal Type	Terminal Type		Pin Ø [in]	Figure Number	Page Number
		Thru-Hole	Surface Mount			
PQ60012SMx25	CSP1100-08-01-XXX-R27-L14	502EP55	503EP55	.040/.062	11-1	9
PQ60015EGL20	CSP2000-08-01-XXX-R27-L14	502EP55	503EP55	.040/.062	20-3	12
PQ60015EGL25	CSP2000-08-01-XXX-R27-L14	502EP55	503EP55	.040/.062	20-3	12
PQ60015EKx25	CSP2000-08-01-XXX-R27-L14	502EP55	503EP55	.040/.062	20-3	12
PQ60015EML15	CSP2000-08-01-XXX-R27-L14	502EP55	503EP55	.040/.062	20-3	12
PQ60015ETL45	CSP2000-08-01-XXX-R27-L14	502EP55	503EP55	.040/.062	20-3	12
PQ60015HPAA0	CSP1900-13-01-XXX-R27-L14	507EP72	508EP72	.040/.080	19-7	11
PQ60015HTA60	CSP1900-12-01-XXX-R27-L14	507EP72	508EP72	.040/.080	19-4	10
PQ60015QGA25	CSP2000-08-01-XXX-R27-L14	502EP55	503EP55	.040/.062	20-3	12
PQ60015QML15	CSP2000-08-01-XXX-R27-L14	502EP55	503EP55	.040/.062	20-3	12
PQ60015QPA60	CSP2000-10-01-XXX-R27-L14	502EP55	503EP55	.040/.062	20-2	11
PQ60015QTA40	CSP2000-08-01-XXX-R27-L14	502EP55	503EP55	.040/.062	20-3	12
PQ60015SMx25	CSP1100-08-01-XXX-R27-L14	502EP55	503EP55	.040/.062	11-1	9
PQ60016QTA40	CSP2000-08-01-XXX-R27-L14	502EP55	503EP55	.040/.062	20-3	12
PQ60018EGL20	CSP2000-08-01-XXX-R27-L14	502EP55	503EP55	.040/.062	20-3	12
PQ60018EGL25	CSP2000-08-01-XXX-R27-L14	502EP55	503EP55	.040/.062	20-3	12
PQ60018EKx25	CSP2000-08-01-XXX-R27-L14	502EP55	503EP55	.040/.062	20-3	12
PQ60018EML15	CSP2000-08-01-XXX-R27-L14	502EP55	503EP55	.040/.062	20-3	12
PQ60018ETL45	CSP2000-08-01-XXX-R27-L14	502EP55	503EP55	.040/.062	20-3	12
PQ60018ETx45	CSP2000-08-01-XXX-R27-L14	502EP55	503EP55	.040/.062	20-3	12
PQ60018HPA80	CSP1900-13-01-XXX-R27-L14	507EP72	508EP72	.040/.080	19-7	11
PQ60018HPAA0	CSP1900-13-01-XXX-R27-L14	507EP72	508EP72	.040/.080	19-7	11
PQ60018QGA25	CSP2000-08-01-XXX-R27-L14	502EP55	503EP55	.040/.062	20-3	12
PQ60018QML15	CSP2000-08-01-XXX-R27-L14	502EP55	503EP55	.040/.062	20-3	12
PQ60018QPA60	CSP2000-10-01-XXX-R27-L14	502EP55	503EP55	.040/.062	20-2	11
PQ60018QTA40	CSP2000-08-01-XXX-R27-L14	502EP55	503EP55	.040/.062	20-3	12
PQ60018SMx25	CSP1100-08-01-XXX-R27-L14	502EP55	503EP55	.040/.062	11-1	9
PQ60025EGL20	CSP2000-08-01-XXX-R27-L14	502EP55	503EP55	.040/.062	20-3	12
PQ60025EKx20	CSP2000-08-01-XXX-R27-L14	502EP55	503EP55	.040/.062	20-3	12
PQ60025EML15	CSP2000-08-01-XXX-R27-L14	502EP55	503EP55	.040/.062	20-3	12
PQ60025HPA80	CSP1900-10-02-XXX-R27-L14	507EP72	508EP72	.040/.080	19-6	11
PQ60025ETL35	CSP2000-08-01-XXX-R27-L14	502EP55	503EP55	.040/.062	20-3	12
PQ60025QGA25	CSP2000-08-01-XXX-R27-L14	502EP55	503EP55	.040/.062	20-3	12
PQ60025QML15	CSP2000-08-01-XXX-R27-L14	502EP55	503EP55	.040/.062	20-3	12
PQ60025QPA60	CSP2000-10-01-XXX-R27-L14	502EP55	503EP55	.040/.062	20-2	11
PQ60025QTA40	CSP2000-08-01-XXX-R27-L14	502EP55	503EP55	.040/.062	20-3	12
PQ60025SMx20	CSP1100-08-01-XXX-R27-L14	502EP55	503EP55	.040/.062	11-1	9
PQ60033EGx20	CSP2000-08-01-XXX-R27-L14	502EP55	503EP55	.040/.062	20-3	12
PQ60033EKx15	CSP2000-08-01-XXX-R27-L14	502EP55	503EP55	.040/.062	20-3	12
PQ60033EML15	CSP2000-08-01-XXX-R27-L14	502EP55	503EP55	.040/.062	20-3	12
PQ60033ETL30	CSP2000-08-01-XXX-R27-L14	502EP55	503EP55	.040/.062	20-3	12
PQ60033HGA40	CSP1900-12-01-XXX-R27-L14	507EP72	508EP72	.040/.080	19-4	10
PQ60033HMA30	CSP1900-12-01-XXX-R27-L14	507EP72	508EP72	.040/.080	19-4	10
PQ60033HPA70	CSP1900-10-02-XXX-R27-L14	507EP72	508EP72	.040/.080	19-6	11
PQ60033HTA50	CSP1900-10-02-XXX-R27-L14	507EP72	508EP72	.040/.080	19-6	11
PQ60033QGA25	CSP2000-08-01-XXX-R27-L14	502EP55	503EP55	.040/.062	20-3	12
PQ60033QML15	CSP2000-08-01-XXX-R27-L14	502EP55	503EP55	.040/.062	20-3	12
PQ60033QPA45	CSP2000-10-01-XXX-R27-L14	502EP55	503EP55	.040/.062	20-2	11
PQ60033QTA35	CSP2000-08-01-XXX-R27-L14	502EP55	503EP55	.040/.062	20-3	12
PQ60033SMx15	CSP1100-08-01-XXX-R27-L14	502EP55	503EP55	.040/.062	11-1	9
PQ60050EGL15	CSP2000-08-01-XXX-R27-L14	502EP55	503EP55	.040/.062	20-3	12
PQ60050EKx10	CSP2000-08-01-XXX-R27-L14	502EP55	503EP55	.040/.062	20-3	12
PQ60050EML15	CSP2000-08-01-XXX-R27-L14	502EP55	503EP55	.040/.062	20-3	12
PQ60050HGA30	CSP1900-12-01-XXX-R27-L14	507EP72	508EP72	.040/.080	19-4	10
PQ60050HPA45	CSP1900-08-02-XXX-R27-L14	507EP72	508EP72	.040/.080	19-2	9
PQ60050HTA33	CSP1900-12-01-XXX-R27-L14	507EP72	508EP72	.040/.080	19-4	10

\* FOR ULTRA LOW PROFILE THRU-HOLE ADD "9-"  
IN FRONT OF SURFACE MOUNT PART NUMBER

9-CSPXXX-XX-XX-XXX-R27-L14

SURFACE MOUNT TERMINAL

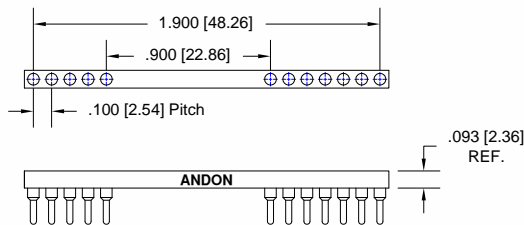
©Copyright 2011 Andon Electronics Corporation. All Rights Reserved. This material is protected under US and other copyrights and may not be copied, sold, or redistributed in any form without written permission of Andon Electronics Corporation. Copyrights and trademarks are property of their respective companies. We reserve the right to change specifications without notice. Andon makes no warranty, expressed or implied, as to the suitability of the sockets for the intended purpose.

**"ANDON PROPRIETARY INFORMATION"**  
**RoHS Compliant**

\*Sockets are not drawn to scale SynQor 11/29/2011

SynQor Continued						
SynQor Model Number	Andon Part Number Replace "XXX" with Terminal Type	Terminal Type		Pin Ø [in]	Figure Number	Page Number
		Thru-Hole	Surface Mount			
PQ60050HZx60	CSP1900-08-02-XXX-R27-L14	507EP72	508EP72	.040/.080	19-2	9
PQ60050QGA20	CSP2000-08-01-XXX-R27-L14	502EP55	503EP55	.040/.062	20-3	12
PQ60050QML15	CSP2000-08-01-XXX-R27-L14	502EP55	503EP55	.040/.062	20-3	12
PQ60050QTA30	CSP2000-08-01-XXX-R27-L14	502EP55	503EP55	.040/.062	20-3	12
PQ60050SGL12	CSP1100-08-01-XXX-R27-L14	502EP55	503EP55	.040/.062	11-1	9
PQ60050SMx10	CSP1100-08-01-XXX-R27-L14	502EP55	503EP55	.040/.062	11-1	9
PQ60060QGA17	CSP2000-08-01-XXX-R27-L14	502EP55	503EP55	.040/.062	20-3	12
PQ60120EGL07	CSP2000-08-01-XXX-R27-L14	502EP55	503EP55	.040/.062	20-3	12
PQ60120EKx04	CSP2000-08-01-XXX-R27-L14	502EP55	503EP55	.040/.062	20-3	12
PQ60120EML04	CSP2000-08-01-XXX-R27-L14	502EP55	503EP55	.040/.062	20-3	12
PQ60120HPA20	CSP1900-08-02-XXX-R27-L14	507EP72	508EP72	.040/.080	19-2	9
PQ60120HTA14	CSP1900-12-01-XXX-R27-L14	507EP72	508EP72	.040/.080	19-4	10
PQ60120HZx50	CSP1900-09-01-XXX-R27-L14	507EP72	508EP72	.040/.080	19-5	10
PQ60120QEA17	CSP2000-08-01-XXX-R27-L14	502EP55	503EP55	.040/.062	20-3	12
PQ60120QEA25	CSP2000-08-01-XXX-R27-L14	502EP55	503EP55	.040/.062	20-3	12
PQ60120QGA08	CSP1900-12-01-XXX-R27-L14	507EP72	508EP72	.040/.080	19-4	10
PQ60120QTA12	CSP2000-08-01-XXX-R27-L14	502EP55	503EP55	.040/.062	20-3	12
PQ60120QZB33	CSP2000-08-01-XXX-R27-L14	502EP55	503EP55	.040/.062	20-3	12
PQ60120SMx04	CSP1100-08-01-XXX-R27-L14	502EP55	503EP55	.040/.062	11-1	9
PQ60150EGL05	CSP2000-08-01-XXX-R27-L14	502EP55	503EP55	.040/.062	20-3	12
PQ60150EKx03	CSP2000-08-01-XXX-R27-L14	502EP55	503EP55	.040/.062	20-3	12
PQ60150HZx40	CSP1900-08-02-XXX-R27-L14	507EP72	508EP72	.040/.080	19-2	9
PQ60150SMx03	CSP1100-08-01-XXX-R27-L14	502EP55	503EP55	.040/.062	11-1	9
PQ60180HTA09	CSP1900-12-01-XXX-R27-L14	507EP72	508EP72	.040/.080	19-4	10
PQ60240EGL03	CSP2000-08-01-XXX-R27-L14	502EP55	503EP55	.040/.062	20-3	12
PQ60240HZx25	CSP1900-08-02-XXX-R27-L14	507EP72	508EP72	.040/.080	19-2	9
PQ60240QGA05	CSP2000-08-01-XXX-R27-L14	502EP55	503EP55	.040/.062	20-3	12
PQ60260HTB10	CSP1900-11-01-XXX-R27-L14	507EP72	508EP72	.040/.080	19-3	10
PQ60280FTx26	CSP4200-18-01-XXX-R27-L14	507EP72	508EP72	.040/.080	42-1	13
PQ60280HEA13	CSP1900-08-02-XXX-R27-L14	507EP72	508EP72	.040/.080	19-2	9
PQ60280HZx21	CSP1900-08-02-XXX-R27-L14	507EP72	508EP72	.040/.080	19-2	9
PQ60400HZx15	CSP1900-08-02-XXX-R27-L14	507EP72	508EP72	.040/.080	19-2	9
PQ60480QTA03	CSP2000-08-01-XXX-R27-L14	502EP55	503EP55	.040/.062	20-3	12
PQ60500HZx12	CSP1900-08-02-XXX-R27-L14	507EP72	508EP72	.040/.080	19-2	9
PQ60525HTA04	CSP1900-11-01-XXX-R27-L14	507EP72	508EP72	.040/.080	19-3	10
PQ65180QGA06	CSP2000-08-01-XXX-R27-L14	502EP55	503EP55	.040/.062	20-3	12

## Top View Shown Units: in [mm]



**Fig. S10-1**

Thru-Hole: C10-20-12-01-441V-R27-L14  
Surface Mount: C10-20-12-01-442V-R27-L14

\* FOR ULTRA LOW PROFILE THRU-HOLE ADD "9-"  
IN FRONT OF SURFACE MOUNT PART NUMBER  
9-CSPXXX-XX-XX-XXX-R27-L14

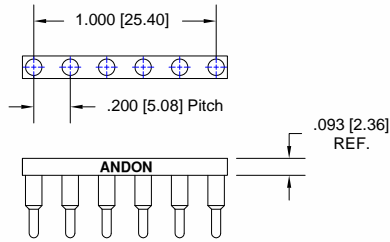
SURFACE MOUNT TERMINAL  
**"ANDON PROPRIETARY INFORMATION"**  
RoHS Compliant

\*Sockets are not drawn to scale SynQor 11/29/2011

©Copyright 2011 Andon Electronics Corporation. All Rights Reserved. This material is protected under US and other copyrights and may not be copied, sold, or redistributed in any form without written permission of Andon Electronics Corporation. Copyrights and trademarks are property of their respective companies. We reserve the right to change specifications without notice. Andon makes no warranty, expressed or implied, as to the suitability of the sockets for the intended purpose.

**SynQor Continued**  
**Top View Shown**  
**Units: in [mm]**

[Back to Index Page](#)



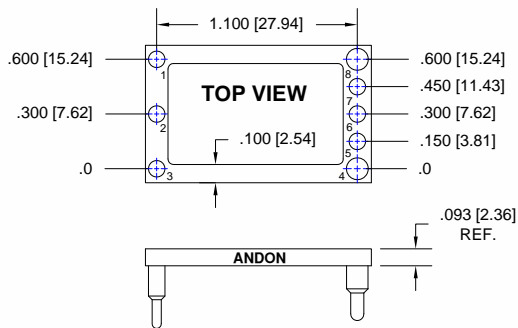
**Fig. S20-1**

**Thru-Hole:** (2) C20-006-06-01-433E-R27-L14  
**Surface Mount:** (2) C20-006-06-01-285E-R27-L14



\* FOR ULTRA LOW PROFILE THRU-HOLE ADD "9-"  
IN FRONT OF SURFACE MOUNT PART NUMBER  
9-CSPXXX-XX-XX-XXX-R27-L14

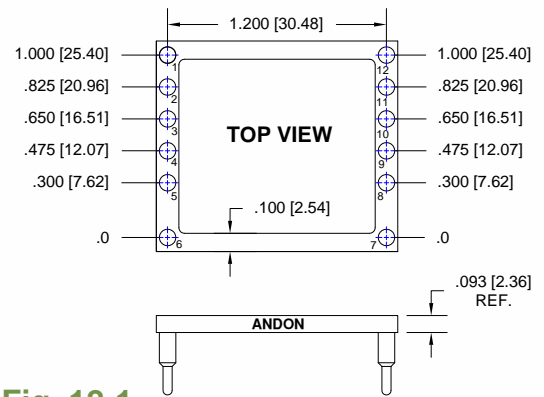
SURFACE MOUNT TERMINAL



**Fig. 11-1**

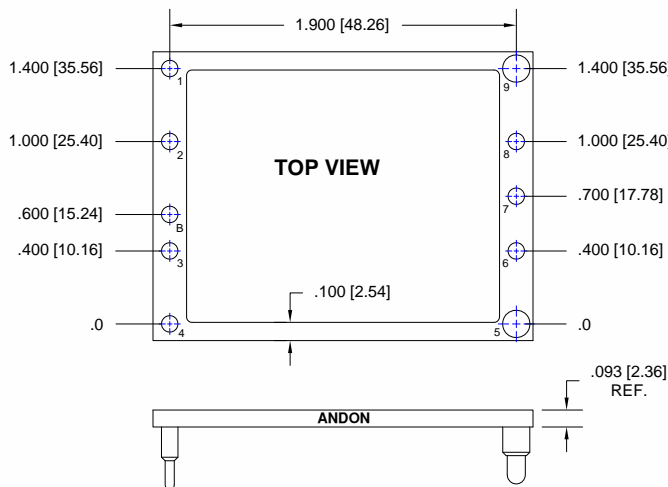
Pins 1-3, 5-7 are  $\varnothing.040$  [ $\varnothing1.02$ ]  
Pins 4 and 8 are  $\varnothing.062$  [ $\varnothing1.57$ ]

**Thru-Hole:** CSP1100-08-01-502EP55-R27-L14  
**Surface Mount:** CSP1100-08-01-503EP55-R27-L14



**Fig. 12-1**

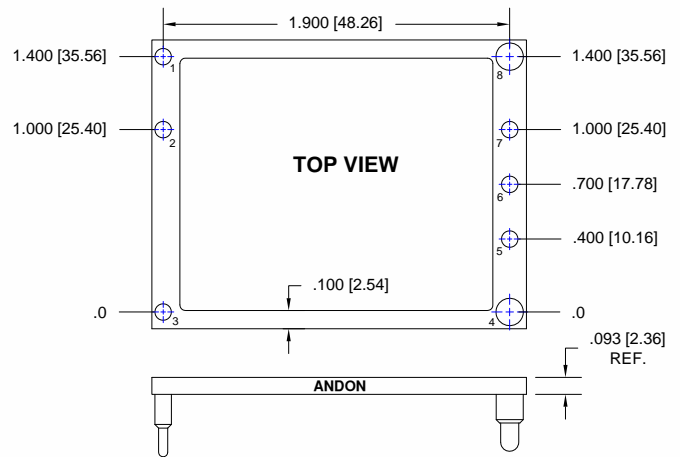
**Thru-Hole:** CSP1200-12-01-433E-R27-L14  
**Surface Mount:** CSP1200-12-01-285E-R27-L14



**Fig. 19-1**

Pins 1-4, 6-8, and B are  $\varnothing.040$  [ $\varnothing1.02$ ]  
Pins 5 and 9 are  $\varnothing.080$  [ $\varnothing2.03$ ]

**Thru-Hole:** CSP1900-10-01-507EP72-R27-L14  
**Surface Mount:** CSP1900-10-01-508EP72-R27-L14



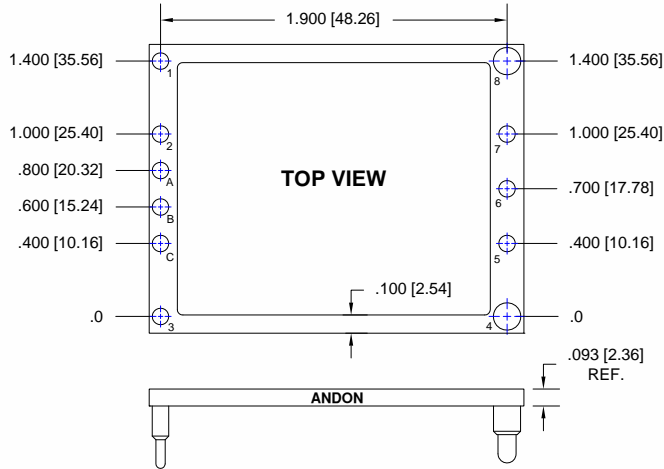
**Fig. 19-2**

Pins 1-3, 5-7 are  $\varnothing.040$  [ $\varnothing1.02$ ]  
Pins 4 and 8 are  $\varnothing.080$  [ $\varnothing2.03$ ]

**Thru-Hole:** CSP1900-08-02-507EP72-R27-L14  
**Surface Mount:** CSP1900-08-02-508EP72-R27-L14

**SynQor Continued**  
**Top View Shown**  
**Units: in [mm]**

[Back to Index Page](#)



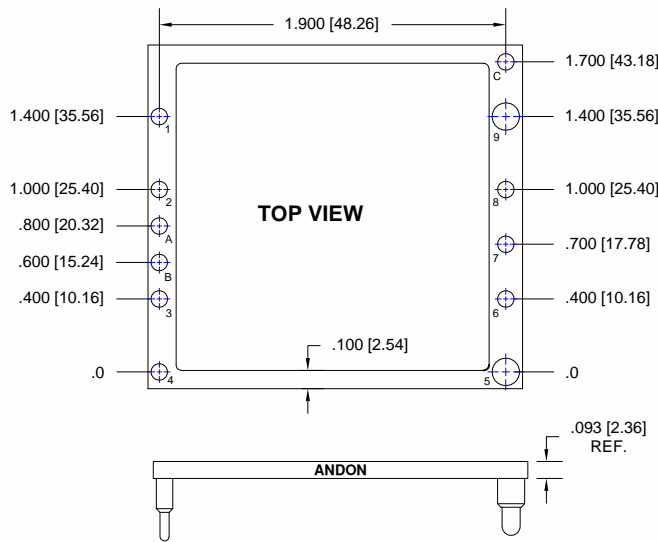
**Fig. 19-3**

Pins 1-3, 5-7, A, B, and C are  $\varnothing.040$  [ $\varnothing1.02$ ]  
Pins 4 and 8 are  $\varnothing.080$  [ $\varnothing2.03$ ]

**Thru-Hole:** CSP1900-11-01-507EP72-R27-L14  
**Surface Mount:** CSP1900-11-01-508EP72-R27-L14

\* FOR ULTRA LOW PROFILE THRU-HOLE ADD "9-"  
IN FRONT OF SURFACE MOUNT PART NUMBER  
9-CSPXXX-XX-XX-XXX-R27-L14

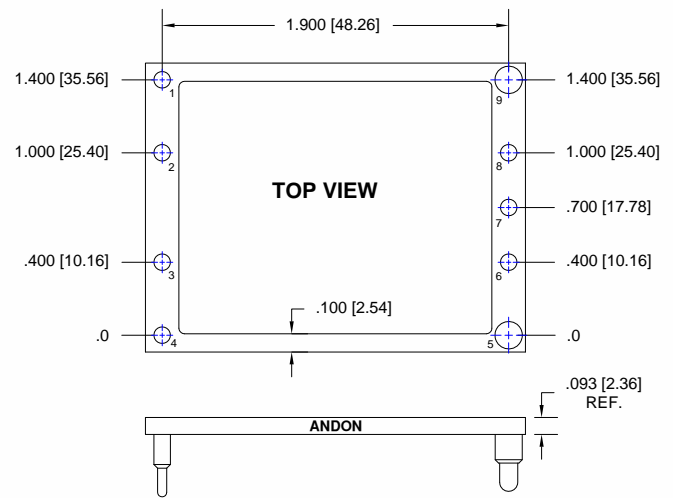
— SURFACE MOUNT TERMINAL



Pins 1-4, 6-8, A-C are  $\varnothing.040$  [ $\varnothing1.02$ ]  
Pins 5 and 9 are  $\varnothing.080$  [ $\varnothing2.03$ ]

**Fig. 19-4**

**Thru-Hole:** CSP1900-12-01-507EP72-R27-L14  
**Surface Mount:** CSP1900-12-01-508EP72-R27-L14



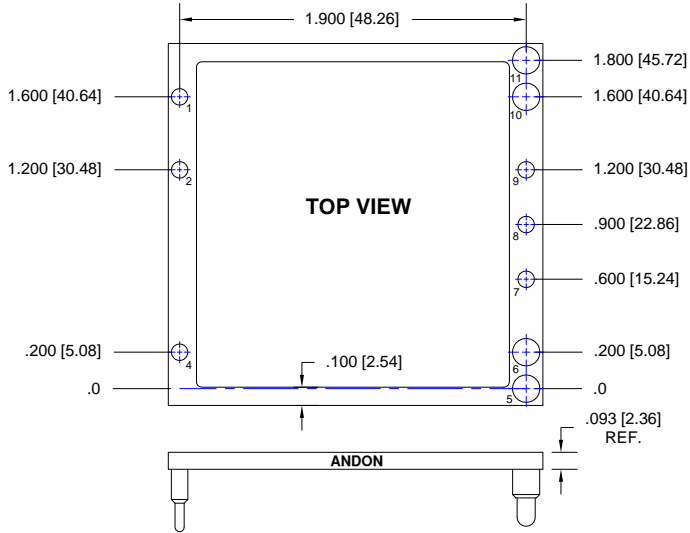
Pins 1-4, 6-8 are  $\varnothing.040$  [ $\varnothing1.02$ ]  
Pins 5 and 9 are  $\varnothing.080$  [ $\varnothing2.03$ ]

**Fig. 19-5**

**Thru-Hole:** CSP1900-09-01-507EP72-R27-L14  
**Surface Mount:** CSP1900-09-01-508EP72-R27-L14

**SynQor Continued**  
**Top View Shown**  
**Units: in [mm]**

[Back to Index Page](#)



**Fig. 19-6**

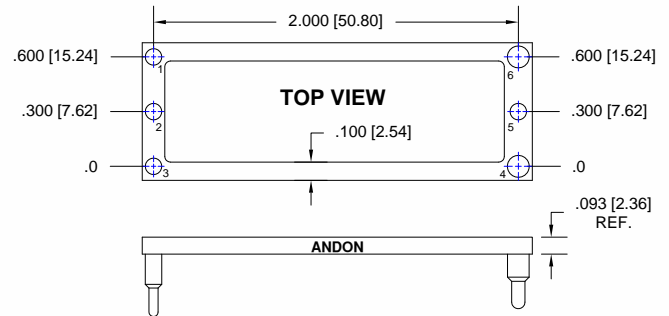
Pins 1, 2, 4, 7-9 are  $\varnothing$ .040 [ $\varnothing$ 1.02]  
Pins 5-6, 10-11 are  $\varnothing$ .080 [ $\varnothing$ 2.03]

**Thru-Hole:** CSP1900-10-02-507EP72-R27-L14  
**Surface Mount:** CSP1900-10-02-508EP72-R27-L14



\* FOR ULTRA LOW PROFILE THRU-HOLE ADD "9-"  
IN FRONT OF SURFACE MOUNT PART NUMBER  
9-CSPXXX-XX-XX-XXX-R27-L14

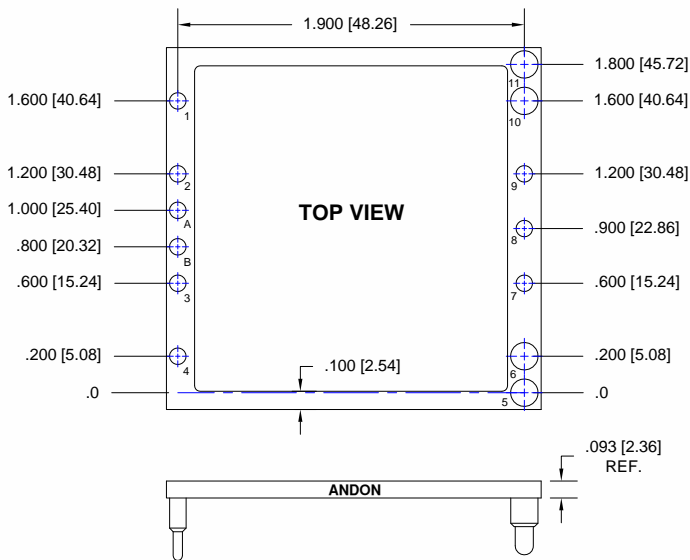
— SURFACE MOUNT TERMINAL



**Fig. 20-1**

Pins 1-3, and 5 are  $\varnothing$ .040 [ $\varnothing$ 1.02]  
Pins 4 & 6 are  $\varnothing$ .062 [ $\varnothing$ 1.57]

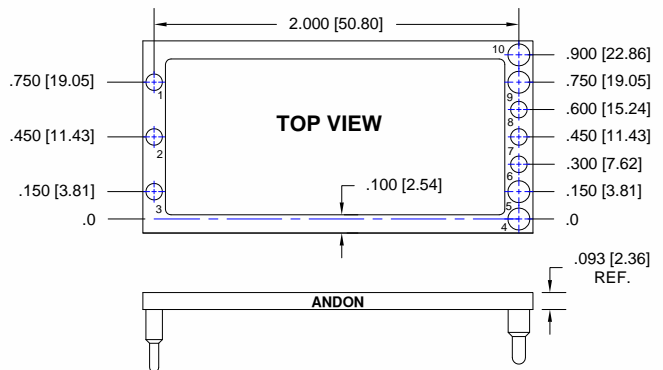
**Thru-Hole:** CSP2000-06-01-502EP55-R27-L14  
**Surface Mount:** CSP2000-06-01-503EP55-R27-L14



**Fig. 19-7**

Pins 1-4, 7-9, A-B are  $\varnothing$ .040 [ $\varnothing$ 1.02]  
Pins 5-6, 10-11 are  $\varnothing$ .080 [ $\varnothing$ 2.03]

**Thru-Hole:** CSP1900-13-01-507EP72-R27-L14  
**Surface Mount:** CSP1900-13-01-508EP72-R27-L14



**Fig. 20-2**

Pins 1-3, 6-8 are  $\varnothing$ .040 [ $\varnothing$ 1.02]  
Pins 4-5, 9-10 are  $\varnothing$ .062 [ $\varnothing$ 1.57]

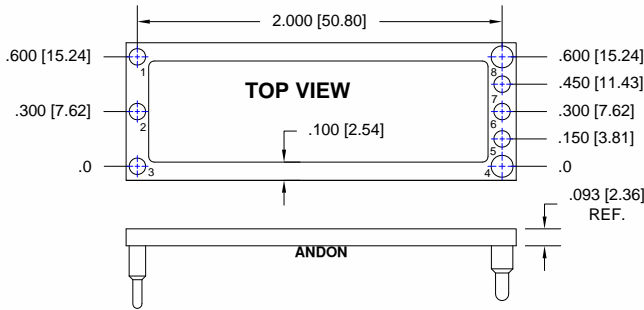
**Thru-Hole:** CSP2000-10-01-502EP55-R27-L14  
**Surface Mount:** CSP2000-10-01-503EP55-R27-L14

## SynQor Continued

[Back to Index Page](#)

### Top View Shown

Units: in [mm]



Pins 1-3, 5-7 are  $\varnothing.040$  [ $\varnothing1.02$ ]  
Pins 4 and 8 are  $\varnothing.062$  [ $\varnothing1.57$ ]

**Fig. 20-3**

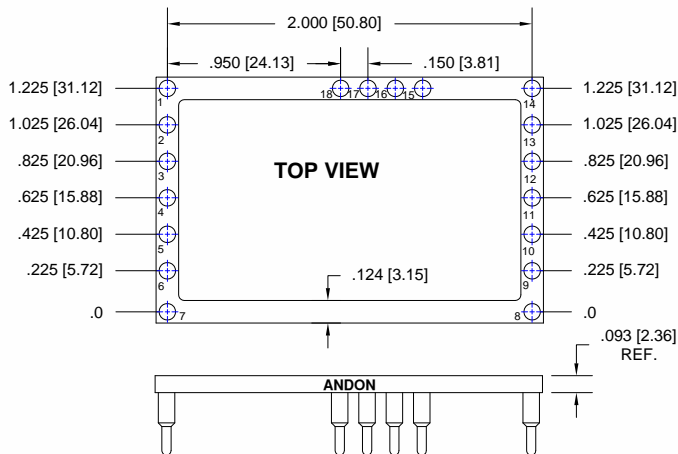
Thru-Hole: CSP2000-08-01-502EP55-R27-L14

Surface Mount: CSP2000-08-01-503EP55-R27-L14



\* FOR ULTRA LOW PROFILE THRU-HOLE ADD "9-"  
IN FRONT OF SURFACE MOUNT PART NUMBER  
9-CSPXXX-XX-XX-XXX-R27-L14

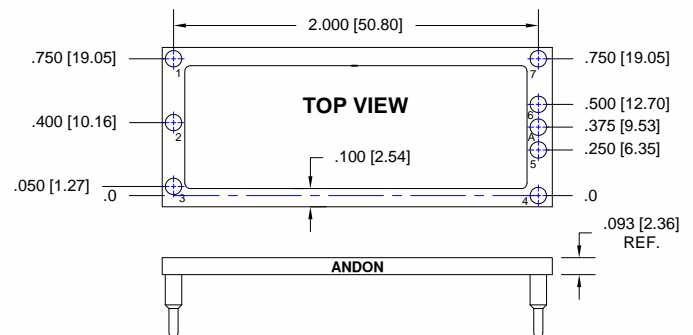
SURFACE MOUNT TERMINAL



**Fig. 20-4**

Thru-Hole: CSP2000-18-01-433E-R27-L14

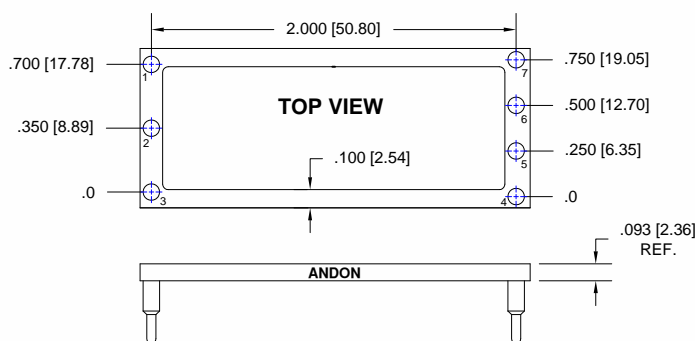
Surface Mount: CSP2000-18-01-285E-R27-L14



**Fig. 20-5**

Thru-Hole: CSP2000-08-02-433E-R27-L14

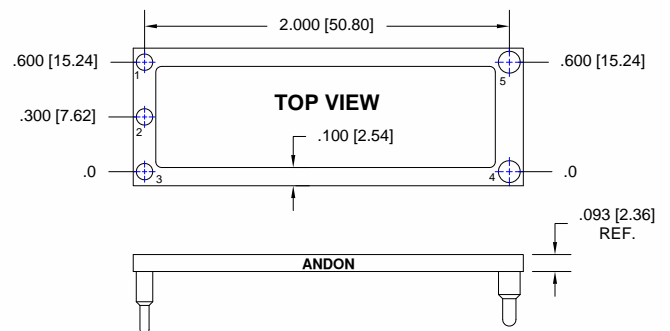
Surface Mount: CSP2000-08-02-285E-R27-L14



**Fig. 20-6**

Thru-Hole: CSP2000-07-04-433E-R27-L14

Surface Mount: CSP2000-07-04-285E-R27-L14



**Fig. 20-7**

Pins 1-3 are  $\varnothing.040$  [ $\varnothing1.02$ ]  
Pins 4-5 are  $\varnothing.062$  [ $\varnothing1.57$ ]

Thru-Hole: CSP2000-05-03-502EP55-R27-L14

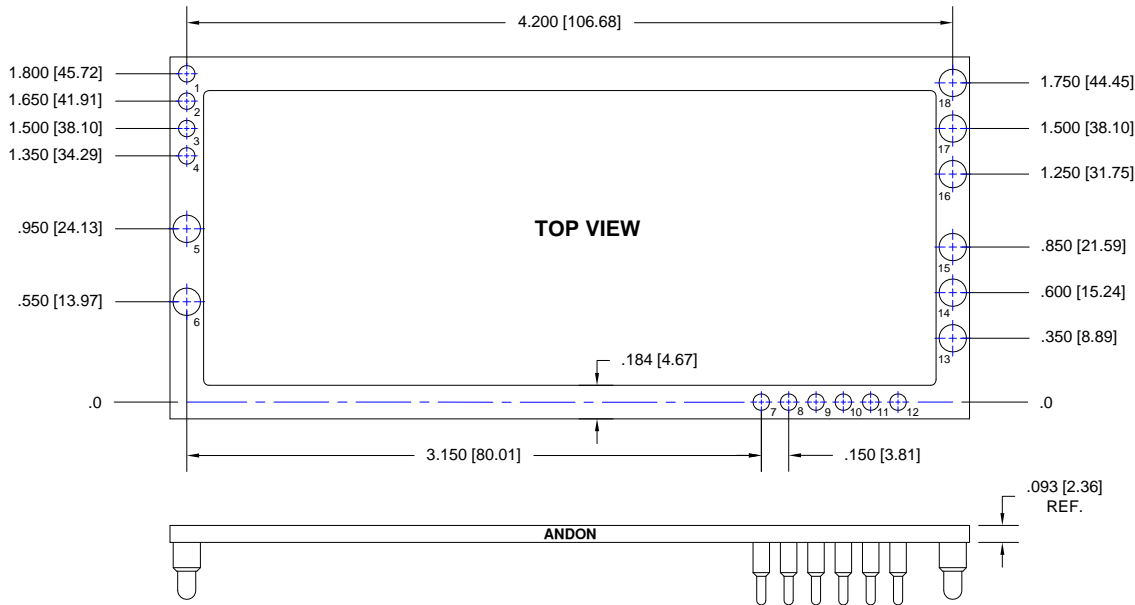
Surface Mount: CSP2000-05-03-503EP55-R27-L14

**"ANDON PROPRIETARY INFORMATION"**  
RoHS Compliant

\*Sockets are not drawn to scale SynQor 11/29/2011

**SynQor Continued**  
**Top View Shown**  
**Units: in [mm]**

[Back to Index Page](#)

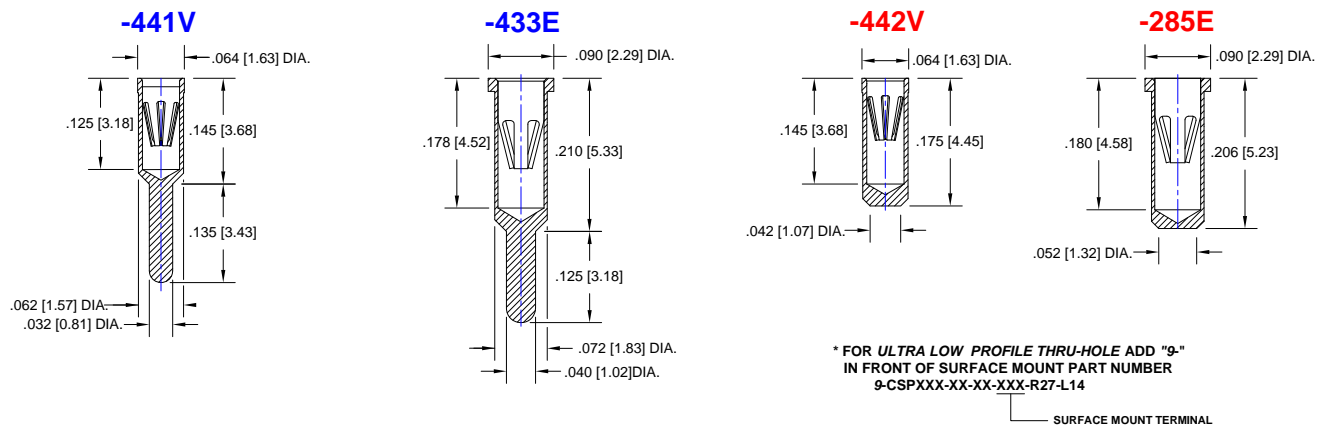


Pins 1-4, 7-12 are  $\varnothing$ .040 [ $\varnothing$ 1.02]  
Pins 5-6, 13-18 are  $\varnothing$ .080 [ $\varnothing$ 2.03]

**Fig. 42-1**

**Thru-Hole:** CSP4200-18-01-507EP72-R27-L14  
**Surface Mount:** CSP4200-18-01-508EP72-R27-L14

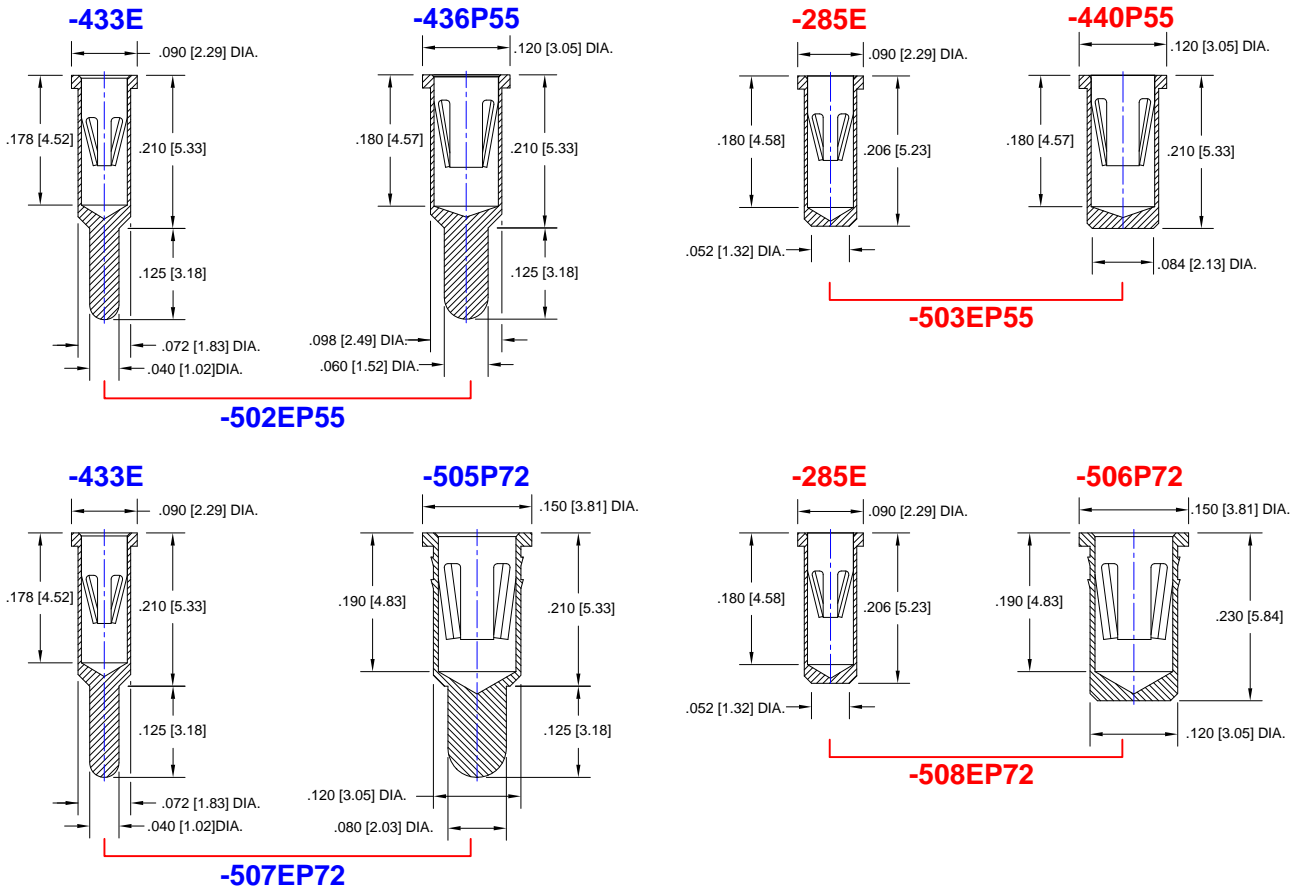
**Socket Terminal Details**  
**Cross Section View Shown Units: in [mm]**



## SynQor Continued

[Back to Index Page](#)

### Socket Terminal Details Cross Section View Shown Units: in [mm]



\* FOR ULTRA LOW PROFILE THRU-HOLE ADD "9-"  
IN FRONT OF SURFACE MOUNT PART NUMBER  
9-CSPXXX-XX-XX-XXX-R27-L14

— SURFACE MOUNT TERMINAL

#### Material:

Insulator: Hi-Temp UL 94V-O  
Terminal: Brass, per ASTM-B16  
Contact: BeCu, Per ASTM-B194

#### Plating: RoHS COMPLIANT

R27 TERMINAL: GOLD / CONTACT: GOLD

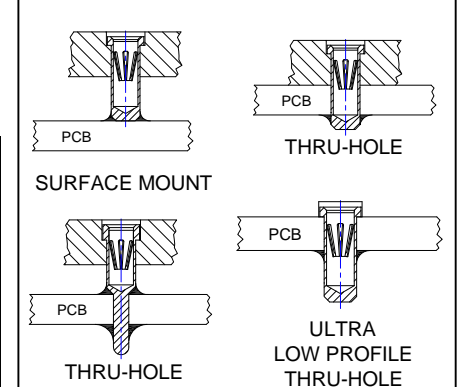
R17 TERMINAL: TIN / CONTACT: GOLD

OTHER PLATINGS AVAILABLE

#### Terminal Acceptance and Forces

Thru Hole Terminals				Surface Mount Terminals			
Thru Hole Terminal	Accepts Pin Diameter	Insertion Force	Withdrawal Force	Surface Mount Terminal	Accepts Pin Diameter	Insertion Force	Withdrawal Force
-441V	Ø.030 [Ø0.76]	13.2 oz Max	3.5 oz Min	-442V	Ø.030 [Ø0.76]	13.2 oz Max	3.3 oz Min
-433E	Ø.040 [Ø1.02]	36.0 oz Max	3.9 oz Min	-285E	Ø.040 [Ø1.02]	36.0 oz Max	3.9 oz Min
-436P55	Ø.062 [Ø1.57]	15.5 oz Max	2.1 oz Min	-440P55	Ø.062 [Ø1.57]	15.5 oz Max	2.1 oz Min
-505P72	Ø.080 [Ø2.03]	48 oz Max	8.0 oz Min	-506P72	Ø.080 [Ø2.03]	48 oz Max	8.0 oz Min

#### MOUNTING OPTIONS





**Distributed Worldwide.**



**ANDON ELECTRONICS CORPORATION**

4 Court Drive Lincoln, RI 02865 USA

Phone: 401-333-0388 Fax: 401-333-0287

Email: [Info@andonelect.com](mailto:Info@andonelect.com)

Visit us on the Web at [www.andonelect.com](http://www.andonelect.com)  
or [www.andonelectronics.com](http://www.andonelectronics.com)