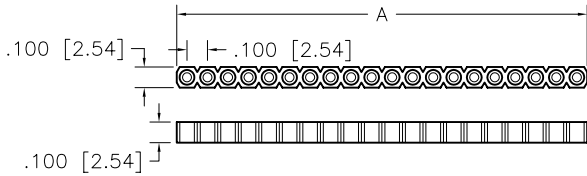
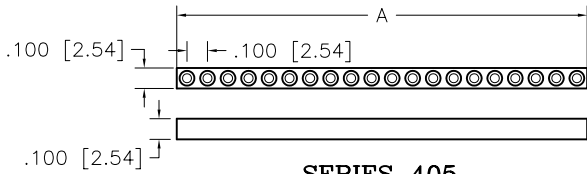


**SERIES 301 SIP SOCKET (SNAP)**  
**SERIES 302 SIP SOCKET (SOLID)**  
**SERIES 405 SIP SOCKET (LAMINATE WAFER)**  
**SERIES 411 SIP SOCKET (POLYIMIDE WAFER)**

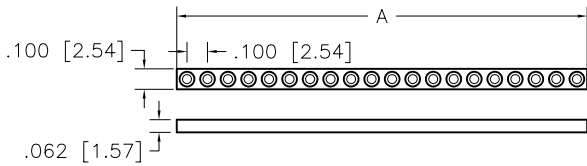
**SERIES 301  
SNAP  
BREAKABLE INSULATOR**



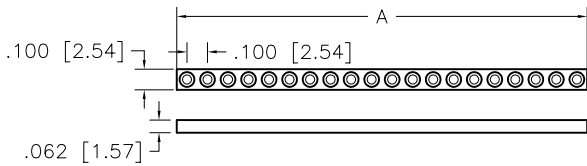
**SERIES 302  
SOLID INSULATOR**



**SERIES 405  
LAMINATE INSULATOR**



**SERIES 411  
POLYIMIDE INSULATOR**



PIN	DIM "A"	
2	.200 [5.08]	002
3	.300 [7.62]	003
4	.400 [10.16]	004
5	.500 [12.70]	005
6	.600 [15.24]	006
7	.700 [17.78]	007
8	.800 [20.32]	008
9	.900 [22.86]	009
10	1.000 [25.40]	010
11	1.100 [27.94]	011
12	1.200 [30.48]	012
13	1.300 [33.02]	013
14	1.400 [35.56]	014
15	1.500 [38.10]	015
16	1.600 [40.64]	016

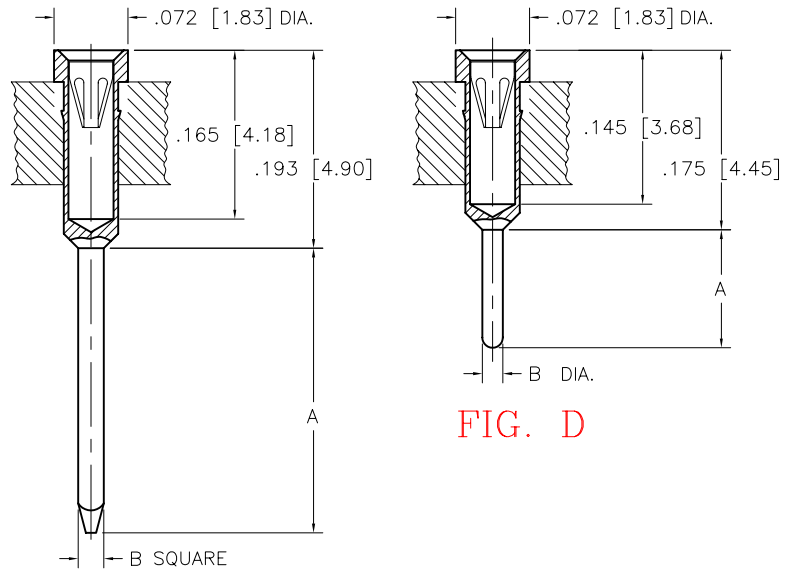
PIN	DIM "A"	
17	1.700 [43.18]	017
18	1.800 [45.72]	018
19	1.900 [48.26]	019
20	2.000 [50.80]	020
21	2.100 [53.34]	021
22	2.200 [55.88]	022
23	2.300 [58.42]	023
24	2.400 [60.96]	024
25	2.500 [63.50]	025
26	2.600 [66.04]	026
27	2.700 [68.58]	027
28	2.800 [71.12]	028
29	2.900 [73.66]	029
30	3.000 [76.20]	030
31	3.100 [78.74]	031
32	3.200 [81.28]	032

**TECHNICAL SPECIFICATIONS**

**MATERIAL INSULATOR** GLASS FILLED POLYESTER  
 UL 94V-0 LISTED  
**TERMINAL CONTACT** BRASS PER ASTM-B16  
 BeCu PER ASTM-B194

**CONTACT FORCES**

**INSERTION** STANDARD 9 oz. AVG.  
**WITHDRAWAL** STANDARD 2 oz. MIN.



**FIG. C**

**FIG. D**

TERMINAL CHART			
TERMINAL	FIG.	DIM "A"	DIM "B"
-01	D	.115 [2.92]	.020 [0.51]
-02	C	.370 [9.40]	.025 [0.64]
-03	C	.510 [12.95]	.025 [0.64]
-08	D	.170 [4.31]	.020 [0.51]
-09	D	.280 [7.11]	.020 [0.51]
-11	D	.135 [3.43]	.020 [0.51]
-94	D	.125 [3.17]	.018 [0.46]

**CONTACT TYPE**

**S: STANDARD DIP** INSERTION FORCE 9.0 oz. AVG.  
 WITHDRAWAL FORCE 2.0 oz. MIN.  
**M: STANDARD PGA** INSERTION FORCE 1.6 oz. MAX.  
 WITHDRAWAL FORCE 0.5 oz. MIN.  
**L: INTERSTITIAL PGA** INSERTION FORCE 1.0 oz. MAX.  
 WITHDRAWAL FORCE 0.3 oz. MIN.  
**H: HIGH FORCE** INSERTION FORCE 18.3 oz. MAX.  
 WITHDRAWAL FORCE 4.2 oz. MIN.

**ORDERING INFORMATION**

**301-OXX-XXX-PXX-B10**  
**302-OXX-XXX-PXX-B10**  
**405-OXX-XXX-PXX-N10**  
**411-OXX-XXX-PXX-H10**

