

SENSL-IRELAND						
SENSL-IRELAND Model Number	Andon Part Number Replace "XXX" with Terminal Type	Terminal Type		Pin Ø [in]	Figure Number	Page Number
		Thru-Hole	Surface Mount			
MICROFC-SMTPA BOARD	C10-3946-05-01-XXX-R27-L14	01S	93S	.018	1	1
MICROFC 10000 SERIES TO18 PACKAGE	R100-0404-02T-XXX-R27-L14	75S	265S	.018	3	1
MICROSC 30000 SERIES X13 CERAMIC PACKAGE	R197-SP02-01-XXX-R27-L14	01S	93S	.018	4	1
MICROFC 60000 SERIES X13 CERAMIC PACKAGE	CSP291-02-01-XXX-R27-L14	01S	93S	.018	2	1

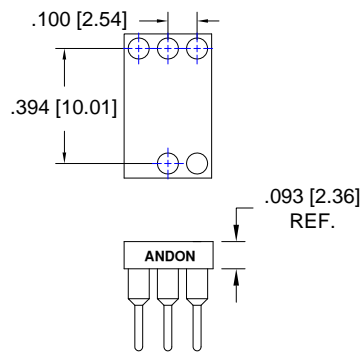


Fig. 1

Thru-Hole: C10-3946-05-01-01S-R27-L14
Surface Mount: C10-3946-05-01-93S-R27-L14

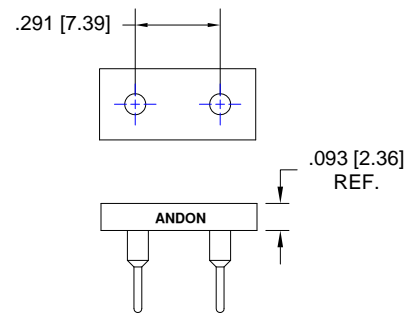


Fig. 2

Thru-Hole: CSP291-02-01-01S-R27-L14
Surface Mount: CSP291-02-01-93S-R27-L14

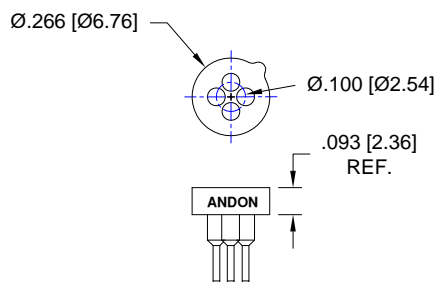


Fig. 3

Thru-Hole: R100-0404-02T-75S-R27-L14
Surface Mount: R100-0404-02T-265S-R27-L14

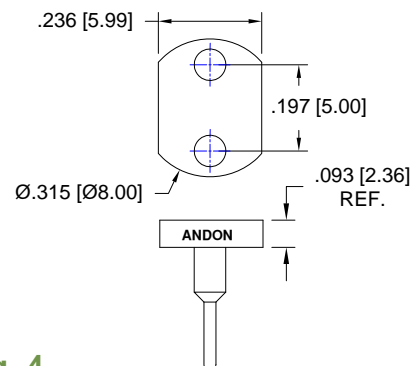
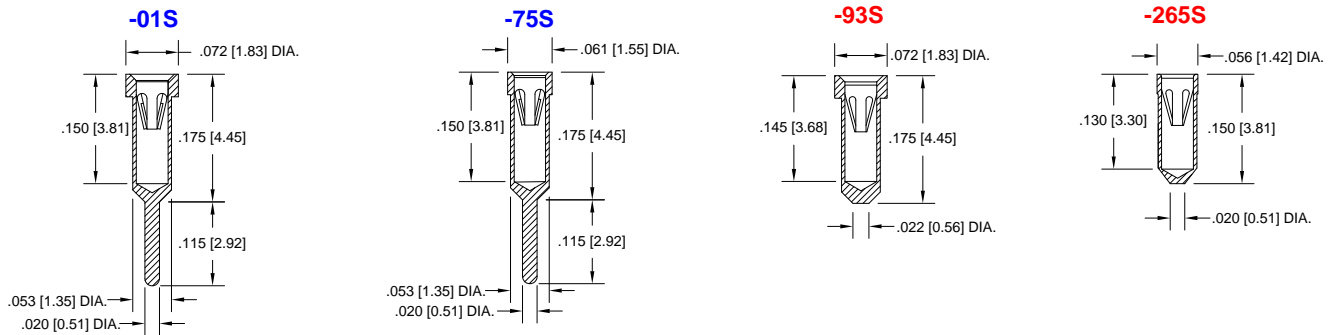


Fig. 4

Thru-Hole: R197-SP02-01-01S-R27-L14
Surface Mount: R197-SP02-01-93S-R27-L14

SENSL-IRELAND *Continued*
Socket Terminal Details
Cross Section View Shown Units: in [mm]



Technical Information

Material:

Insulator: Hi-Temp UL 94V-O
 Terminal: Brass, per ASTM-B16
 Contact: BeCu, Per ASTM-B194

Plating: RoHS COMPLIANT

R27 TERMINAL: GOLD / CONTACT: GOLD

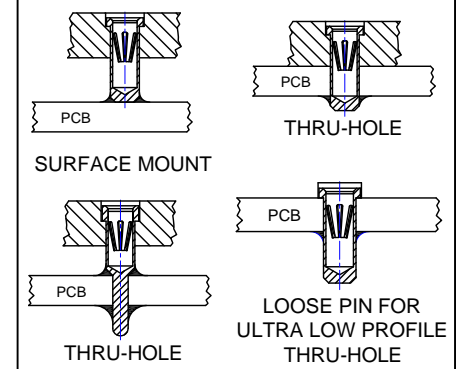
R17 TERMINAL: TIN / CONTACT: GOLD

OTHER PLATINGS AVAILABLE

Terminal Acceptance and Forces

Thru Hole Terminals				Surface Mount Terminals			
Thru Hole Terminal	Accepts Pin Diameter	Insertion Force	Withdrawal Force	Surface Mount Terminal	Accepts Pin Diameter	Insertion Force	Withdrawal Force
-01S	Ø.018 [Ø0.46]	9.0 oz Avg.	2.0 oz Min	-93S	Ø.018 [Ø0.46]	9.0 oz Avg.	2.0 oz Min
-75S	Ø.018 [Ø0.46]	9.0 oz Avg.	2.0 oz Min	-265S	Ø.018 [Ø0.46]	9.0 oz Avg.	2.0 oz Min

MOUNTING OPTIONS



©Copyright 2014 Andon Electronics Corporation. All Rights Reserved. This material is protected under US and other copyrights and may not be copied, sold, or redistributed in any form without written permission of Andon Electronics Corporation. Copyrights and trademarks are property of their respective companies. We reserve the right to change specifications without notice. Andon makes no warranty, expressed or implied, as to the suitability of the sockets for the intended purpose.

"ANDON PROPRIETARY INFORMATION"
RoHS Compliant

*Sockets are not drawn to scale **SENSL-IRELAND** 09/09/2014