

KETEK GmbH						
KETEK GmbH Model Number	Andon Part Number Replace "XXX" with Terminal Type	Terminal Type		Pin Ø [in]	Figure Number	Page Number
		Thru-Hole	Surface Mount			
PM6660	C20-002-02-02-XXX-R27-L14	01S	93S	.018	1	1
PM3360	C10-002-02-01-XXX-R27-L14	01S	93S	.018	2	1
PM3375	C10-002-02-01-XXX-R27-L14	01S	93S	.018	2	1
VITUS H7 SDD	R400-SP12-01T-XXX-R27-L14	01S	93S	.018	3	1
VITUS H7 LE	R400-SP12-01T-XXX-R27-L14	01S	93S	.018	3	1
VITUS H20 SDD	R400-SP12-01T-XXX-R27-L14	01S	93S	.018	3	1
VITUS H30 SDD	R400-SP12-01T-XXX-R27-L14	01S	93S	.018	3	1
VITUS H15LE	R400-SP12-01T-XXX-R27-L14	01S	93S	.018	3	1
VITUS H150	R400-SP12-01T-XXX-R27-L14	01S	93S	.018	3	1

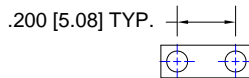


FIG. 1

Thru-Hole: (4) C20-002-02-02-01S-R27-L14
Surface Mount: (4) C20-002-02-02-93S-R27-L14

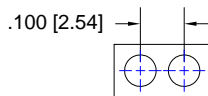


FIG. 2

Thru-Hole: C10-002-02-01-01S-R27-L14
Surface Mount: C10-002-02-01-93S-R27-L14

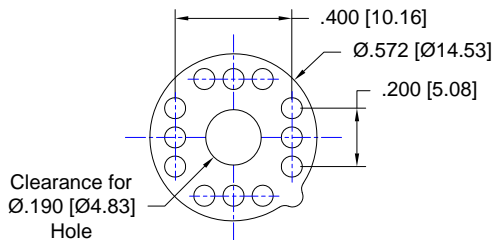
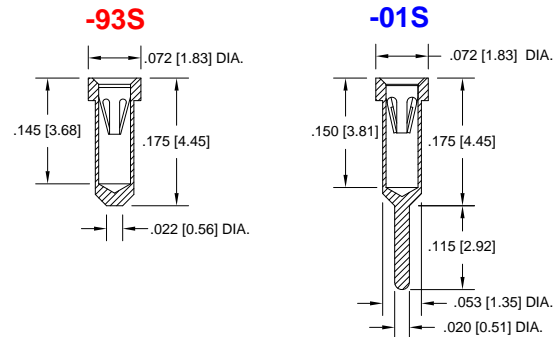


FIG. 3

Thru-Hole: R400-SP12-01T-01S-R27-L14
Surface Mount: R400-SP12-01T-93S-R27-L14

KETEK GmbH Continued Socket Terminal Details

Cross Section View Shown Units: in [mm]



Technical Information

Material:

Insulator: Hi-Temp UL 94V-O
Terminal: Brass, per ASTM-B16
Contact: BeCu, Per ASTM-B194

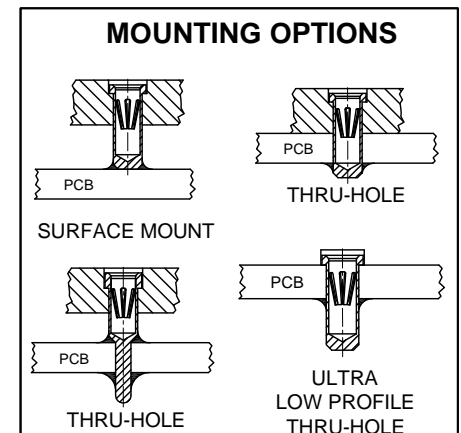
Plating: RoHS COMPLIANT

R15 TERMINAL: GOLD / CONTACT: GOLD

R17 TERMINAL: TIN / CONTACT: GOLD

OTHER PLATINGS AVAILABLE

Terminal Acceptance and Forces							
Thru Hole Terminals				Surface Mount Terminals			
Thru Hole Terminal	Accepts Pin Diameter	Insertion Force	Withdrawal Force	Surface Mount Terminal	Accepts Pin Diameter	Insertion Force	Withdrawal Force
-01S	Ø.018 [Ø0.46]	9.0 oz Avg.	2.0 oz Min	-93S	Ø.018 [Ø0.46]	9.0 oz Avg.	2.0 oz Min



"ANDON PROPRIETARY INFORMATION"
RoHS Compliant

*Sockets are not drawn to scale KETEK GMBH 12/29/2014