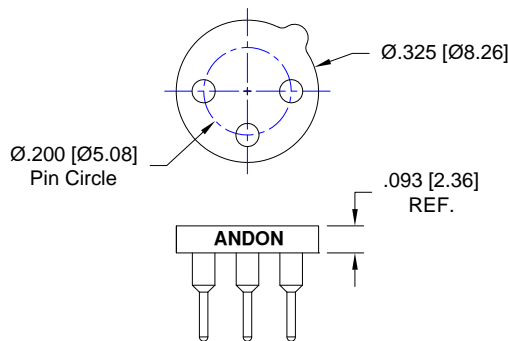


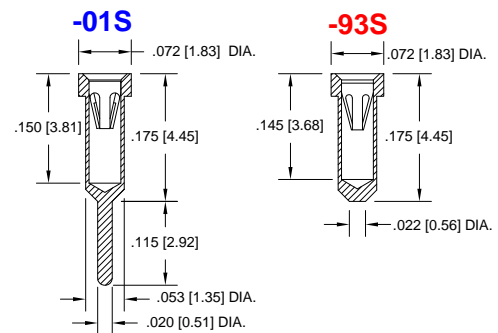
FUJI & CO.						
FUJI & CO. Model Number	Andon Part Number Replace "XXX" with Terminal Type	Terminal Type		Pin Ø [in]	Figure Number	Page Number
		Thru-Hole	Surface Mount			
SPS512GATA	R200-0403-03T-XXX-R27-L14	01S	93S	.018	1	1
SPS512UA	R200-0403-03T-XXX-R27-L14	01S	93S	.018	1	1
SPS512GA	R200-0403-03T-XXX-R27-L14	01S	93S	.018	1	1
SPS512CA	R200-0403-03T-XXX-R27-L14	01S	93S	.018	1	1
SPS532FA	R200-0403-03T-XXX-R27-L14	01S	93S	.018	1	1
SPS532CA	R200-0403-03T-XXX-R27-L14	01S	93S	.018	1	1
FKS-111	R200-0403-03T-XXX-R27-L14	01S	93S	.018	1	1
SPS241EN	R200-0403-03T-XXX-R27-L14	01S	93S	.018	1	1
SPS421BA	R200-0403-03T-XXX-R27-L14	01S	93S	.018	1	1
SPS127BA	R200-0403-03T-XXX-R27-L14	01S	93S	.018	1	1
SPS221BA	R200-0403-03T-XXX-R27-L14	01S	93S	.018	1	1
SPS134BA	R200-0403-03T-XXX-R27-L14	01S	93S	.018	1	1
FKS-111KA	R200-0403-03T-XXX-R27-L14	01S	93S	.018	1	1
FKS-110CA	R200-0403-03T-XXX-R27-L14	01S	93S	.018	1	1
FTS11DKA	R200-0403-03T-XXX-R27-L14	01S	93S	.018	1	1
FTS110CA	R200-0403-03T-XXX-R27-L14	01S	93S	.018	1	1

**FUJI & CO. Continued**  
**Socket Terminal Details**  
Cross Section View Shown Units: in [mm]



**Fig. 01**

Thru-Hole: R200-0403-03T-01S-R27-L14  
Surface Mount: R200-0403-03T-93S-R27-L14



**Technical Information**

**Material:**

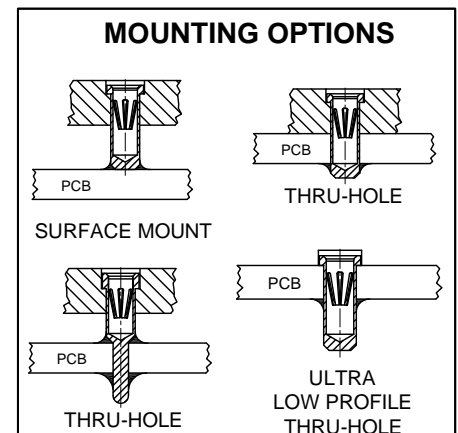
Insulator: Hi-Temp UL 94V-0  
Terminal: Brass, per ASTM-B16  
Contact: BeCu, Per ASTM-B194

**Plating: RoHS COMPLIANT**

**R17 TERMINAL: TIN / CONTACT: GOLD**

**Terminal Acceptance and Forces**

Thru Hole Terminals				Surface Mount Terminals			
Thru Hole Terminal	Accepts Pin Diameter	Insertion Force	Withdrawal Force	Surface Mount Terminal	Accepts Pin Diameter	Insertion Force	Withdrawal Force
-01S	Ø.018 [Ø0.46]	9.0 oz Avg.	2.0 oz Min	-93S	Ø.018 [Ø0.46]	9.0 oz Avg.	2.0 oz Min



**"ANDON PROPRIETARY INFORMATION"**  
**RoHS Compliant**

\*Sockets are not drawn to scale FUJI & CO. 02/24/2015