

AXETRIS AG SWITZERLAND						
AXETRIS AG SWITZERLAND Model Number	Andon Part Number Replace "XXX" with Terminal Type	Terminal Type		Pin Ø [in]	Figure Number	Page Number
		Thru-Hole	Surface Mount			
603.018	R200-0403-03T-XXX-R27-L14	01S	93S	.018	1	1
602.909	R200-0403-03T-XXX-R27-L14	01S	93S	.018	1	1
601.612	R200-0403-03T-XXX-R27-L14	01S	93S	.018	1	1
601.405	R200-0403-03T-XXX-R27-L14	01S	93S	.018	1	1
602.964	R200-0403-03T-XXX-R27-L14	01S	93S	.018	1	1

Heat sink socket available to reduce heat and noise. Contact Andon for details.

Socket Terminal Details Cross Section View Shown Units: in [mm]

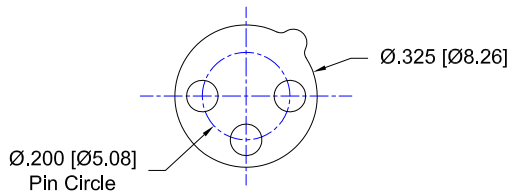
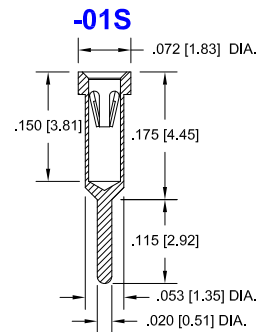
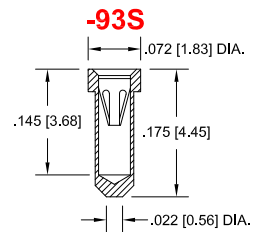


FIG.1

Thru-Hole: R200-0403-03T-01S-R27-L14
Surface Mount: R200-0403-03T-93S-R27-L14



Technical Information

Material:

Insulator: Hi-Temp UL 94V-O
Terminal: Brass, per ASTM-B16
Contact: BeCu, Per ASTM-B194

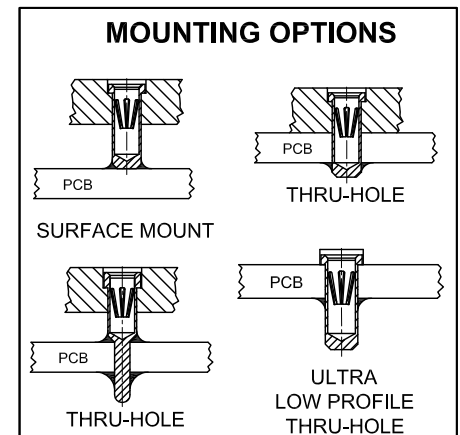
Plating: RoHS COMPLIANT

R15 TERMINAL: GOLD / CONTACT: GOLD

R17 TERMINAL: TIN / CONTACT: GOLD

OTHER PLATINGS AVAILABLE

Terminal Acceptance and Forces							
Thru Hole Terminals				Surface Mount Terminals			
Thru Hole Terminal	Accepts Pin Diameter	Insertion Force	Withdrawal Force	Surface Mount Terminal	Accepts Pin Diameter	Insertion Force	Withdrawal Force
-01S	Ø.018 [Ø0.46]	9.0 oz Avg.	2.0 oz Min	-93S	Ø.018 [Ø0.46]	9.0 oz Avg.	2.0 oz Min



©Copyright 2015 Andon Electronics Corporation. All Rights Reserved. This material is protected under US and other copyrights and may not be copied, sold, or redistributed in any form without written permission of Andon Electronics Corporation. Copyrights and trademarks are property of their respective companies. We reserve the right to change specifications without notice. Andon makes no warranty, expressed or implied, as to the suitability of the sockets for the intended purpose.

"ANDON PROPRIETARY INFORMATION"
RoHS Compliant

*Sockets are not drawn to scale AXETRIS AG SWITZERLAND 6/16/2015