

SENSORS DIRECT

Sensors Direct Model Number	Andon Part Number Replace "XXX" with Terminal Type	Terminal Type		Pin Ø [in]	Figure Number	Page Number
		Thru-Hole	Surface Mount			
S+4OX	R530-SP02-02N-XXX-R15-L14	436P55	440P55	.059	1	1
S+4CO	R530-SP03-01N-XXX-R15-L14	436P55	440P55	.059	2	1
S+4H2S	R530-SP03-01N-XXX-R15-L14	436P55	440P55	.059	2	1
S+7OX	R670-SP02-02N-XXX-R15-L14	433E	285E	.039	3	1
S+7H2S	R670-0804-03N-XXX-R15-L14	433E	285E	.039	4	1
S+7CO	R670-0804-03N-XXX-R15-L14	433E	285E	.039	4	1
S+KGS701	R300-SP03-01-XXX-R15-L14	436P55	440P55	.069	5	1
S+KGS702	R300-SP03-01-XXX-R15-L14	436P55	440P55	.069	5	1
S+KGS703	R300-SP03-01-XXX-R15-L14	436P55	440P55	.069	5	1

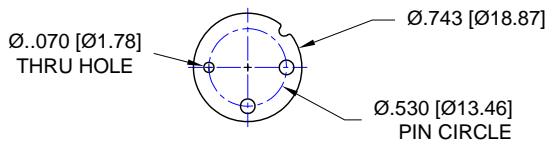


Fig. 1

Thru-Hole: R530-SP02-02N-436P55-R15-L14
Surface Mount: R530-SP02-02N-440P55-R15-L14

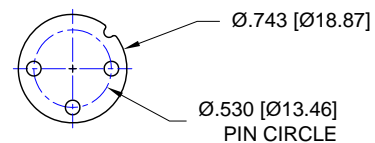


Fig. 2

Thru-Hole: R530-SP03-01N-436P55-R15-L14
Surface Mount: R530-SP03-01N-440P55-R15-L14

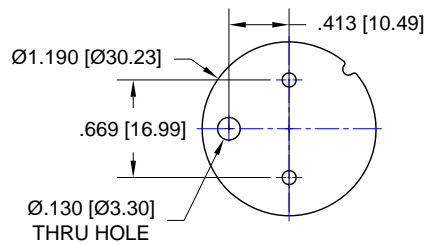


Fig. 3

Thru-Hole: R670-SP02-02N-433E-R15-L14
Surface Mount: R670-SP02-02N-285E-R15-L14

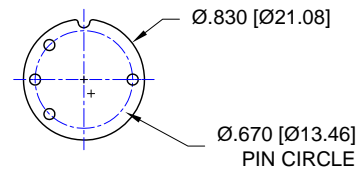


Fig. 4

Thru-Hole: R670-0804-03N-433E-R15-L14
Surface Mount: R670-0804-03N-285E-R15-L14

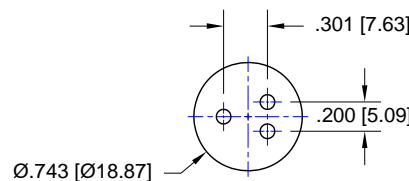


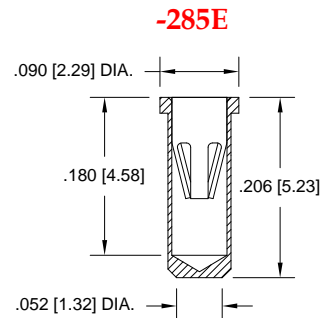
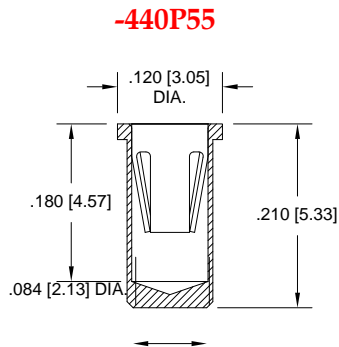
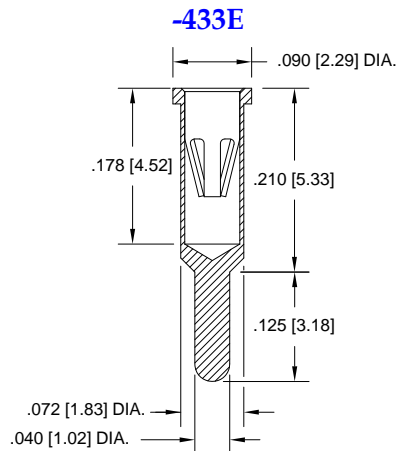
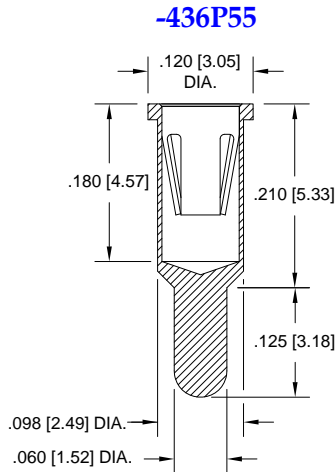
Fig. 5

Thru-Hole: R300-SP03-01-436P55-R15-L14
Surface Mount: R300-SP03-01-440P55-R15-L14

SENSORS DIRECT *Continued*

Socket Terminal Details

Cross Section View Shown Units: in [mm]



Technical Information

Material:

Insulator: Hi-Temp UL 94V-O
Terminal: Brass, per ASTM-B16
Contact: BeCu, Per ASTM-B194

Plating: RoHS COMPLIANT

R15 TERMINAL: GOLD / CONTACT: GOLD

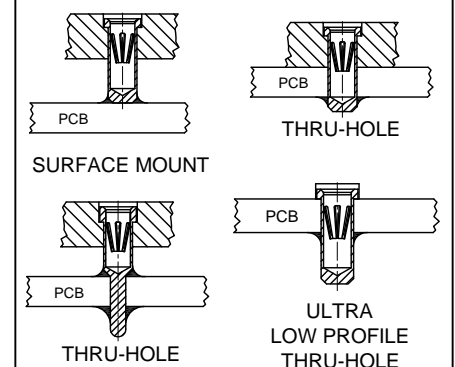
R17 TERMINAL: TIN / CONTACT: GOLD

OTHER PLATINGS AVAILABLE

Terminal Acceptance and Forces

Thru Hole Terminals				Surface Mount Terminals			
Thru Hole Terminal	Accepts Pin Diameter	Insertion Force	Withdrawal Force	Surface Mount Terminal	Accepts Pin Diameter	Insertion Force	Withdrawal Force
-433E	Ø.040 [Ø1.02]	36.0 oz Max	3.9 oz Min	-285E	Ø.040 [Ø1.02]	36.0 oz Max	3.9 oz Min
-436P55	Ø.060 [Ø1.52]	15.5 oz Max	2.1 oz Min	-440P55	Ø.060 [Ø1.52]	15.5 oz Max	2.1 oz Min

MOUNTING OPTIONS



©Copyright 2010 Andon Electronics Corporation. All Rights Reserved. This material is protected under US and other copyrights and may not be copied, sold, or redistributed in any form without written permission of Andon Electronics Corporation. Copyrights and trademarks are property of their respective companies. We reserve the right to change specifications without notice. Andon makes no warranty, expressed or implied, as to the suitability of the sockets for the intended purpose.

"ANDON PROPRIETARY INFORMATION"
RoHS Compliant

*Sockets are not drawn to scale **Sensors Direct** 06/07/2010