

| Nemoto Sensor Engineering Co.,Ltd. | | | | | | |
|--|---|---------------|---------------|------------|---------------|-------------|
| Nemoto Sensor Engineering Co.,Ltd. Part Number | Andon Part Number Replace "XXX" with Terminal Type | Terminal Type | | Pin Ø [in] | Figure Number | Page Number |
| | | Thru-Hole | Surface Mount | | | |
| NAP-100AH | R275-SP05-01T-XXX-R27-L14 | 295V | 439V | .030 | 3 | 2 |
| NAP-100AM | R275-SP05-01T-XXX-R27-L14 | 295V | 439V | .030 | 3 | 2 |
| NAP-2A | R295-0402-02T-XXX-R27-L14 | 01S | 93S | .018 | 7 | 2 |
| NAP-21A | R173-0402-01T-XXX-R27-L14 | 01S | 93S | .018 | 6 | 2 |
| NAP-3A | R295-0402-02T-XXX-R27-L14 | 01S | 93S | .018 | 7 | 2 |
| NAP-50A | R230-0404-02T-XXX-R27-L14 | 295V | 439V | .030 | 5 | 2 |
| NAP-50AF | R230-0404-02T-XXX-R27-L14 | 295V | 439V | .030 | 5 | 2 |
| NAP-505R | 301-003-XXX-R27-B10 | 299S | N/A | .018 | 1 | 1 |
| NAP-505RS | 301-003-XXX-R27-B10 | 299S | N/A | .018 | 1 | 1 |
| NAP-505SS | 301-003-XXX-R27-B10 | 299S | N/A | .018 | 1 | 1 |
| NAP-55A | R230-0404-02T-XXX-R27-L14 | 295V | 439V | .030 | 5 | 2 |
| NAP-66A | R230-0404-02T-XXX-R27-L14 | 295V | 439V | .030 | 5 | 2 |
| NAP-67A | R230-0404-02T-XXX-R27-L14 | 295V | 439V | .030 | 5 | 2 |
| NAP-780 | R530-0403-01T-XXX-R27-L14 | 436P55 | 440P55 | .060 | 2 | 1 |
| NC-170S | R275-SP05-01T-XXX-R27-L14 | 295V | 439V | .030 | 3 | 2 |
| NC-170 | R140-0402-02T-XXX-R27-L14 | 01S | 93S | .018 | 4 | 2 |
| NC-180S-H | R275-SP05-01T-XXX-R27-L14 | 295V | 439V | .030 | 3 | 2 |
| NC-180S-N | R275-SP05-01T-XXX-R27-L14 | 295V | 439V | .030 | 3 | 2 |
| NC-180-A | R140-0402-02T-XXX-R27-L14 | 01S | 93S | .018 | 4 | 2 |
| NC-180-H | R140-0402-02T-XXX-R27-L14 | 01S | 93S | .018 | 4 | 2 |
| NC-180-N | R140-0402-02T-XXX-R27-L14 | 01S | 93S | .018 | 4 | 2 |
| NC-180 | R140-0402-02T-XXX-R27-L14 | 01S | 93S | .018 | 4 | 2 |
| NC-300S | R275-SP05-01T-XXX-R27-L14 | 295V | 439V | .030 | 3 | 2 |
| NC-300 | R140-0402-02T-XXX-R27-L14 | 01S | 93S | .018 | 4 | 2 |
| NC-50S | R230-0404-02T-XXX-R27-L14 | 295V | 439V | .030 | 5 | 2 |
| NC-70S | R230-0404-02T-XXX-R27-L14 | 295V | 439V | .030 | 5 | 2 |
| NE-CI2 | R530-0403-01T-XXX-R27-L14 | 436P55 | 440P55 | .060 | 2 | 1 |
| NE-CO | R530-0403-01T-XXX-R27-L14 | 436P55 | 440P55 | .060 | 2 | 1 |
| NE-HCHO | R530-0403-01T-XXX-R27-L14 | 436P55 | 440P55 | .060 | 2 | 1 |
| NE-NH3 | R530-0403-01T-XXX-R27-L14 | 436P55 | 440P55 | .060 | 2 | 1 |
| NE-NO2 | R530-0403-01T-XXX-R27-L14 | 436P55 | 440P55 | .060 | 2 | 1 |
| NHS-12 | 301-003-XXX-R27-B10 | 299S | N/A | .018 | 1 | 1 |
| NHS-20 | 301-003-XXX-R27-B10 | 299S | N/A | .018 | 1 | 1 |
| NHS-25 | 301-003-XXX-R27-B10 | 299S | N/A | .018 | 1 | 1 |

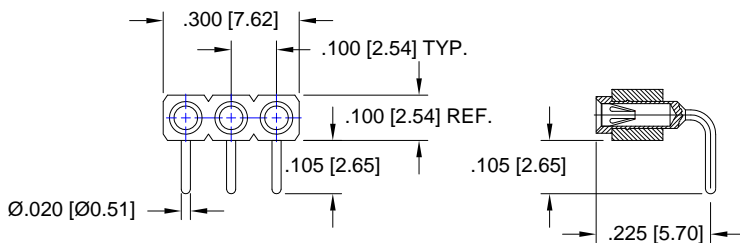


Fig. 1
Thru-hole: 301-003-299S-R27-B10

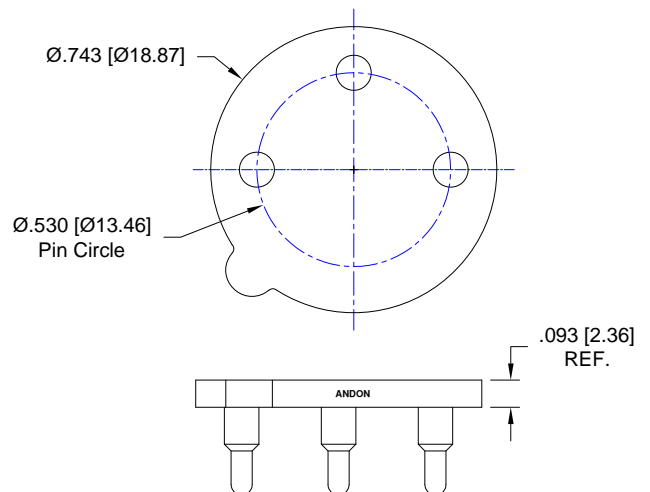


Fig. 2 Thru-Hole: R530-0403-01T-436P55-R27-L14
Surface Mount: R530-0403-01T-440P55-R27-L14

Nemoto Sensor Engineering Co.,Ltd. Continued

Top View Shown

Units: in [mm]

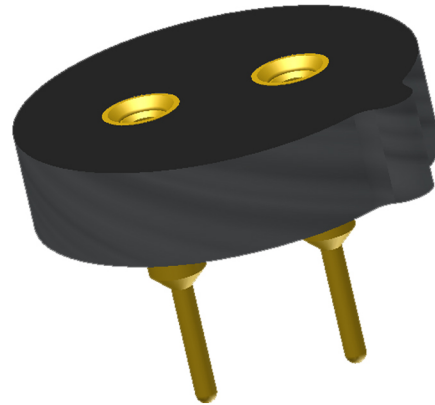
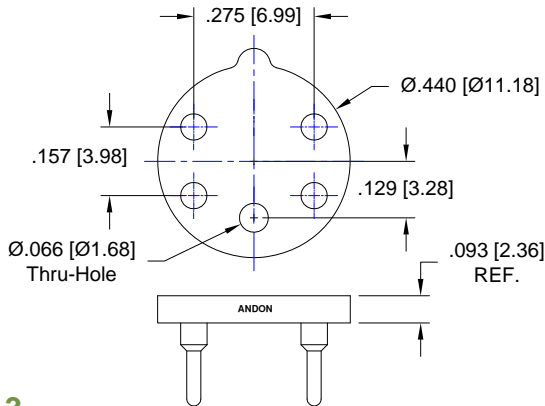


Fig. 3

Thru-Hole: R275-SP05-01T-295V-R27-L14
Surface Mount: R275-SP05-01T-439V-R27-L14

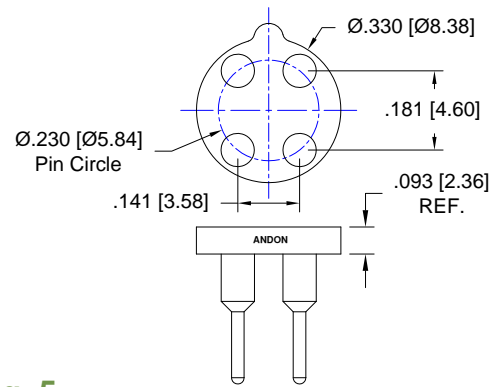
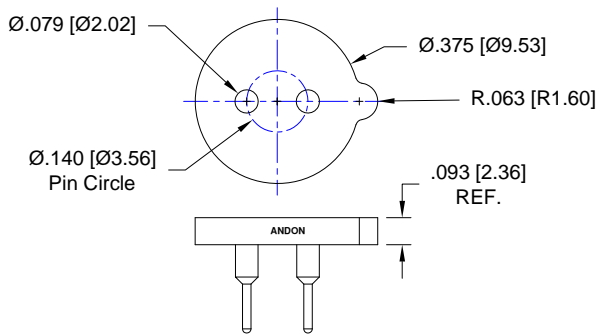


Fig. 4

Thru-Hole: R140-0402-02T-01S-R27-L14
Surface Mount: R140-0402-02T-93S-R27-L14

Fig. 5

Thru-Hole: R230-0404-02T-295V-R27-L14
Surface Mount: R230-0404-02T-439V-R27-L14

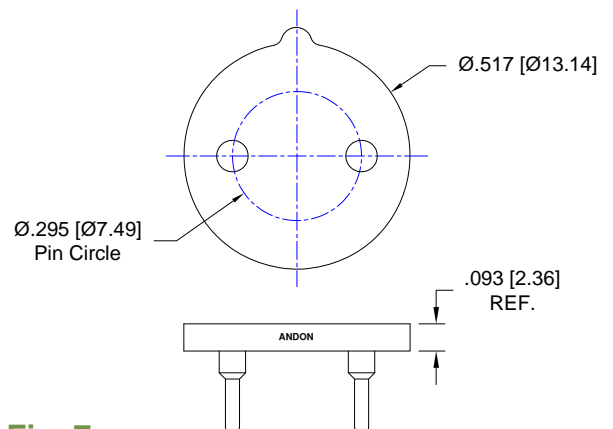
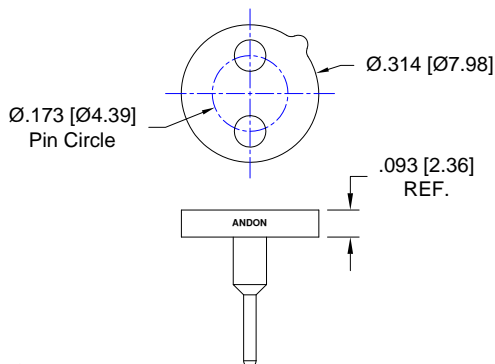


Fig. 6

Thru-Hole: R173-0402-01T-01S-R27-L14
Surface Mount: R173-0402-01T-93S-R27-L14

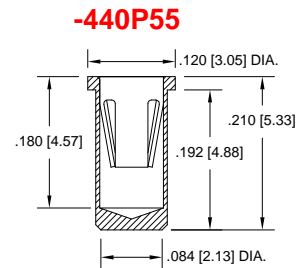
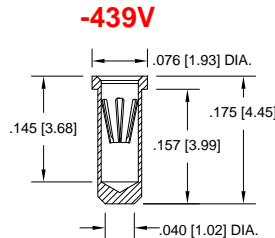
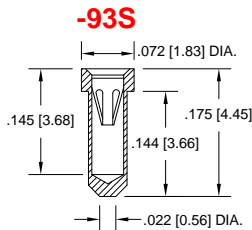
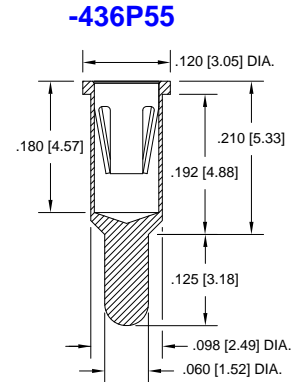
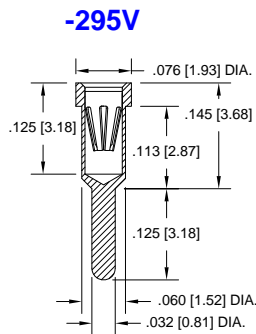
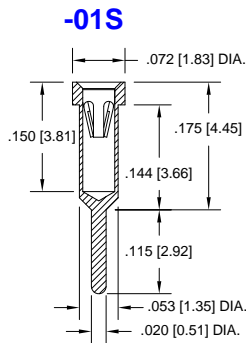
Fig. 7

Thru-Hole: R295-0402-02T-01S-R27-L14
Surface Mount: R295-0402-02T-93S-R27-L14

Nemoto Sensor Engineering Co.,Ltd. *Continued*

Socket Terminal Details

Cross Section View Shown Units: in [mm]



Technical Information

Material:

Insulator: Hi-Temp UL 94V-O
Terminal: Brass, per ASTM-B16
Contact: BeCu, Per ASTM-B194

Plating: RoHS COMPLIANT

R15 TERMINAL: GOLD / CONTACT: GOLD

R17 TERMINAL: TIN / CONTACT: GOLD

OTHER PLATINGS AVAILABLE

| Terminal Acceptance and Forces | | | | | | | |
|--------------------------------|----------------------|-----------------|------------------|-------------------------|----------------------|-----------------|------------------|
| Thru Hole Terminals | | | | Surface Mount Terminals | | | |
| Thru Hole Terminal | Accepts Pin Diameter | Insertion Force | Withdrawal Force | Surface Mount Terminal | Accepts Pin Diameter | Insertion Force | Withdrawal Force |
| -01S | Ø.018 [Ø0.46] | 9.0 oz Avg. | 2.0 oz Min | -93S | Ø.018 [Ø0.46] | 9.0 oz Avg. | 2.0 oz Min |
| -295V | Ø.030 [Ø0.76] | 13.2 oz Max | 3.5 oz Min | -439V | Ø.030 [Ø0.76] | 13.2 oz Max | 3.5 oz Min |
| -436P55 | Ø.060 [Ø1.52] | 15.5 oz Max | 2.1 oz Min | -440P55 | Ø.060 [Ø1.52] | 15.5 oz Max | 2.1 oz Min |

