

FUJIKURA						
FUJIKURA Model Number	Andon Part Number Replace "XXX" with Terminal Type	Terminal Type		Pin Ø [in]	Figure Number	Page Number
		Thru-Hole	Surface Mount			
FCX-UC	R375-0805-01T-XXX-R27-L14	433E	285E	.040	1	1
FCX-UWC	R375-0805-01T-XXX-R27-L14	433E	285E	.040	1	1
FPN	C10-606-06-01-XXX-R27-L14	433E	285E	.040	3	1
FPM	C10-606-06-01-XXX-R27-L14	433E	285E	.040	3	1
FPN-R	C10-606-06-01-XXX-R27-L14	433E	285E	.040	3	1
FPM-R	C10-606-06-01-XXX-R27-L14	433E	285E	.040	3	1
XFPM	C10-606-06-01-XXX-R27-L14	433E	285E	.040	3	1
XFPM-R	C10-606-06-01-XXX-R27-L14	433E	285E	.040	3	1
XFPN	C10-606-06-01-XXX-R27-L14	433E	285E	.040	3	1
XFPN-R	C10-606-06-01-XXX-R27-L14	433E	285E	.040	3	1
FHM	C10-406-06-01-XXX-R27-L14	01D	93D	.040	2	1
FHM-R	C10-406-06-01-XXX-R27-L14	01D	93D	.040	2	1
X3HM-R	C10-406-06-01-XXX-R27-L14	01D	93D	.040	2	1
X3PM	C10-406-06-01-XXX-R27-L14	01D	93D	.040	2	1
X3PM-R	C10-406-06-01-XXX-R27-L14	01D	93D	.040	2	1
XFHM-R	C10-406-06-01-XXX-R27-L14	01D	93D	.040	2	1
9-760-001	R375-0805-01T-XXX-R27-L14	433E	285E	.040	1	1

Heat sink socket available to reduce heat and noise. Contact Andon for details.

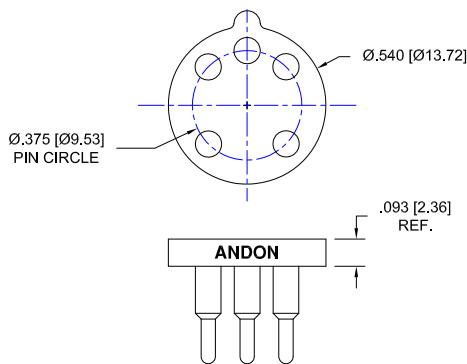


Fig. 1

Thru-Hole: R375-0805-01T-433E-R15-L14
Surface Mount: R375-0805-01T-285E-R15-L14

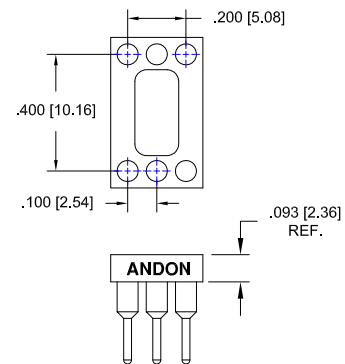


Fig. 2

Thru-Hole: C10-406-06-01-01D-R27-L14
Surface Mount: C10-406-06-01-93D-R27-L14

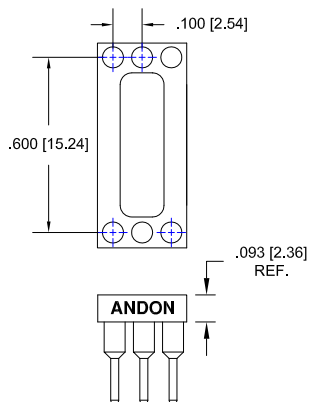


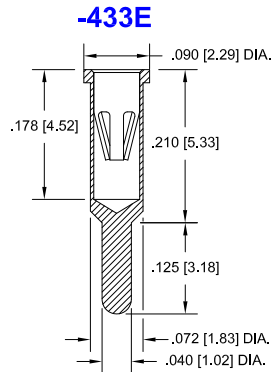
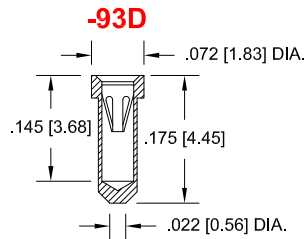
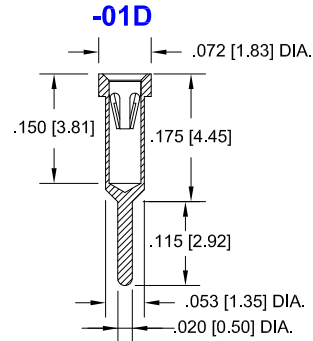
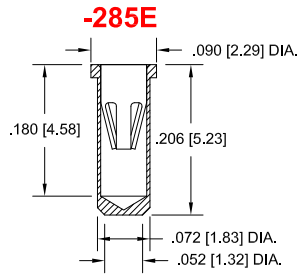
Fig. 3

Thru-Hole: C10-406-06-01-01D-R27-L14
Surface Mount: C10-406-06-01-93D-R27-L14

FUJIKURA *Continued*

Top View Shown

Units: in [mm]



Technical Information

Material:

Insulator: Hi-Temp UL 94V-0
Terminal: Brass, per ASTM-B16
Contact: BeCu, Per ASTM-B194

Plating: RoHS COMPLIANT

R15 TERMINAL: GOLD / CONTACT: GOLD

R17 TERMINAL: TIN / CONTACT: GOLD

OTHER PLATINGS AVAILABLE

Terminal Acceptance and Forces

Thru Hole Terminals				Surface Mount Terminals			
Thru Hole Terminal	Accepts Pin Diameter	Insertion Force	Withdrawal Force	Surface Mount Terminal	Accepts Pin Diameter	Insertion Force	Withdrawal Force
-433E	Ø.040 [Ø1.02]	36.0 oz Max	3.9 oz Min	-285E	Ø.040 [Ø1.02]	36.0 oz Max	3.9 oz Min
-01D	Ø.018 [Ø0.46]	9.5 oz Max	3.2 oz Min	-93D	Ø.018 [Ø0.46]	9.5 oz Max	3.2 oz Min

MOUNTING OPTIONS

