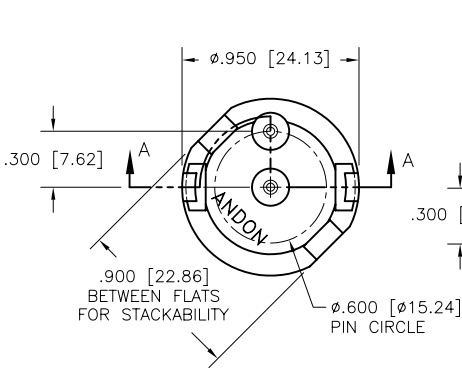


OmniCel BATTERY SOCKETS

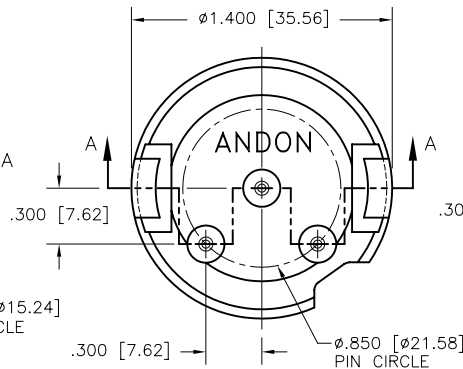


ISO 9001:2000
CERTIFIED

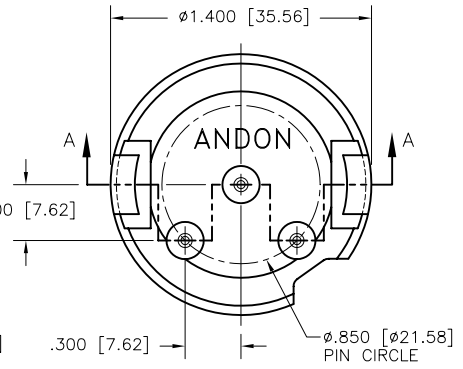
RoHS COMPLIANT



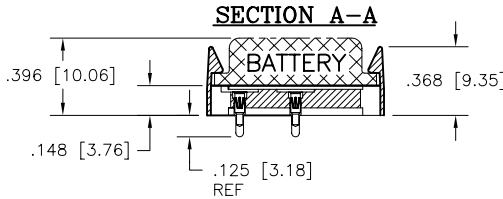
ACCEPTS OmniCel®
ER22G68



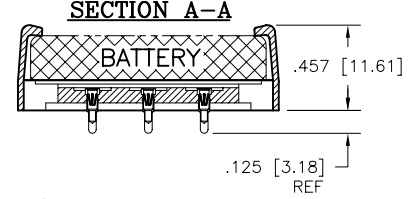
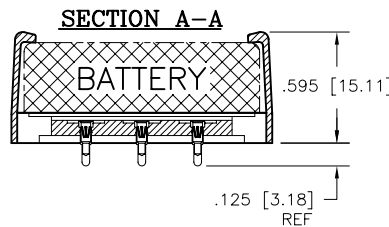
ACCEPTS OmniCel®
ER32L100



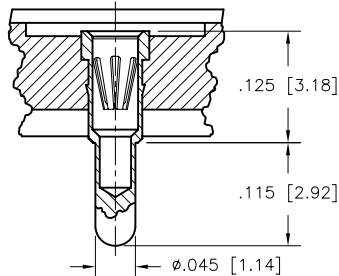
ACCEPTS OmniCel®
ER32L65



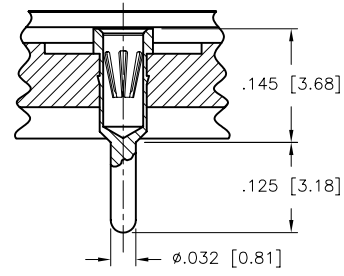
-280V
SOCKET ASSEMBLY



-295V
SOCKET ASSEMBLY



MOUNTING HOLE ϕ
 $\phi.055$ [1.40] / $\phi.065$ [1.65]
ACCEPTS BATTERY TAIL LENGTH
.135 [3.43] / .210 [5.33]
ACCEPTS TAIL ϕ
 $\phi.025$ [2.64] / $\phi.037$ [0.94]



MOUNTING HOLE ϕ
 $\phi.042$ [1.07] / $\phi.052$ [1.32]
ACCEPTS BATTERY TAIL LENGTH
.115 [2.92] / .132 [3.35]
ACCEPTS TAIL ϕ
 $\phi.025$ [2.64] / $\phi.037$ [0.94]

TECHNICAL SPECIFICATIONS

MATERIALS:
INSULATOR: UL 94V-0
TERMINAL: BRASS, PER ASTM-B16
PLATED TIN- LEAD OR
PLATED GOLD
OR PLATED TIN (RoHS COMPLIANT)
CONTACT: BeCu, PER ASTM-B194
PLATED TIN OR
PLATED GOLD

ORDERING INFORMATION

BS-XXXX-XX-2XXV-PXX-D14

SERIES ———— INSULATOR UL 94V-0

BATTERY TYPE ———— PLATING: TERMINAL / CONTACT
ER22G68 P27: GOLD / GOLD
ER32L100 P32: TIN-LEAD / TIN
ER32L65

NO. OF PINS ———— R (RoHS COMPLIANT)

TERMINAL ASSEMBLY NO. ———— TERMINAL: TIN PLATING
280V
295V