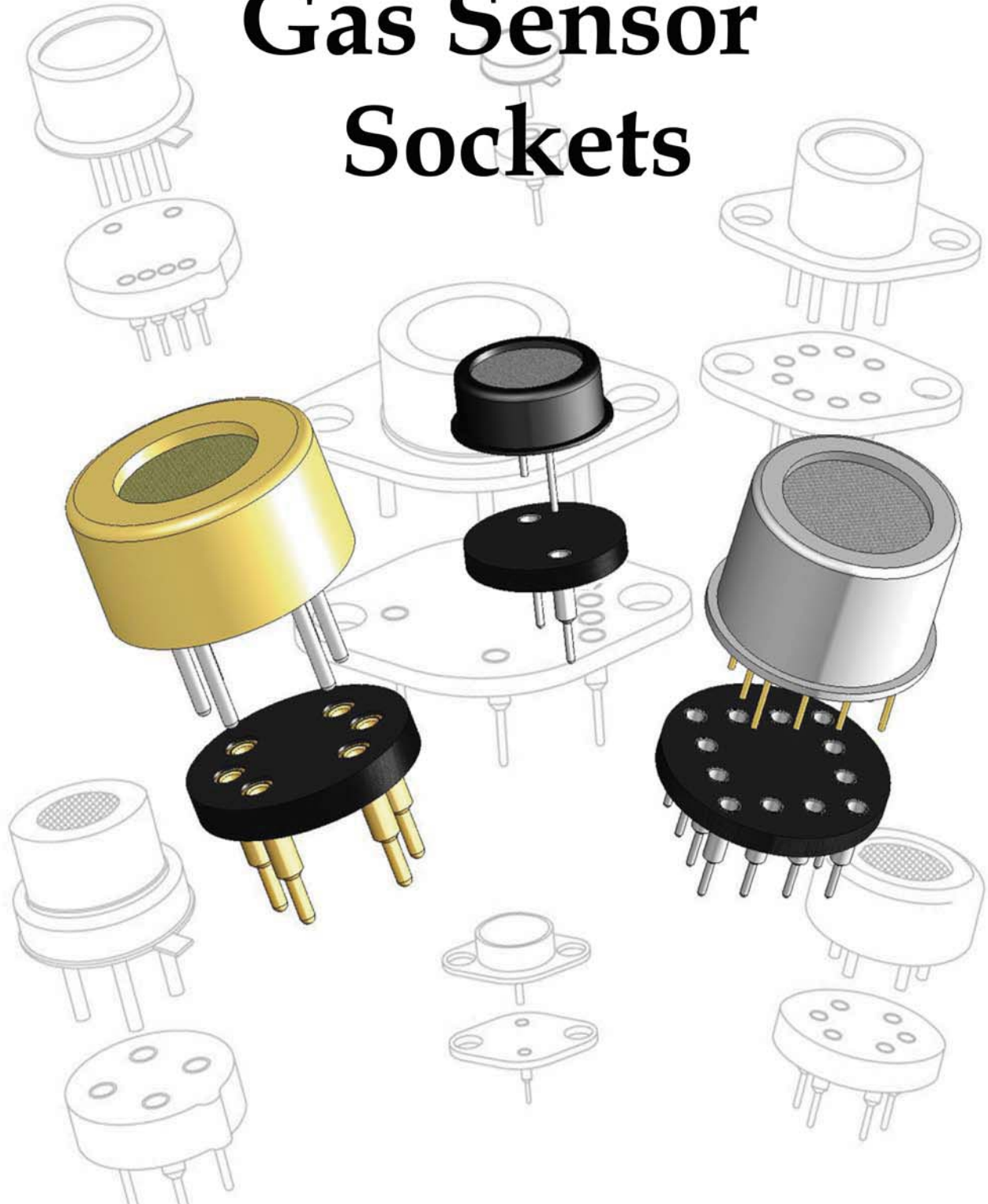


Gas Sensor Sockets



Largest Line of High Reliability Sensor Sockets



**ISO 9001:2000
CERTIFIED**
RoHS COMPLIANT

GAS SENSOR SOCKETS

At Andon Electronics, we provide interconnection components that help companies to cost effectively protect, assemble, test and replace their semiconductor devices.

RISKS

- **Electrolytes:** Leakage can cause irritation of the eyes and skin.
Inhalation of the vapors can affect the lungs.
Corrosion of the surrounding area, resulting in damage to equipment.
- **Temperature:** High temperature RoHS Lead Free solders can seriously damage the sensors.
Gas sensors cannot be convection soldered due to the high soldering temperatures, which can completely destroy the gas sensor.
- **Solvents:** Production line exposure to solvents can damage gas sensors.
Organic vapor can degrade the plastic body of the sensor, create false base lines and block sensing electrodes.

Andon Sockets solve all of these problems.

SOLUTION

Socket Contacts developed by Andon Electronics Corp over the past forty years for the Military and Aerospace industries, are produced in-house for a variety of pin diameters.

- Solder Andon sockets on the PCB and plug-in the Sensor after all other assembly and testing.
- Sockets available for all brands of Sensors.
- Footprints same as the Sensor.
- Various terminal and socket sizes available --- Thru-Hole, SMD and Low Profile Carrier Socket.

IMPROVED RELIABILITY

- Complete Rework and Testing without the Sensor reduces risk of damage and loss.
- Easy field replacements and upgrades.
- Improve cash flow by volume PCB assembly cost savings; soldering Andon Sockets and buying Sensors as needed.

IMAGE SENSOR-OPTOELECTRONIC-GAS SENSOR-LASER-FUSE- BATTERY-SEMICONDUCTOR SOCKETS

©Copyright 2008 Andon Electronics Corporation. All Rights Reserved. This material is protected under U.S. and other copyrights and may not be copied, sold or redistributed in any form without the written permission of Andon Electronics Corporation.

GSCSS-1
03/14/08

ANDON ELECTRONICS CORPORATION
4 COURT DRIVE LINCOLN, RI 02865 USA

TEL: (401) 333-0388 FAX: (401) 333-0287
EMAIL: Info@andonelect.com
WEB: www.andonelect.com

Table Of Contents

Section 1 Cross References

- City Technology 1
- SensoriC 1
- E2V 2
- Figaro 2
- Membrapor 2

Section 2 Socket Data

- Figures 1-3 3
- Figures 4-6 4
- Figures 7-9 5
- Figures 10-12 6
- Figures 13-15 7
- Figures 16-18 8
- Figures 19-21 9
- Figures 22-23 10

Appendix: Terminal Data 11

How to utilize this catalog:

- In the electronic version of this catalog, clicking on each row in the Cross Reference section will direct you to the page the Socket Data is found on.

Part Number Example: R200-0403-01-XXXX-R15-L14

Replace "XXXX" with a
Thru-hole or **Surface Mount** Terminal

ABC Company Gas Sensor Sockets							
ABC Company Part Number	Andon Electronics Part Number	Terminal Type		Pin QTY.	Tail Dia. In. [mm]	Figure Number	Page Number
		Thru-Hole	SMD				
ABC-1	R200-0403-01-XXXX-R15-L14	01S	93S	3	.020 [.51]	21	9

↑
Manufacturer Part Number

↑
Socket Thru-hole Terminal Tail diameter

↑
Socket Drawing Figure Number

↑
Figure Drawing is Found on This Page



ISO 9001:2000
CERTIFIED

RoHS COMPLIANT

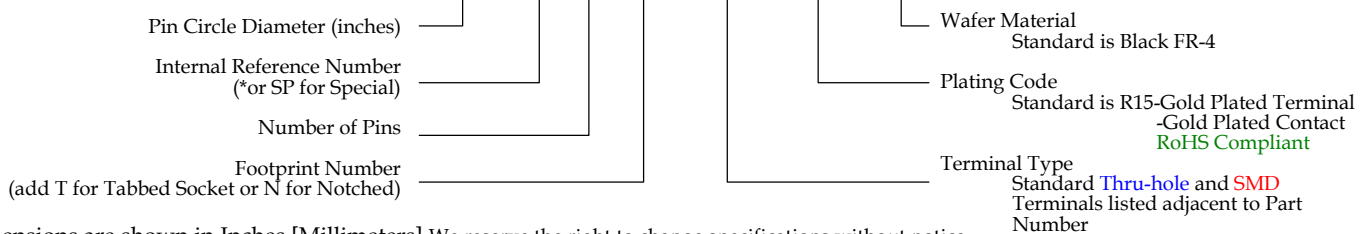
City Technology Gas Sensor Sockets

City Technology Part Number	Andon Electronics Part Number	Terminal Style		Pin QTY.	Tail Dia. In. [mm]	Figure Number	Page Number
		Thru-hole	SMD				
200X-X Series	R140-0402-01-XXXX-R15-L14	01S	93S	2	.020 [.51]	11	6
2CF	R530-0403-01-XXXX-R15-L14	436P55	440P55	3	.060 [1.52]	10	6
300X-X Series	R140-0402-01-XXXX-R15-L14	01S	93S	2	.020 [.51]	11	6
3 Series	R1350-SP03-01-XXXX-R15-L14	433E	285E	3	.040 [1.02]	12	6
4 Series	R530-0403-01-XXXX-R15-L14	436P55	440P55	3	.060 [1.52]	10	6
4COSH	R530-SP04-01-XXXX-R15-L14	436P55	440P55	4	.060 [1.52]	9	5
40X-1 - 40X-2	R530-SP02-01-XXXX-R15-L14	436P55	440P55	2	.060 [1.52]	23	10
4P-XXX Series	R300-SP03-01-XXXX-R15-L14	436P55	440P55	3	.060 [1.52]	8	5
52CF, 52CO	R780-0803-01-XXXX-R15-L14	436P55	440P55	3	.060 [1.52]	15	7
5F, 5MF, 5NF	R670-0804-01-XXXX-R15-L14	436P55	440P55	4	.060 [1.52]	7	5
5FO	R670-0802-01-XXXX-R15-L14	436P55	440P55	2	.060 [1.52]	6	4
7 Series	R670-0804-02-XXXX-R15-L14	433E	285E	4	.040 [1.02]	14	7
7OX-V	R665-SP03-01-XXXX-R15-L14	433E	285E	3	.040 [1.02]	16	8
90N-B, 90N-E	R140-0402-01-XXXX-R15-L14	01S	93S	2	.020 [.51]	11	6
9CF	R470-0402-01-XXXX-R15-L14	433E	285E	2	.040 [1.02]	19	9
A3 Series	R1350-SP05-01-XXXX-R15-L14	433E	285E	5	.040 [1.02]	13	7
A5 Series	R670-0804-01-XXXX-R15-L14	436P55	440P55	4	.060 [1.52]	7	5
A7 Series	R670-0804-02-XXXX-R15-L14	433E	285E	4	.040 [1.02]	14	7
CMP200	R075-0402-01-XXXX-R15-L14	75S	265S	2	.020 [.51]	20	9
IR cel Series	R450-SP07-01-XXXX-R15-L14	436P55	440P55	7	.060 [1.52]	17	8
MCO	R510-SP02-01-XXXX-R15-L14	436P55	440P55	2	.060 [1.52]	18	8
MHYT-1	R1350-SP03-01-XXXX-R15-L14	433E	285E	3	.040 [1.02]	12	6
MND-1, MNO-1	R1350-SP05-01-XXXX-R15-L14	433E	285E	5	.040 [1.02]	13	7
MND-2, MNO-2	R670-0804-02-XXXX-R15-L14	433E	285E	4	.040 [1.02]	14	7
P50, P50-E	R140-0402-01-XXXX-R15-L14	01S	93S	2	.020 [.51]	11	6

SensoriC division of City Technology Gas Sensor Sockets

SensoriC Part Number	Andon Electronics Part Number	Terminal Type		Pin QTY.	Tail Dia. In. [mm]	Figure Number	Page Number
		Thru-Hole	SMD				
XXXX-XXX-30009	R200-0403-01-XXXX-R15-L14	01S	93S	3	.020 [.51]	21	9
XXXX-XXX-30049	R530-0403-01-XXXX-R15-L14	436P55	440P55	3	.060 [1.52]	10	6
XXXX-XXX-30079	R670-0804-01-XXXX-R15-L14	436P55	440P55	4	.060 [1.52]	7	5

RXXX-XXXX-XX-XXXX-XXX-XXX



Dimensions are shown in Inches [Millimeters] We reserve the right to change specifications without notice.
 ©Copyright 2008 Andon Electronics Corporation. All Rights Reserved. This material is protected under U.S. and other copyrights and may not be copied, sold or redistributed in any form without the written permission of Andon Electronics Corporation.
 Trademarks are the property of the respective companies.

GSCCR-1
05/22/08
PAGE 1



**ISO 9001:2000
CERTIFIED**

RoHS COMPLIANT

e2v Technology Gas Sensor Sockets

e2v Technology Part Number	Andon Electronics Part Number	Terminal Type		Pin QTY.	Tail Dia. In. [mm]	Figure Number	Page Number
		Thru-Hole	SMD				
VQ1-VQ27	R140-0402-01-XXXX-R15-L14	01S	93S	2	.020 [.51]	11	6
VQ28-VQ29	R140-0404-01-XXXX-R15-L14	01S	93S	4	.020 [.51]	22	10
VQ31-VQ101	R140-0402-01-XXXX-R15-L14	01S	93S	2	.020 [.51]	11	6
VQ500-VQ549	R300-SP03-01-XXXX-R15-L14	436P55	440P55	3	.060 [1.52]	8	5
EC410-EC430	R530-0403-01-XXXX-R15-L14	436P55	440P55	3	.060 [1.52]	10	6
EC720-EC730	R670-0804-01-XXXX-R15-L14	436P55	440P55	4	.060 [1.52]	7	5
IR1-IR2 SERIES 1	R390-SP06-01-XXXX-R15-L14	436P55	440P55	6	.060 [1.52]	4	4
IR1-IR2 SERIES 2	R450-SP07-01-XXXX-R15-L14	436P55	440P55	7	.060 [1.52]	17	8
IR3-IR4	R390-SP06-01-XXXX-R15-L14	436P55	440P55	6	.060 [1.52]	4	4
IR15-IR25	R520-SP08-01-XXXX-R15-L14	436P55	440P55	8	.060 [1.52]	5	4
IR31CE	R390-SP06-01-XXXX-R15-L14	436P55	440P55	6	.060 [1.52]	4	4
MICS SERIES	R200-0404-01-XXXX-R15-L14	01S	93S	4	.020 [.51]	1	3

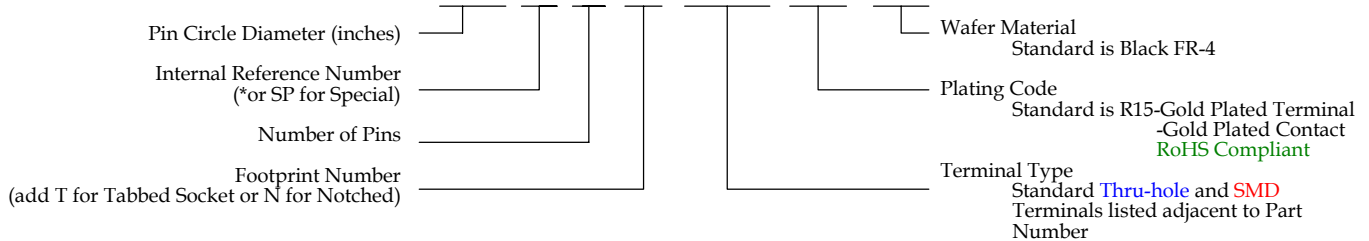
Figaro Gas Sensor Sockets

Figaro Part Number	Andon Electronics Part Number	Terminal Type		Pin QTY.	Tail Dia. In. [mm]	Figure Number	Page Number
		Thru-Hole	SMD				
TGS-800 Series	R375-0806-01-XXXX-R15-L14	433E	285E	6	.040 [1.02]	2	3
TGS-2104	R300-SP04-01-XXXX-R15-L14	295V	439V	4	.032 [.81]	3	3
TGS-2201	R300-SP04-01-XXXX-R15-L14	295V	439V	4	.032 [.81]	3	3
TGS-2442 - TGS-2620	R200-0404-01-XXXX-R15-L14	01S	93S	4	.020 [.51]	1	3
TGS-4160	R375-0806-01-XXXX-R15-L14	433E	285E	6	.040 [1.02]	2	3
TGS-4161	R200-0404-01-XXXX-R15-L14	01S	93S	4	.020 [.51]	1	3

Memrapor Gas Sensor Sockets

Memrapor Part Number	Andon Electronics Part Number	Terminal Type		Pin QTY.	Tail Dia. In. [mm]	Figure Number	Page Number
		Thru-Hole	SMD				
Standard and Slim (3-Series) XXX/SXX-XXXX	R1350-SP03-01-XXXX-R15-L14	433E	285E	3	.040 [1.02]	12	6
Compact (7-Series) XXX/CXX-XXXX	R670-0804-01-XXXX-R15-L14	436P55	440P55	4	.060 [1.52]	7	5
Miniature (4-Series) XXX/MXX-XXXX	R530-0403-01-XXXX-R15-L14	436P55	440P55	3	.060 [1.52]	10	6

RXXX-XXXX-XX-XXXX-XXX-XXX



Dimensions are shown in Inches [Millimeters] We reserve the right to change specifications without notice.
©Copyright 2008 Andon Electronics Corporation. All Rights Reserved. This material is protected under U.S. and other copyrights and may not be copied, sold or redistributed in any form without the written permission of Andon Electronics Corporation.
Trademarks are property of the respective companies.

GSCCR-2
05/22/08
PAGE 2



ISO 9001:2000
CERTIFIED
RoHS COMPLIANT

Gas Sensor Sockets with Exclusive Senstac™ Contact

TOP VIEW

FRONT VIEW

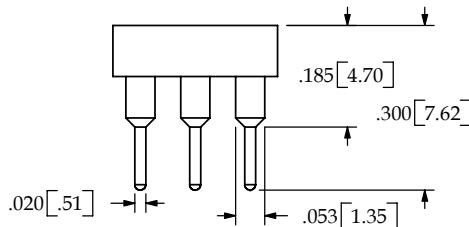
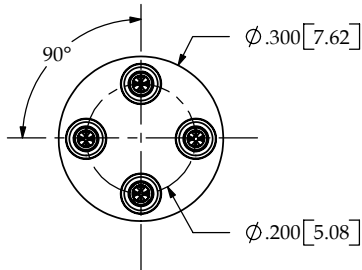


Figure 1: R200-0404-01-XXXX-R15-L14

-01S Thru-Hole Terminal Style Shown. -93S Surface Mount Available, See Page 11 for Terminal Detail Drawings.

TOP VIEW

FRONT VIEW

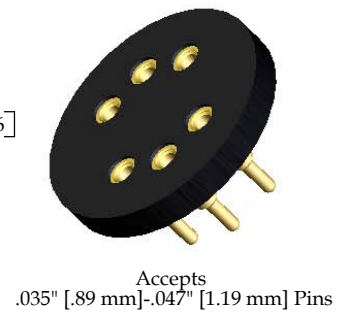
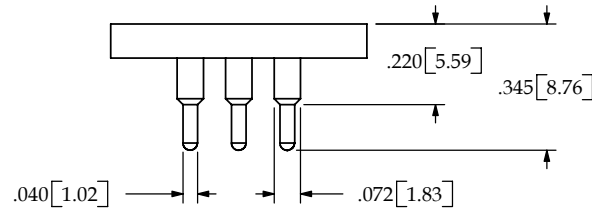
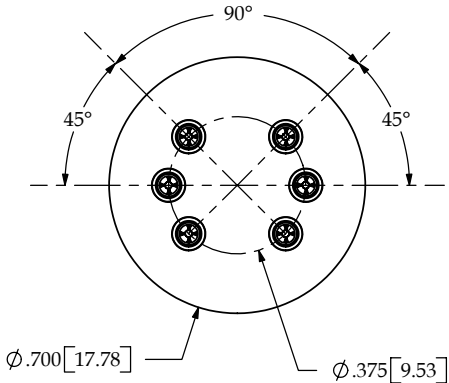


Figure 2: R375-0806-01-XXXX-R15-L14

-433E Thru-Hole Terminal Style Shown. -285E Surface Mount Available, See Page 11 for Terminal Detail Drawings

TOP VIEW

FRONT VIEW

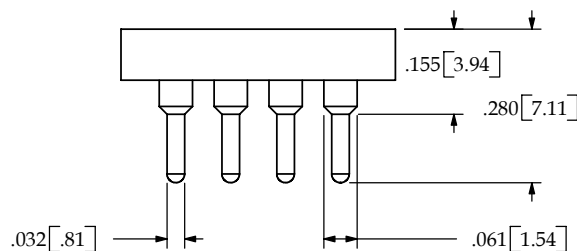
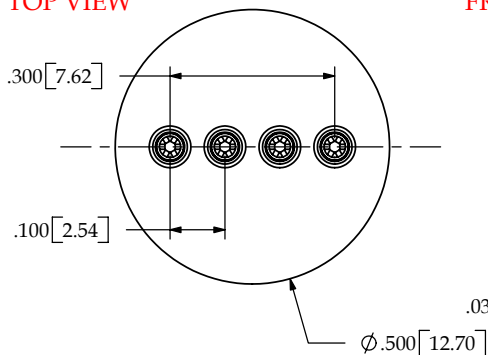


Figure 3: R300-SP04-01-XXXX-R15-L14

-295V Thru-Hole Terminal Style Shown. -439V Surface Mount Available, See Page 11 for Terminal Detail Drawings

Dimensions are shown in Inches [Millimeters] We reserve the right to change specifications without notice.
©Copyright 2008 Andon Electronics Corporation. All Rights Reserved. This material is protected under U.S. and other copyrights and may not be copied, sold or redistributed in any form without the written permission of Andon Electronics Corporation.

GSCFD-1
03/06/2008
PAGE 3



ISO 9001:2000
CERTIFIED
RoHS COMPLIANT

Gas Sensor Sockets with Exclusive Senstac™ Contact

TOP VIEW

FRONT VIEW

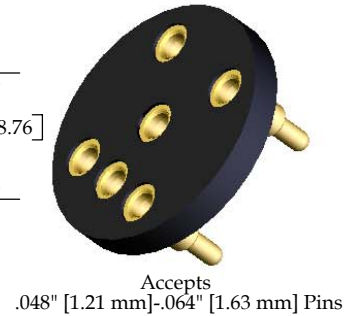
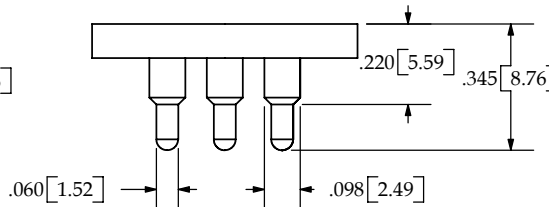
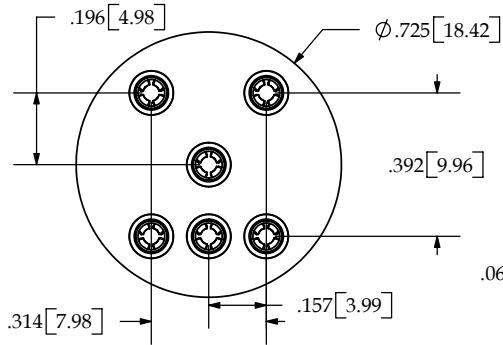


Figure 4: R390-SP06-01-XXXX-R15-L14

-436P55 Thru-Hole Terminal Style Shown. -440P55 Surface Mount Available, See Page 11 for Terminal Detail Drawings.

TOP VIEW

FRONT VIEW

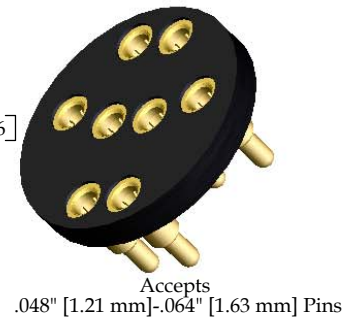
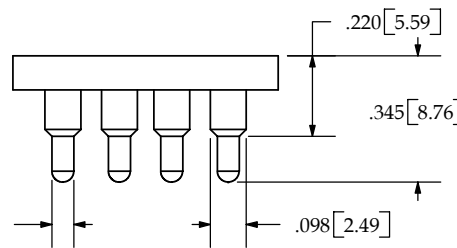
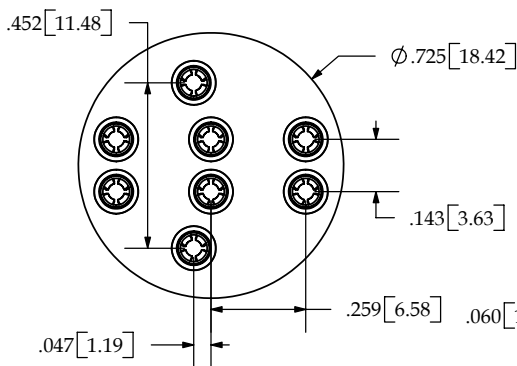


Figure 5: R520-SP08-01-XXXX-R15-L14

-436P55 Thru-Hole Terminal Style Shown. -440P55 Surface Mount Available, See Page 11 for Terminal Detail Drawings.

TOP VIEW

FRONT VIEW

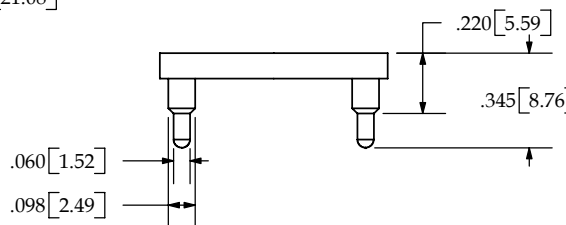
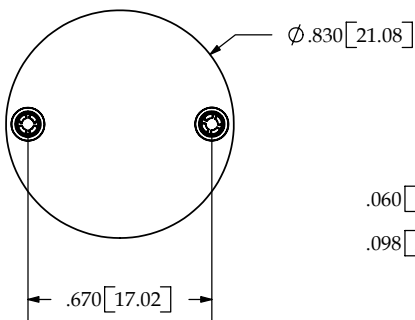


Figure 6: R670-0802-01-XXXX-R15-L14

-436P55 Thru-Hole Terminal Style Shown. -440P55 Surface Mount Available, See Page 11 for Terminal Detail Drawings

Dimensions are shown in Inches [Millimeters] We reserve the right to change specifications without notice.
©Copyright 2008 Andon Electronics Corporation. All Rights Reserved. This material is protected under U.S. and other copyrights and may not be copied, sold or redistributed in any form without the written permission of Andon Electronics Corporation.

GSCFD-2
05/22/08
PAGE 4



ISO 9001:2000
CERTIFIED
RoHS COMPLIANT

Gas Sensor Sockets with Exclusive Senstac™ Contact

TOP VIEW

FRONT VIEW

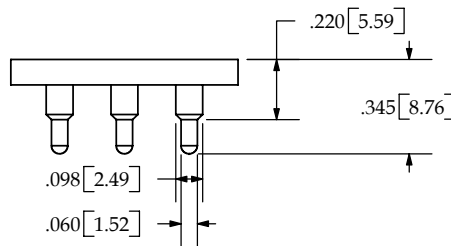
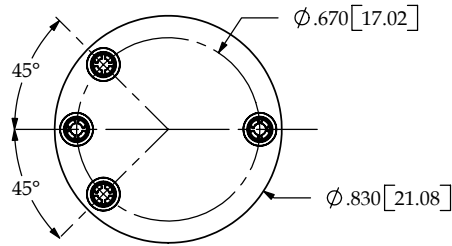


Figure 7:R670-0804-01-XXXX-R15-L14

-436P55 Thru-Hole Terminal Style Shown. -440P55 Surface Mount Available, See Page 11 for Terminal Detail Drawings.

Accepts
.048" [1.21 mm]-.064" [1.63 mm] Pins

TOP VIEW

FRONT VIEW

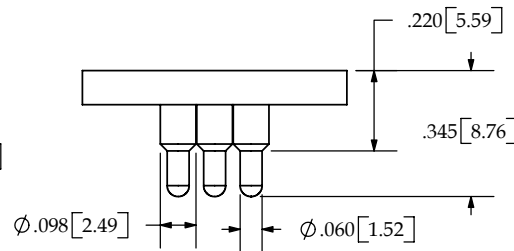
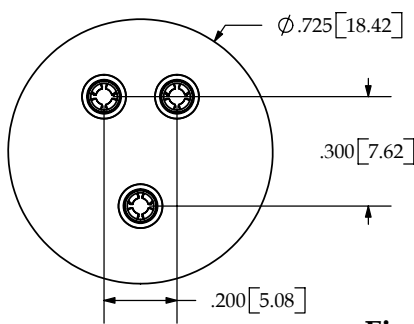


Figure 8:R300-SP03-01-XXXX-R15-L14

-436P55 Thru-Hole Terminal Style Shown. -440P55 Surface Mount Available, See Page 11 for Terminal Detail Drawings

Accepts
.048" [1.21 mm]-.064" [1.63 mm] Pins

TOP VIEW

FRONT VIEW

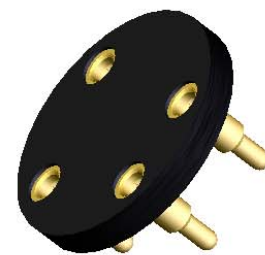
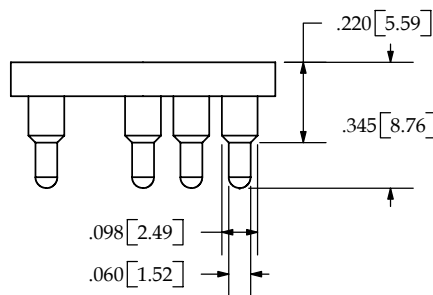
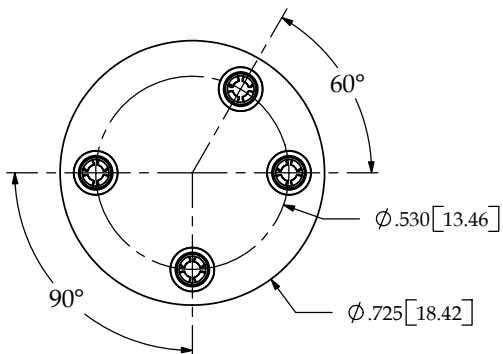


Figure 9: R530-SP04-01-XXXX-R15-L14

-436P55 Thru-Hole Terminal Style Shown. -440P55 Surface Mount Available, See Page 11 for Terminal Detail Drawings

Accepts
.048" [1.21 mm]-.064" [1.63 mm] Pins

Dimensions are shown in Inches [Millimeters] We reserve the right to change specifications without notice.
©Copyright 2008 Andon Electronics Corporation. All Rights Reserved. This material is protected under U.S. and other copyrights and may not be copied, sold or redistributed in any form without the written permission of Andon Electronics Corporation.

GSCFD-3
05/22/2008
PAGE 5



ISO 9001:2000
CERTIFIED

RoHS COMPLIANT

Gas Sensor Sockets with Exclusive Senstac™ Contact

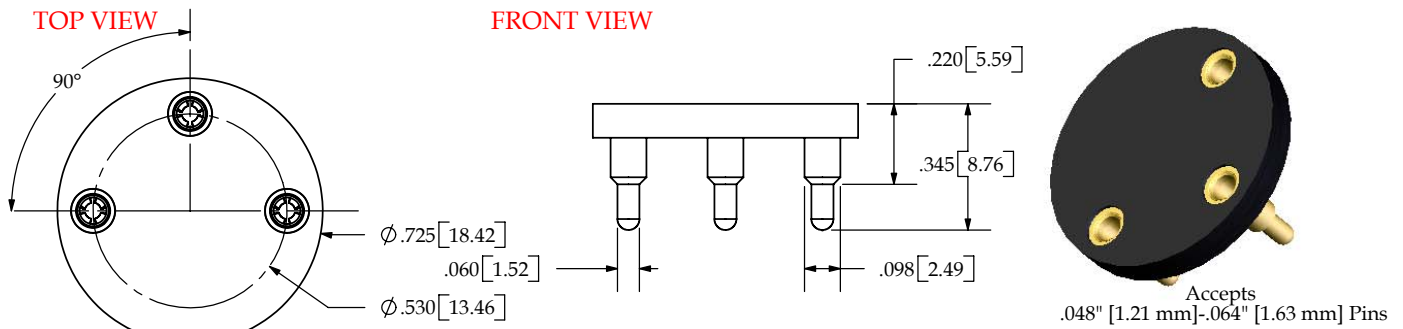


Figure 10: R530-0403-01-XXXX-R15-L14

-436P55 Thru-Hole Terminal Style Shown. -440P55 Surface Mount Available, See Page 11 for Terminal Detail Drawings

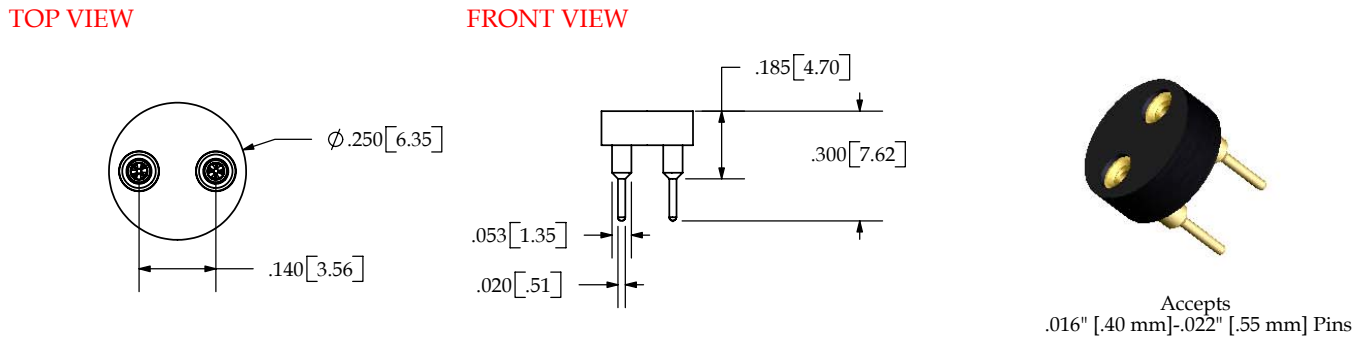


Figure 11: R140-0402-01-XXXX-R15-L14

-01S Thru-Hole Terminal Style Shown. -93S Surface Mount Available, See Page 11 for Terminal Detail Drawings

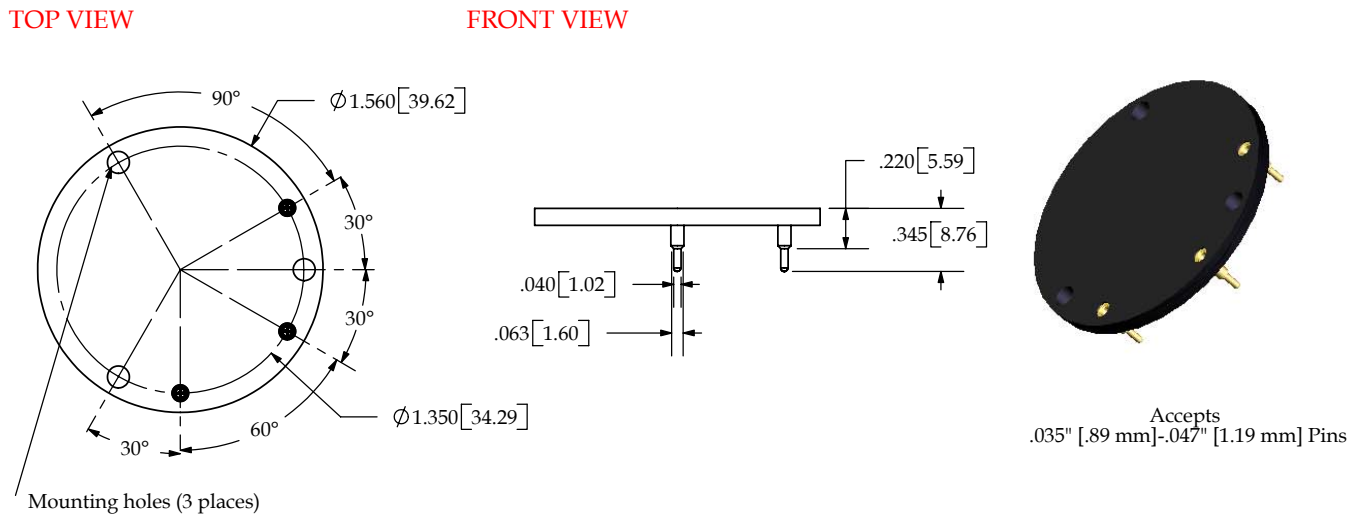


Figure 12: R1350-SP03-01-XXXX-R15-L14

-433E Thru-Hole Terminal Style Shown. -285E Surface Mount Available, See Page 11 for Terminal Detail Drawings

Dimensions are shown in Inches [Millimeters] We reserve the right to change specifications without notice.
©Copyright 2008 Andon Electronics Corporation. All Rights Reserved. This material is protected under U.S. and other copyrights and may not be copied, sold or redistributed in any form without the written permission of Andon Electronics Corporation.

GSCFD-4
05/22/08
PAGE 6



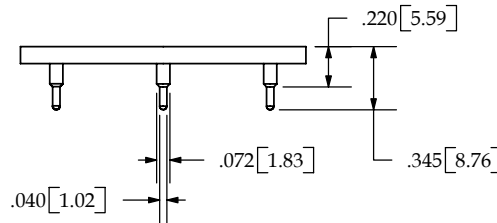
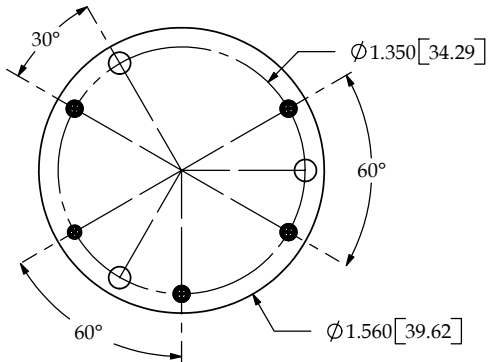
ISO 9001:2000
CERTIFIED

RoHS COMPLIANT

Gas Sensor Sockets with Exclusive Senstac™ Contact

TOP VIEW

FRONT VIEW



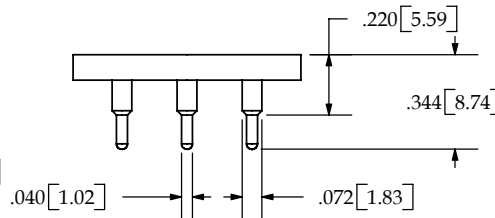
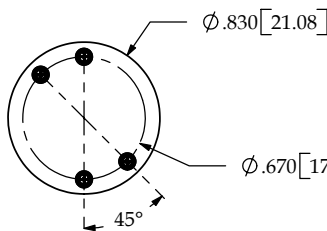
Accepts
.035" [.89 mm]-.047" [1.19 mm] Pins

Figure 13: R1350-SP05-01-XXXX-R15-L14

-433E Thru-Hole Terminal Style Shown. -285E Surface Mount Available, See Page 11 for Terminal Detail Drawings.

TOP VIEW

FRONT VIEW



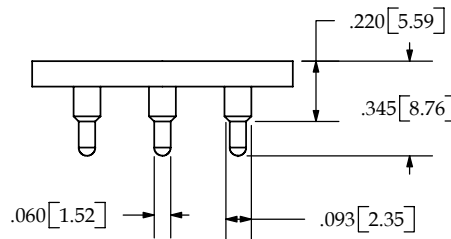
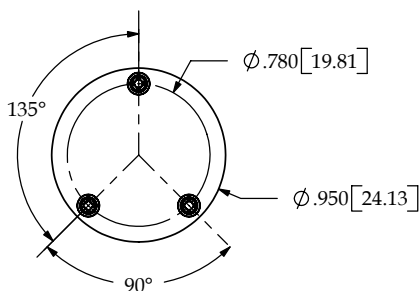
Accepts
.035" [.89 mm]-.047" [1.19 mm] Pins

Figure 14: R670-0804-02-XXXX-R15-L14

-433E Thru-Hole Terminal Style Shown. -285E Surface Mount Available, See Page 11 for Terminal Detail Drawings.

TOP VIEW

FRONT VIEW



Accepts
.048" [1.21 mm]-.064" [1.63 mm] Pins

Figure 15: R780-0803-01-XXXX-R15-L14

-436P55 Thru-Hole Terminal Style Shown. -440P55 Surface Mount Available, See Page 11 for Terminal Detail Drawings.

Dimensions are shown in Inches [Millimeters] We reserve the right to change specifications without notice.
©Copyright 2008 Andon Electronics Corporation. All Rights Reserved. This material is protected under U.S. and other copyrights and may not be copied, sold or redistributed in any form without the written permission of Andon Electronics Corporation.

GSCFD-5
05/22/08
PAGE 7



ISO 9001:2000
CERTIFIED

RoHS COMPLIANT

Gas Sensor Sockets with Exclusive Senstac™ Contact

TOP VIEW

FRONT VIEW

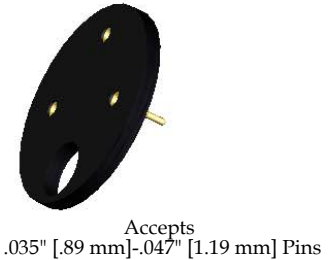
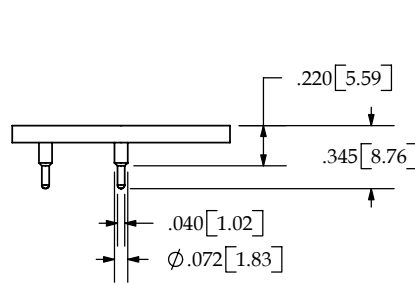
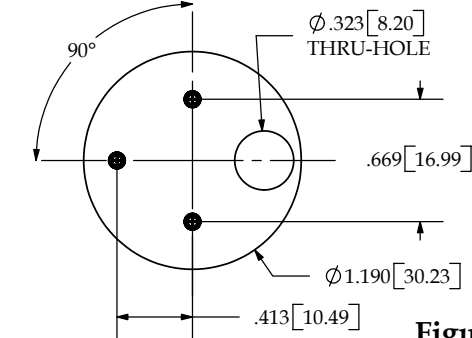


Figure 16: R65-SP03-01-XXXX-R15-L14

-433E Thru-Hole Terminal Style Shown. -285E Surface Mount Available, See Page 11 for Terminal Detail Drawings

TOP VIEW

FRONT VIEW

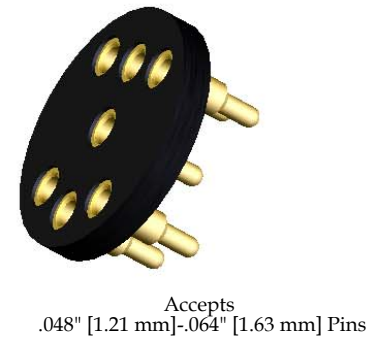
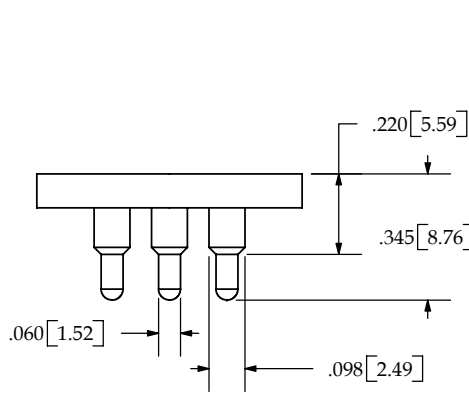
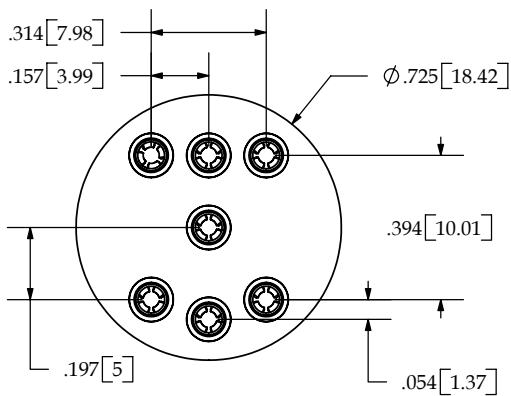


Figure 17: R450-SP07-01-XXXX-R15-L14

-436P55 Thru-Hole Terminal Style Shown. -440P55 Surface Mount Available, See Page 11 for Terminal Detail Drawings

TOP VIEW

FRONT VIEW

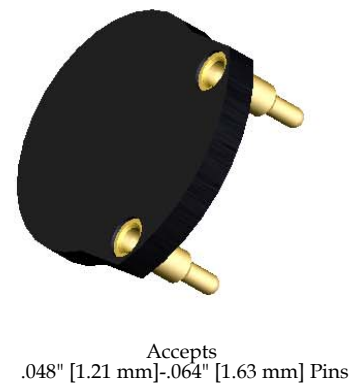
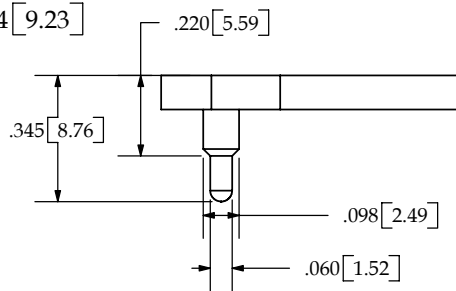
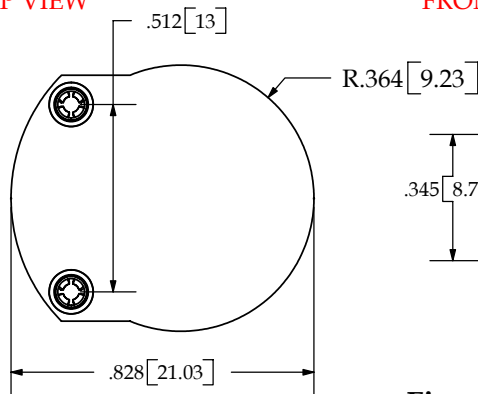


Figure 18: R510-SP02-01-XXXX-R15-L14

-436P55 Thru-Hole Terminal Style Shown. -440P55 Surface Mount Available, See Page 11 for Terminal Detail Drawings

Dimensions are shown in Inches [Millimeters] We reserve the right to change specifications without notice.
©Copyright 2008 Andon Electronics Corporation. All Rights Reserved. This material is protected under U.S. and other copyrights and may not be copied, sold or redistributed in any form without the written permission of Andon Electronics Corporation.

GSCFD-6
05/22/08
PAGE 8



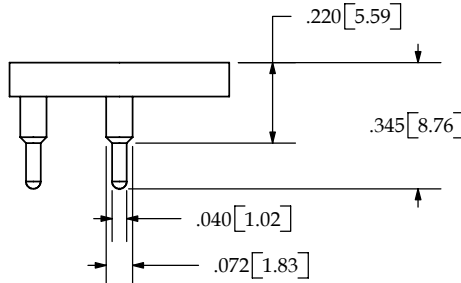
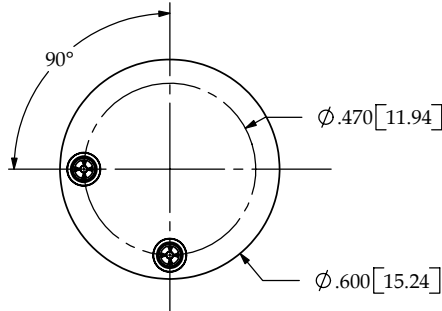
ISO 9001:2000
CERTIFIED

RoHS COMPLIANT

Gas Sensor Sockets with Exclusive Senstac™ Contact

TOP VIEW

FRONT VIEW



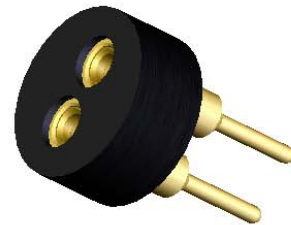
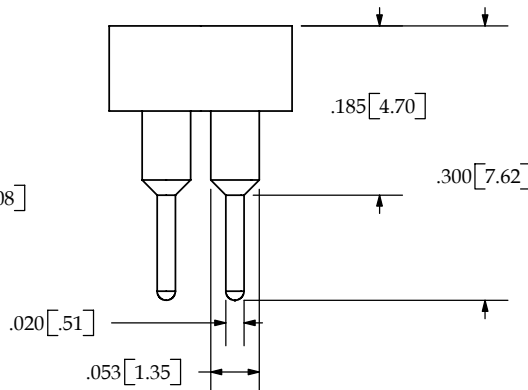
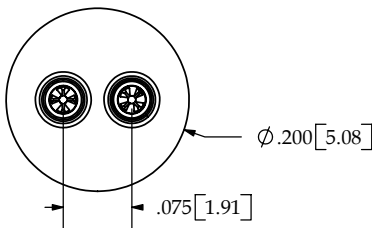
Accepts
.035" [.89 mm]-.047" [1.19 mm] Pins

Figure 19: R470-0402-01-XXXX-R15-L14

-433E Thru-Hole Terminal Style Shown. -285E Surface Mount Available, See Page 11 for Terminal Detail Drawings

TOP VIEW

FRONT VIEW



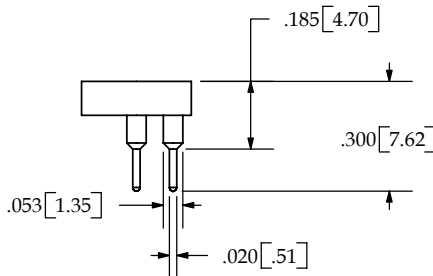
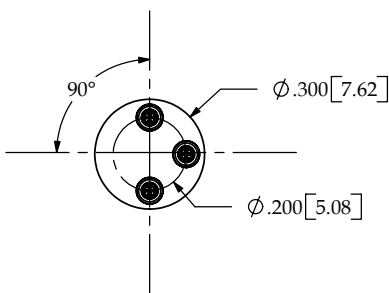
Accepts
.016" [.40 mm]-.022" [.55 mm] Pins

Figure 20: R075-0402-01-XXXX-R15-L14

-75S Thru-Hole Terminal Style Shown. -265S Surface Mount Available, See Page 11 for Terminal Detail Drawings

TOP VIEW

FRONT VIEW



Accepts
.016" [.40 mm]-.022" [.55 mm] Pins

Figure 21: R200-0403-01-XXXX-R15-L14

-01S Thru-Hole Terminal Style Shown. -93S Surface Mount Available, See Page 11 for Terminal Detail Drawings

Dimensions are shown in Inches [Millimeters] We reserve the right to change specifications without notice.
©Copyright 2008 Andon Electronics Corporation. All Rights Reserved. This material is protected under U.S. and other copyrights and may not be copied, sold or redistributed in any form without the written permission of Andon Electronics Corporation.

GSCFD-7
03/10/2008
PAGE 9



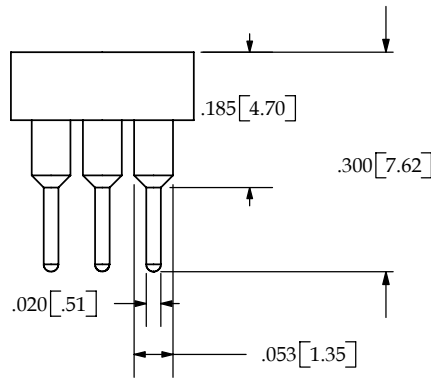
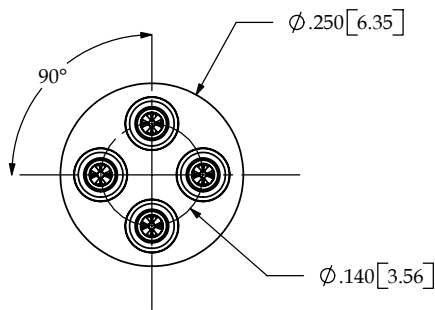
ISO 9001:2000
CERTIFIED

RoHS COMPLIANT

Gas Sensor Sockets with Exclusive Senstac™ Contact

TOP VIEW

FRONT VIEW



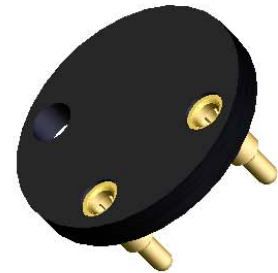
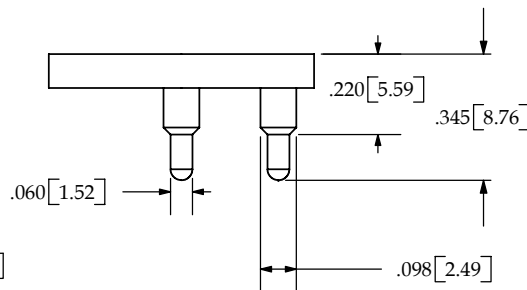
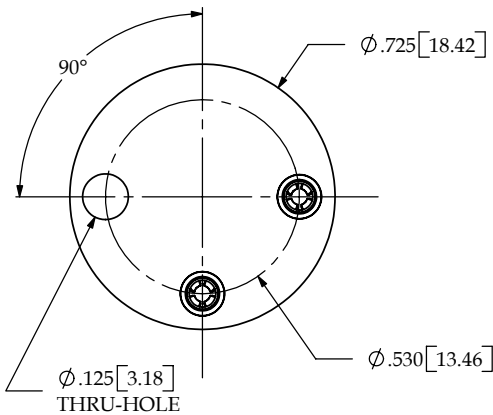
Accepts
.016" [1.40 mm]-.022" [.55 mm] Pins

Figure 22: R140-0404-01-XXXX-R15-L14

-01S Thru-Hole Terminal Style Shown. -93S Surface Mount Available, See Page 11 for Terminal Detail Drawings

TOP VIEW

FRONT VIEW



Accepts
.048" [1.21 mm]-.064" [1.63 mm] Pins

Figure 23: R530-SP02-01-XXXX-R15-L14

-436P55 Thru-Hole Terminal Style Shown. -440P55 Surface Mount Available, See Page 11 for Terminal Detail Drawings

Dimensions are shown in Inches [Millimeters] We reserve the right to change specifications without notice.
©Copyright 2008 Andon Electronics Corporation. All Rights Reserved. This material is protected under U.S. and other copyrights and may not be copied, sold or redistributed in any form without the written permission of Andon Electronics Corporation.

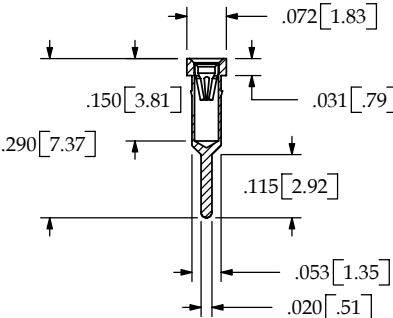
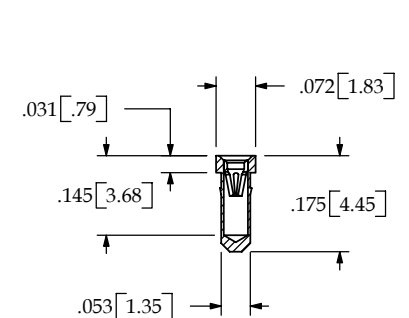
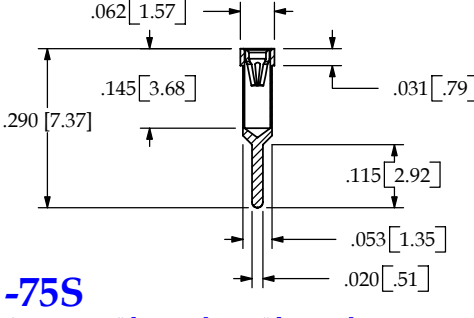
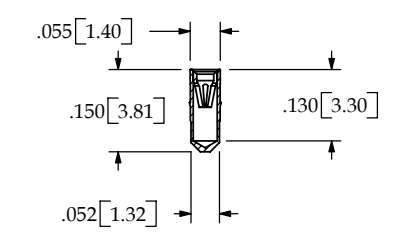
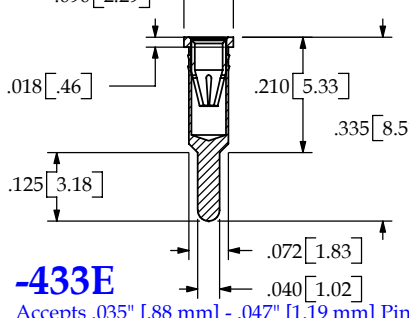
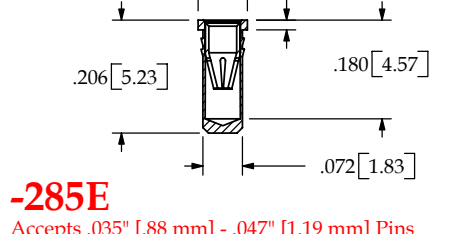
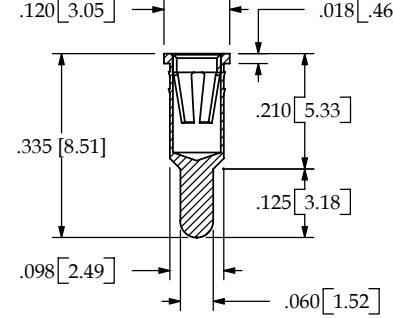
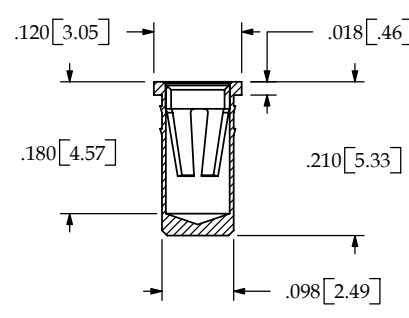
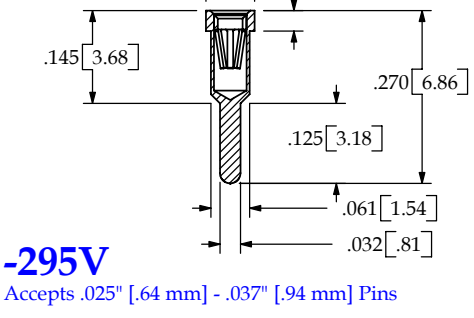
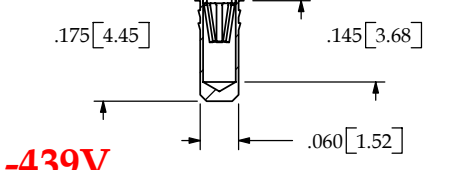
GSCFD-8
05/22/08
PAGE 10



ISO 9001:2000
CERTIFIED

RoHS COMPLIANT

Gas Sensor Socket Terminal Details

 <p>-01S Accepts .016" [.40 mm] - .022" [.55 mm] Pins</p>	 <p>-93S Accepts .016" [.40 mm] - .022" [.55 mm] Pins</p>	 <p>-75S Accepts .016" [.40 mm] - .022" [.55 mm] Pins</p>
 <p>-265S Accepts .016" [.40 mm] - .022" [.55 mm] Pins</p>	 <p>-433E Accepts .035" [.88 mm] - .047" [1.19 mm] Pins</p>	 <p>-285E Accepts .035" [.88 mm] - .047" [1.19 mm] Pins</p>
 <p>-436P55 Accepts .048" [1.21 mm] - .064" [1.63 mm] Pins</p>	 <p>-440P55 Accepts .048" [1.21 mm] - .064" [1.63 mm] Pins</p>	 <p>-295V Accepts .025" [.64 mm] - .037" [.94 mm] Pins</p>
<p>Technical Information Material: Insulator: -L14 Black FR4 Laminate (other insulators available) Terminal: Brass, Per ASTM-B16 Contact: Heat-treated Beryllium Copper, per ASTM-B194</p> <p>Plating: R15: Terminal: Gold 10µ" Minimum Contact: Gold 30µ" Minimum</p>		 <p>-439V Accepts .025" [.64 mm] - .037" [.94 mm] Pins</p>

Dimensions are shown in Inches [Millimeters] We reserve the right to change specifications without notice.
 ©Copyright 2008 Andon Electronics Corporation. All Rights Reserved. This material is protected under U.S. and other copyrights and may not be copied, sold or redistributed in any form without the written permission of Andon Electronics Corporation.

GSCTD-1
05/22/08
PAGE 11



ANDON
INTERCONNECTION SPECIALISTS



**ISO 9001:2000
CERTIFIED**

RoHS COMPLIANT

At Andon Electronics we provide interconnection components that help companies to cost effectively protect, assemble, test and replace their semiconductor devices.



- PGA SOCKETS & ADAPTERS
- BGA SOCKETS & ADAPTERS
- SMD SOCKETS & ADAPTERS
- DIP SOCKETS & ADAPTERS
- SIP SOCKETS & ADAPTERS
- FUSE SOCKETS
- TERMINALS AND TEST JACKS
- LCC SOCKETS
- PLCC SOCKETS
- IMAGE SENSOR SOCKETS
- GAS SENSOR SOCKETS
- OPTOELECTRONIC SOCKETS
- CARRIER SOCKETS
- BATTERY SOCKETS
- TEST SOCKETS

We offer custom as well as our standard catalog items.

Our intention is to be your one stop for all of your interconnection requirements

Please visit our website at www.andonelect.com. If you have any questions please do not hesitate to contact us.

Contact: Customer Service

Phone: (401) 333-0388

Fax (401) 333-0287

e-mail: info@andonelect.com



ANDON ELECTRONICS CORPORATION
4 COURT DRIVE LINCOLN, RI 02865 USA

TEL: (401) 333-0388 FAX: (401) 333-0287
EMAIL: Info@andonelect.com
WEB: www.andonelect.com



Distributed Worldwide.



ANDON ELECTRONICS CORPORATION

4 Court Drive Lincoln, RI 02865 USA
Tel: 401-333-0388 Fax: 401-333-0287
E-mail: info@andonelect.com
Web Site: www.andonelect.com