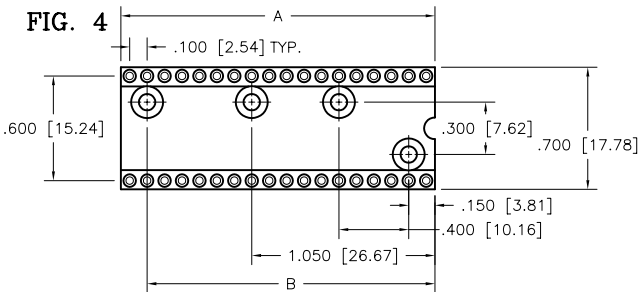
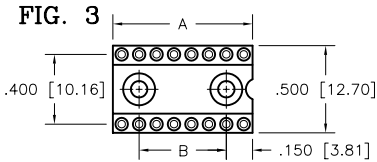
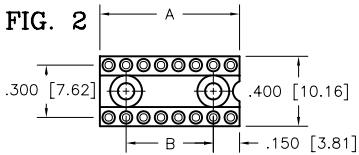
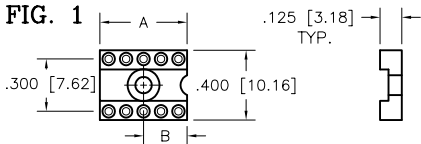
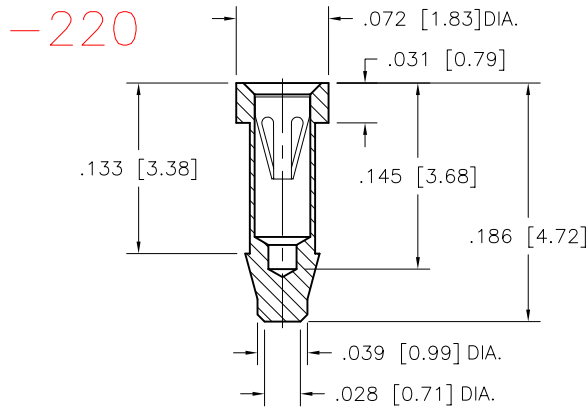


FLOATING TERMINAL SOCKETS (SOLID FRAME)

AVAILABLE WITH AND WITHOUT MOUNTING HOLES

WAFER CHART				
	PIN	DIM "A"	DIM "B"	
FIG. 1	6	.300 [7.62]	.150 [3.81]	306
	8	.400 [10.16]	.200 [5.08]	308
	10	.500 [12.70]	.250 [6.35]	310
FIG. 2	14	.700 [17.78]	.400 [10.16]	314
	16	.800 [20.32]	.500 [12.70]	316
	18	.900 [22.86]	.600 [15.24]	318
	20	1.000 [25.40]	.700 [17.78]	320
	24	1.200 [30.48]	.900 [22.86]	324
FIG. 3	16	.800 [20.32]	.500 [12.70]	416
	22	1.100 [27.94]	.800 [20.32]	422
FIG. 4	24	1.200 [30.48]		624
	28	1.400 [35.56]		628
	30	1.500 [38.10]		630
	32	1.600 [40.64]		632
	36	1.800 [45.72]	1.650 [41.91]	636
	40	2.000 [50.80]	1.650 [41.91]	640



TECHNICAL SPECIFICATIONS

MATERIAL INSULATOR GLASS FILLED NYLON 46
UL 94V-0 LISTED

TERMINAL CONTACT BRASS PER ASTM-B16
BeCu PER ASTM-B194

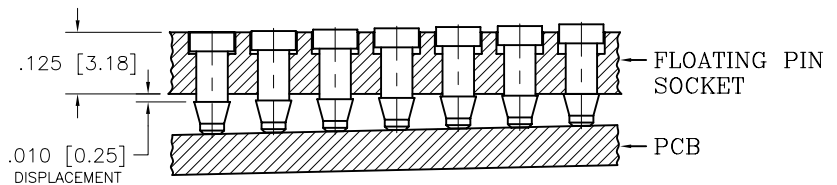
OPERATING TEMP. -65°C TO +150°C

CONTACT FORCES

INSERTION STANDARD 9 oz. AVG.

WITHDRAWAL STANDARD 2 oz. MIN.

APPLICATION



CONTACT TYPE

S: STANDARD DIP	INSERTION FORCE	9.0 oz. AVG.
	WITHDRAWAL FORCE	2.0 oz. MIN.
M: STANDARD PGA	INSERTION FORCE	1.6 oz. MAX.
	WITHDRAWAL FORCE	0.5 oz. MIN.
L: INTERSTITIAL PGA	INSERTION FORCE	1.0 oz. MAX.
	WITHDRAWAL FORCE	0.3 oz. MIN.
H: HIGH FORCE	INSERTION FORCE	18.3 oz. MAX.
	WITHDRAWAL FORCE	4.2 oz. MIN.

ORDERING INFORMATION

