

EVE ENERGY CO., LTD						
EVE ENERGY CO., LTD Model Number	Andon Part Number Replace "XXX" with Terminal Type	Terminal Type		Pin Ø [in]	Figure Number	Page Number
		Thru-Hole	Surface Mount			
EF651615	C10-710-04-01-XXX-R27-L14	295V	439V	.030	1	1
EF651615T	C10-710-04-01-XXX-R27-L14	295V	439V	.030	1	1
EF702338	C10-16214-04-01-XXX-R27-L14	295V	439V	.030	2	1
EF651625T	C10-1110-04-01-XXX-R27-L14	295V	439V	.030	3	1
EF651620	C10-93710-04-01-XXX-R27-L14	295V	439V	.030	4	1
ER2450T	BS-2450-02-XXX-R32-D14	280V	N/A	.030	5	2
ER22G68	BS-2450-02-XXX-R32-D14	280V	N/A	.030	5	2
ER32L100	BS-5134-03-XXX-R32-D14	280V	N/A	.030	6	2
ER32L65	BS-5134-03-XXX-R32-D14	280V	N/A	.030	6	2
ER1860	BS-5186-02-XXX-R32-D14	280V	N/A	.030	7	2

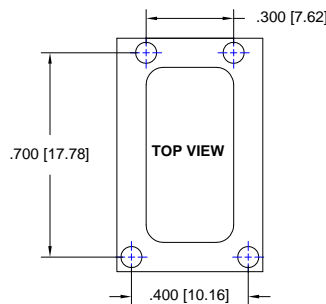


FIG: 1
Thru-Hole: C10-710-04-01-295V-R27-L14
Surface Mount: C10-710-04-01-439V-R27-L14

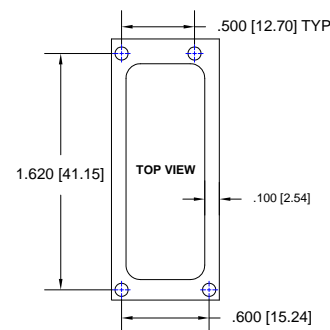


FIG: 2
Thru-Hole: C10-16214-04-01-295V-R27-L14
Surface Mount: C10-16214-04-01-439V-R27-L14

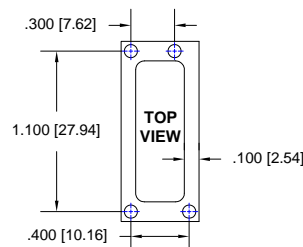


FIG: 3
Thru-Hole: C10-1110-04-01-295V-R27-L14
Surface Mount: C10-1110-04-01-439V-R27-L14

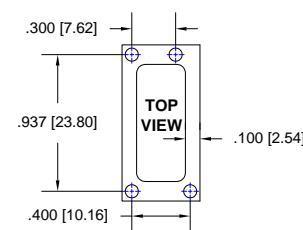
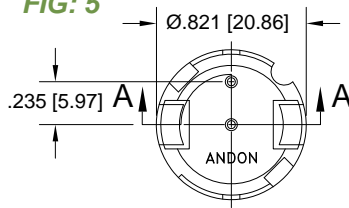


FIG: 4
Thru-Hole: C10-93710-04-01-295V-R27-L14
Surface Mount: C10-93710-04-01-439V-R27-L14

EVE ENERGY CO., LTD Continued
Socket Terminal Details
Cross Section View Shown Units: in [mm]

FIG: 5



Andon Socket:
BS-2450-02-XXX-XXX-D14
(For plating/terminal options See Below)
Batteries Accepted:
Tadiran TL-2450
Tadiran TLH-2450

CELL SIZE
2450

SECTION A-A

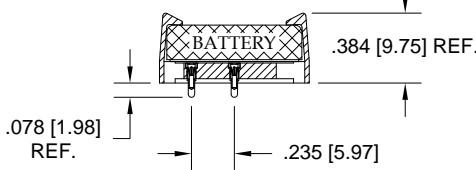
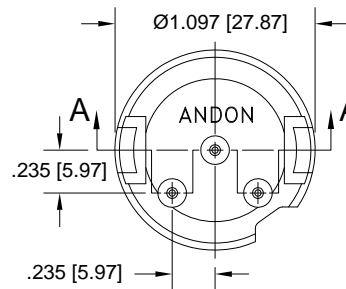


FIG: 6



Andon Socket:
BS-5134-03-XXX-XXX-D14
(For plating/terminal options See Below)
Batteries Accepted:
Tadiran TL-2134
Tadiran TL-4934
Tadiran TL-5134
Tadiran TL-5934
Tadiran TLH-5934
OmniCel ER32L65
OmniCel ER49L65
BiPower ER32065

CELL SIZE
1/10 D

SECTION A-A

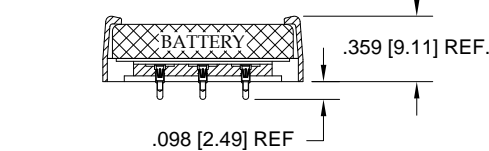
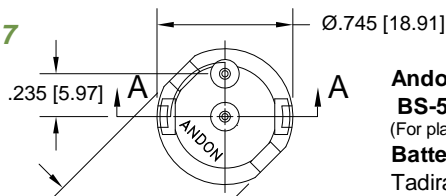


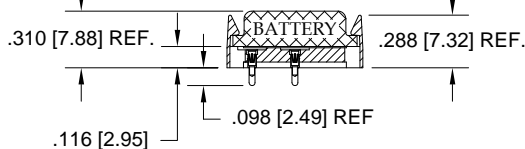
FIG: 7



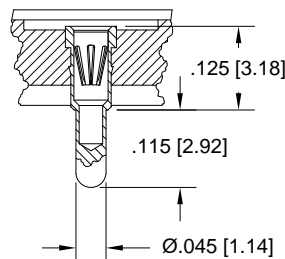
Andon Socket:
BS-5186-02-XXX-XXX-D14
(For plating/terminal options See Below)
Batteries Accepted:
Tadiran TL-2186
Tadiran TL-4986
Tadiran TL-5186
Omnicel ER22G68
BiPower ER22G68

CELL SIZE
BELL

SECTION A-A

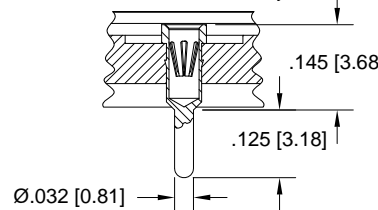


-280V Socket Assembly



Mounting Hole Diameter:
Ø .055 [1.40] - Ø.065 [1.65]
Accepts Battery Tail Length:
.135 [3.43] - .210 [5.33]
Accepts Tail Diameter:
Ø.025 [0.64] - Ø.037 [0.94]

-295V Socket Assembly



Mounting Hole Diameter:
Ø .042 [1.07] - Ø.052 [1.32]
Accepts Battery Tail Length:
.115 [2.92] - .132 [3.35]
Accepts Tail Diameter:
Ø.025 [0.64] - Ø.037 [0.94]

TECHNICAL INFORMATION

MATERIAL:

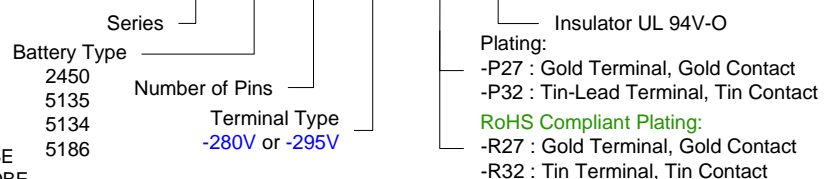
INSULATOR: UL 94V-O
TERMINAL: BRASS, PER ASTM-B16
CONTACT: BeCu, PER ASTM-B194

FORCES: (STANDARD) SEE BELOW

"V" INSERTION: 13.23 oz. MAX. WITH .026 [0.66] DIA. PROBE
WITHDRAWAL: 3.53 oz. MIN. WITH .026 [0.66] DIA. PROBE

Ordering Information

BS-XXXX-XX-XXXX-XXX-D14

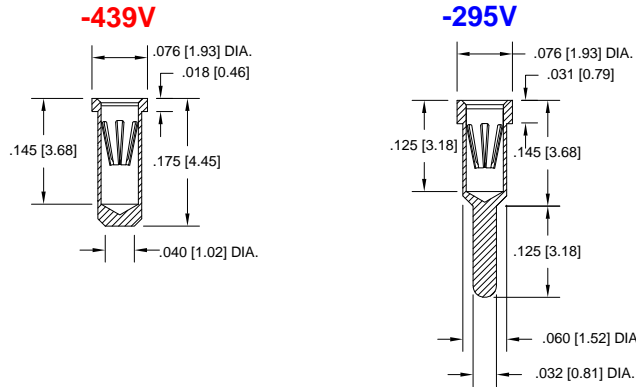


"ANDON PROPRIETARY INFORMATION"
RoHS Compliant

©Copyright 2015 Andon Electronics Corporation. All Rights Reserved. This material is protected under US and other copyrights and may not be copied, sold, or redistributed in any form without written permission of Andon Electronics Corporation. Copyrights and trademarks are property of their respective companies. We reserve the right to change specifications without notice. Andon makes no warranty, expressed or implied, as to the suitability of the sockets for the intended purpose.

*Sockets are not drawn to scale EVE ENERGY CO.,LTD 02/19/2015

EVE ENERGY CO., LTD *Continued*
Socket Terminal Details
Cross Section View Shown Units: in [mm]



Technical Information

Material:

Insulator: Hi-Temp UL 94V-O
Terminal: Brass, per ASTM-B16
Contact: BeCu, Per ASTM-B194

Plating: RoHS COMPLIANT

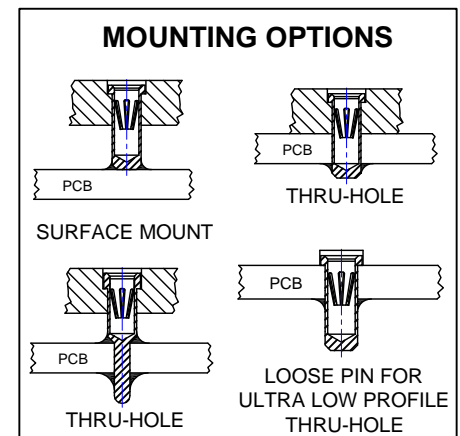
R27 TERMINAL: GOLD / CONTACT: GOLD

R17 TERMINAL: TIN / CONTACT: GOLD

OTHER PLATINGS AVAILABLE

Terminal Acceptance and Forces

Thru Hole Terminals				Surface Mount Terminals			
Thru Hole Terminal	Accepts Pin Diameter	Insertion Force	Withdrawal Force	Surface Mount Terminal	Accepts Pin Diameter	Insertion Force	Withdrawal Force
-295V	Ø.030 [Ø0.76]	13.2 oz Max	3.5 oz Min	-439V	Ø.030 [Ø0.76]	13.2 oz Max	3.5 oz Min
-280V	Ø.030 [Ø0.76]	13.2 oz Max	3.5 oz Min				



©Copyright 2015 Andon Electronics Corporation. All Rights Reserved. This material is protected under US and other copyrights and may not be copied, sold, or redistributed in any form without written permission of Andon Electronics Corporation. Copyrights and trademarks are property of their respective companies. We reserve the right to change specifications without notice. Andon makes no warranty, expressed or implied, as to the suitability of the sockets for the intended purpose.

"ANDON PROPRIETARY INFORMATION"
RoHS Compliant

*Sockets are not drawn to scale EVE ENERGY CO.,LTD 02/19/2015