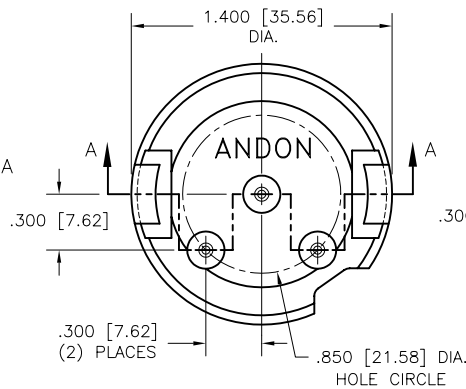
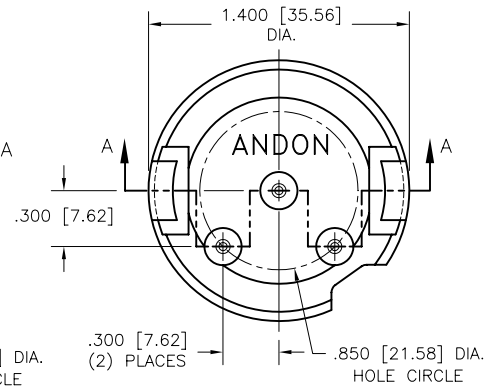


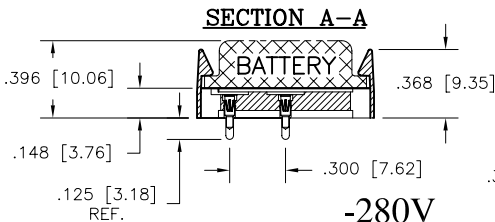
ACCEPTS TADIRAN®
TL-5186
(# TL-2186 & TL-4986)



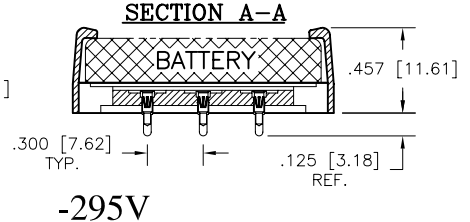
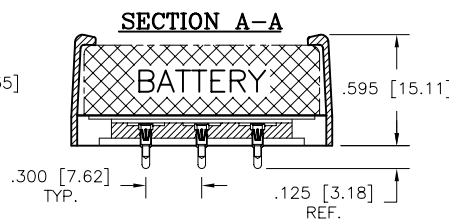
ACCEPTS TADIRAN®
TL-5135
(# TL-2135 & TL-4935)



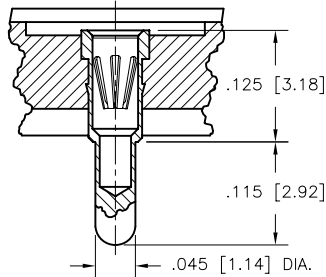
ACCEPTS TADIRAN®
TL-5134
(# TL-2134 & TL-4934)



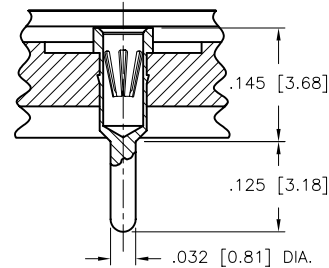
-280V
SOCKET ASSEMBLY



-295V
SOCKET ASSEMBLY



MOUNTING HOLE ϕ
.055 [1.40] / .065 [1.65] DIA.
ACCEPTS BATTERY TAIL LENGTH
.135 [3.43] / .210 [5.33]
ACCEPTS TAIL DIA.
.025 [2.64] / .037 [094]



MOUNTING HOLE ϕ
.042 [1.07] / .052 [1.32] DIA.
ACCEPTS BATTERY TAIL LENGTH
.115 [2.92] / .132 [3.35]
ACCEPTS TAIL DIA.
.025 [2.64] / .037 [094]

TECHNICAL SPECIFICATIONS

MATERIALS:
INSULATOR: UL 94V-0
TERMINAL: BRASS, PER ASTM-B16
PLATED TIN- LEAD OR
PLATED GOLD
OR PLATED TIN (RoHS COMPLIANT)
CONTACT: BeCu, PER ASTM-B194
PLATED TIN OR
PLATED GOLD

ORDERING INFORMATION

BS-XXXX-XX-2XXV-PXX-D14

SERIES ————
BATTERY TYPE ————
NO. OF PINS ————
TERMINAL ASSEMBLY NO. ————

INSULATOR UL 94V-0
PLATING: TERMINAL / CONTACT
P27: GOLD / GOLD
P32: TIN-LEAD / TIN

R (RoHS COMPLIANT)
TERMINAL: TIN PLATING

5186
5135
5134

280V
295V