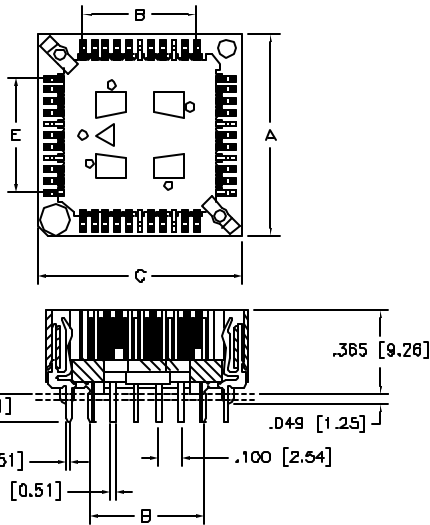


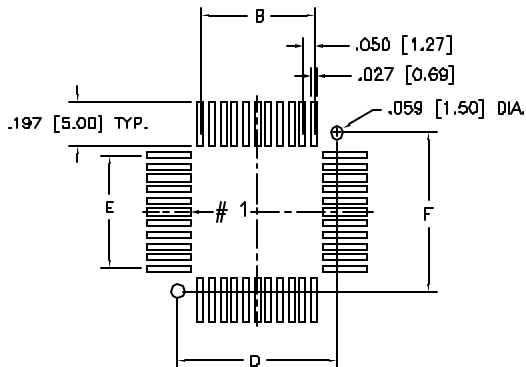
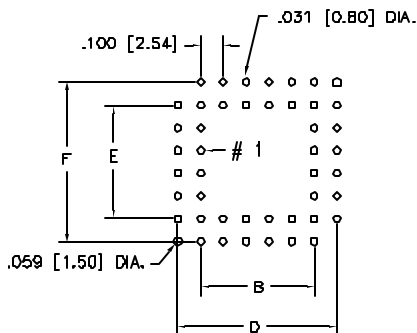
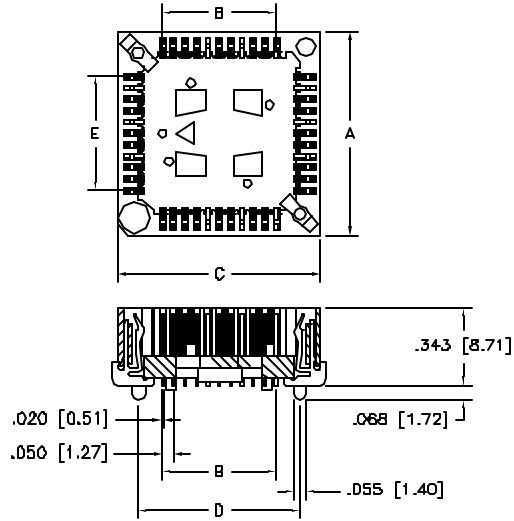


**SERIES 700 & 710 HIGH-REL PLCC  
LEADED CHIP CARRIER SOCKET**

**700 SERIES  
SOLDERTAIL-TYPE**



**710 SERIES  
SURFACE MOUNT-TYPE**



**PC-BOARD LAYOUT**

**PC-BOARD LAYOUT**

NO. OF PINS	A	B	C	D	E	F
28	.693 [17.60]	.300 [7.62]	.693 [17.60]	.500 [12.70]	.300 [7.62]	.500 [12.70]
* 32	.693 [17.60]	.400 [10.16]	.793 [20.14]	.600 [15.24]	.300 [7.62]	.500 [12.70]
44	.893 [22.68]	.500 [12.70]	.893 [22.68]	.700 [17.78]	.500 [12.70]	.700 [17.78]
52	.993 [25.22]	.600 [15.24]	.993 [25.22]	.800 [20.32]	.600 [15.24]	.800 [20.32]
68	1.193 [30.30]	.800 [20.32]	1.193 [30.30]	1.000 [25.40]	.800 [20.32]	1.000 [25.40]
84	1.393 [35.38]	1.000 [25.40]	1.393 [35.38]	1.200 [30.48]	1.000 [25.40]	1.200 [30.48]

\*THE 32 PIN SOCKET IS RECTANGULAR

**TECHNICAL SPECIFICATIONS**

INSULATOR: PPS, UL 94 V-0  
CONTACT MATERIAL: PHOSPHOR BRONZE  
CONTACT FINISH: -T1: TIN MATTE OVER Ni (LEAD FREE)  
CONTACT SPACING: .050 IN. [1.27 mm]  
OPERATING TEMP.: -65°C TO +220°C  
DIMENSIONS ARE SHOWN IN INCHES [MILLIMETERS]

**ORDERING INFORMATION**

XXX-XX-XXX-T1  
SERIES: 700: SOLDER TAIL TYPE; 710: SURFACE MOUNT TYPE  
PLATING: TIN (LEAD FREE)  
TYPE: TH: SOLDER TAIL W/O INDEX PIN; TH1: INDEX PIN BETWEEN PIN 03 & 54; TH2: INDEX PIN BETWEEN PIN 11 & 12; TH3: 2 INDEX PINS DIAGONAL; SM: SURFACE MOUNT W/O INDEX PIN; SM1: INDEX PIN BETWEEN PIN 53 & 54; SM2: INDEX PIN BETWEEN PIN 11 & 12; SM3: 2 INDEX PINS DIAGONAL  
NO. OF PINS

**RoHS COMPLIANT**

©COPYRIGHT 2006 ANDON ELECTRONICS CORP. ALL RIGHTS RESERVED.  
THIS MATERIAL IS PROTECTED BY U.S. AND OTHER COPYRIGHTS AND  
MAY NOT BE COPIED, SOLD OR REDISTRIBUTED IN ANY FORM  
WITHOUT THE WRITTEN PERMISSION OF ANDON ELECTRONICS CORP.

DIMENSIONS ARE SHOWN IN INCHES [MILLIMETERS]  
WE RESERVE THE RIGHT TO CHANGE SPECIFICATIONS WITHOUT NOTICE. 700&710-DSLF 11-2-06