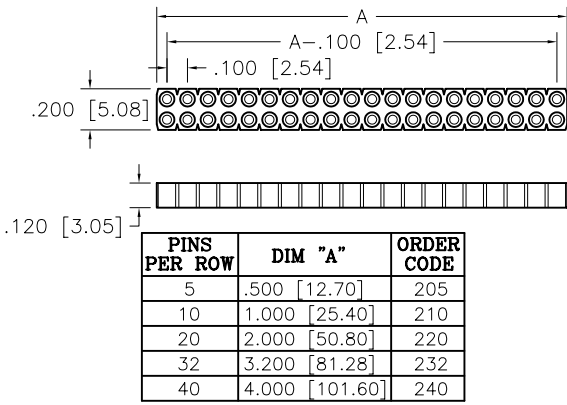


TWIN STRIP WAFER



* OTHER PIN QUANTITIES AVAILABLE

SERIES 351 TERMINALS

TERMINAL CHART			
TERMINAL	FIG.	DIM "A"	DIM "B"
-01	D	.115 [2.92]	.020 [0.51]
-02	C	.370 [9.40]	.025 [0.64]
-03	C	.510 [12.95]	.025 [0.64]
-08	D	.170 [4.31]	.020 [0.51]
-09	D	.280 [7.11]	.020 [0.51]
-11	D	.135 [3.43]	.020 [0.51]
-94	D	.125 [3.17]	.018 [0.46]

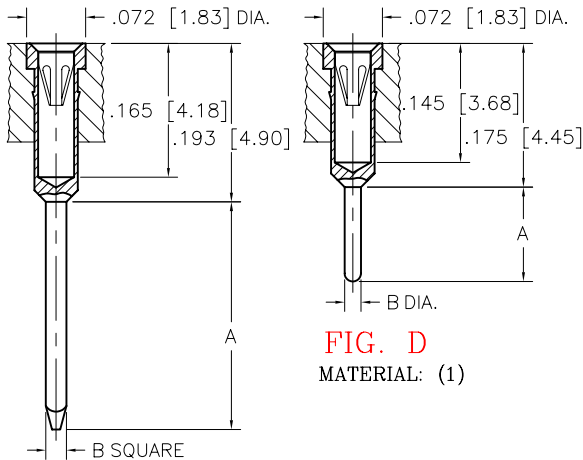
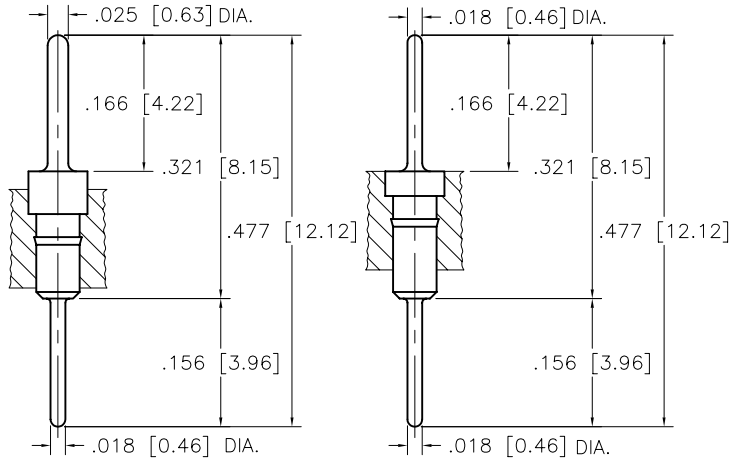


FIG. D
MATERIAL: (1)

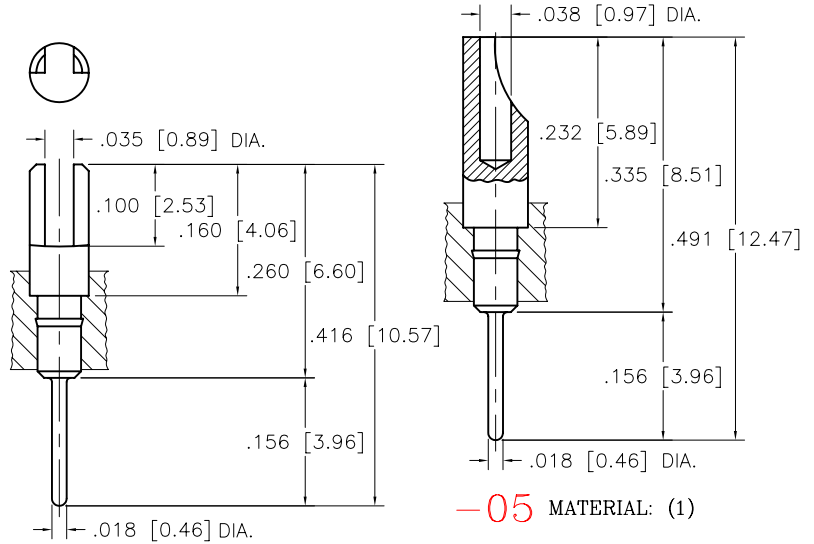
FIG. C
MATERIAL: (1)

SERIES 355 TERMINALS



-37 MATERIAL: (1)
-04 MATERIAL: (2)

-77 MATERIAL: (2)



-06 MATERIAL: (2)

-05 MATERIAL: (1)

CONTACT TYPE

S: STANDARD DIP	INSERTION FORCE	9.0 oz. AVG.
	WITHDRAWAL FORCE	2.0 oz. MIN.
M: STANDARD PGA	INSERTION FORCE	1.6 oz. MAX.
	WITHDRAWAL FORCE	0.5 oz. MIN.
L: INTERSTITIAL PGA	INSERTION FORCE	1.0 oz. MAX.
	WITHDRAWAL FORCE	0.3 oz. MIN.
H: HIGH FORCE	INSERTION FORCE	18.3 oz. MAX.
	WITHDRAWAL FORCE	4.2 oz. MIN.

TECHNICAL SPECIFICATIONS

MATERIAL INSULATOR	GLASS FILLED POLYESTER UL 94V-0 LISTED	
TERMINAL MATERIAL:	(1) BRASS PER ASTM-B16	
	(2) PHOSPHOR BRONZE PER ASTM-B139	
CONTACT	BeCu PER ASTM-B194	
OPERATING TEMP.	-65°C TO +125°C	
CONTACT FORCES		
INSERTION	STANDARD	9 oz. AVG.
WITHDRAWAL	STANDARD	2 oz. MIN.

ORDERING INFORMATION

