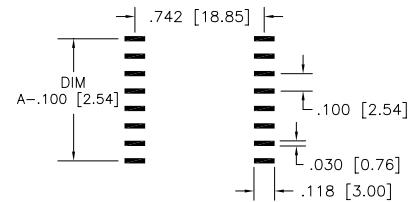
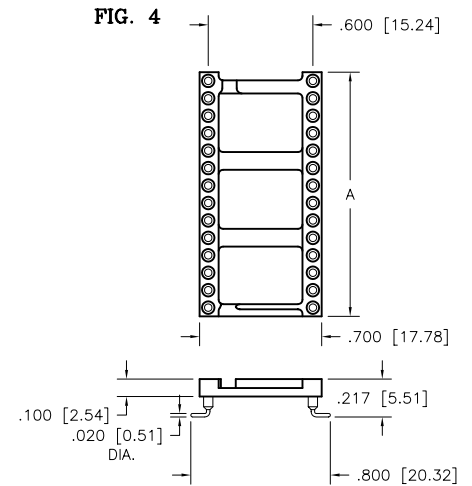
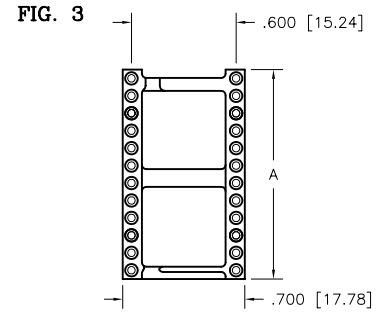
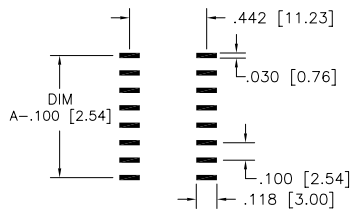
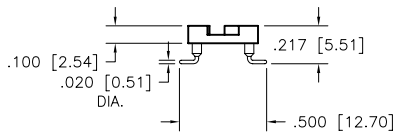
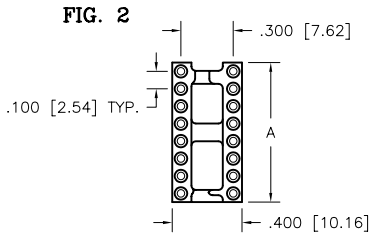
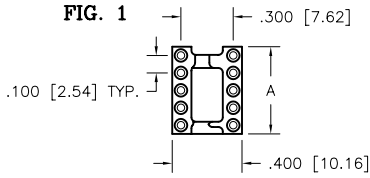


WAFER CHART			
	PIN	DIM "A"	
FIG. 1	6	.300 [7.62]	306
	8	.400 [10.16]	308
	10	.500 [12.70]	310
FIG. 2	14	.700 [17.78]	314
	16	.800 [20.32]	316
	18	.900 [22.86]	318
	20	1.000 [25.40]	320
	22	1.100 [27.94]	322
	24	1.200 [30.48]	324
	28	1.400 [35.56]	328
FIG. 3	24	1.200 [30.48]	624
FIG. 4	28	1.400 [35.56]	628
	30	1.500 [38.10]	630
	32	1.600 [40.64]	632
	36	1.800 [45.72]	636
	40	2.000 [50.80]	640
	48	2.400 [60.96]	648



**P.C.B. FOOTPRINT**

**TECHNICAL SPECIFICATIONS**

**MATERIAL INSULATOR** HIGH TEMP. GREY NYLON 46  
UL 94V-0

**TERMINAL CONTACT** BRASS PER ASTM-B16  
BeCu PER ASTM-B194

**OPERATING TEMP.** -65° TO 150°

**CONTACT FORCES**

**INSERTION** STANDARD 9 oz. AVG.  
**WITHDRAWAL** STANDARD 2 oz. MIN.

**ORDERING INFORMATION**

**219-XXX-232S-PXX-Y10**

**SERIES** ————

**DIP - SPACING** ————

**NO. OF PINS** ————

**PLATING: TERMINAL / CONTACT**  
P30: GOLD / GOLD  
P31: TIN-LEAD / GOLD  
P32: TIN-LEAD / TIN  
OTHER PLATINGS AVAILABLE  
SEE OPTIONAL PLATING

**TERMINAL ASSEMBLY**